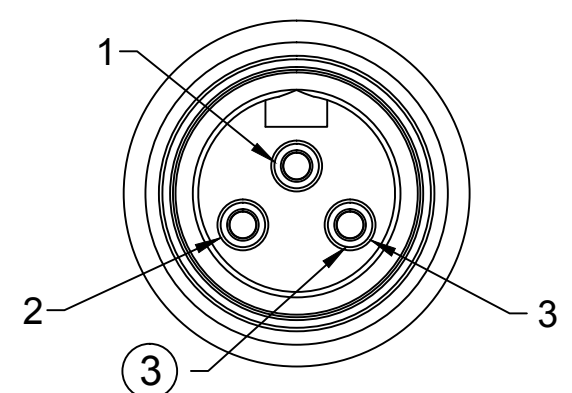
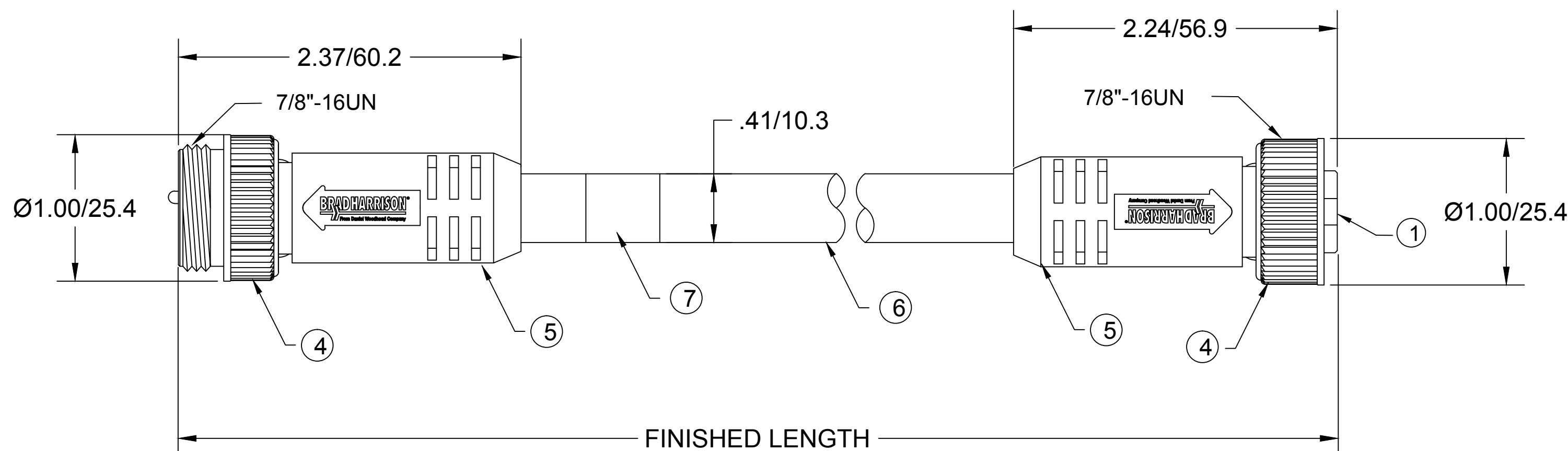
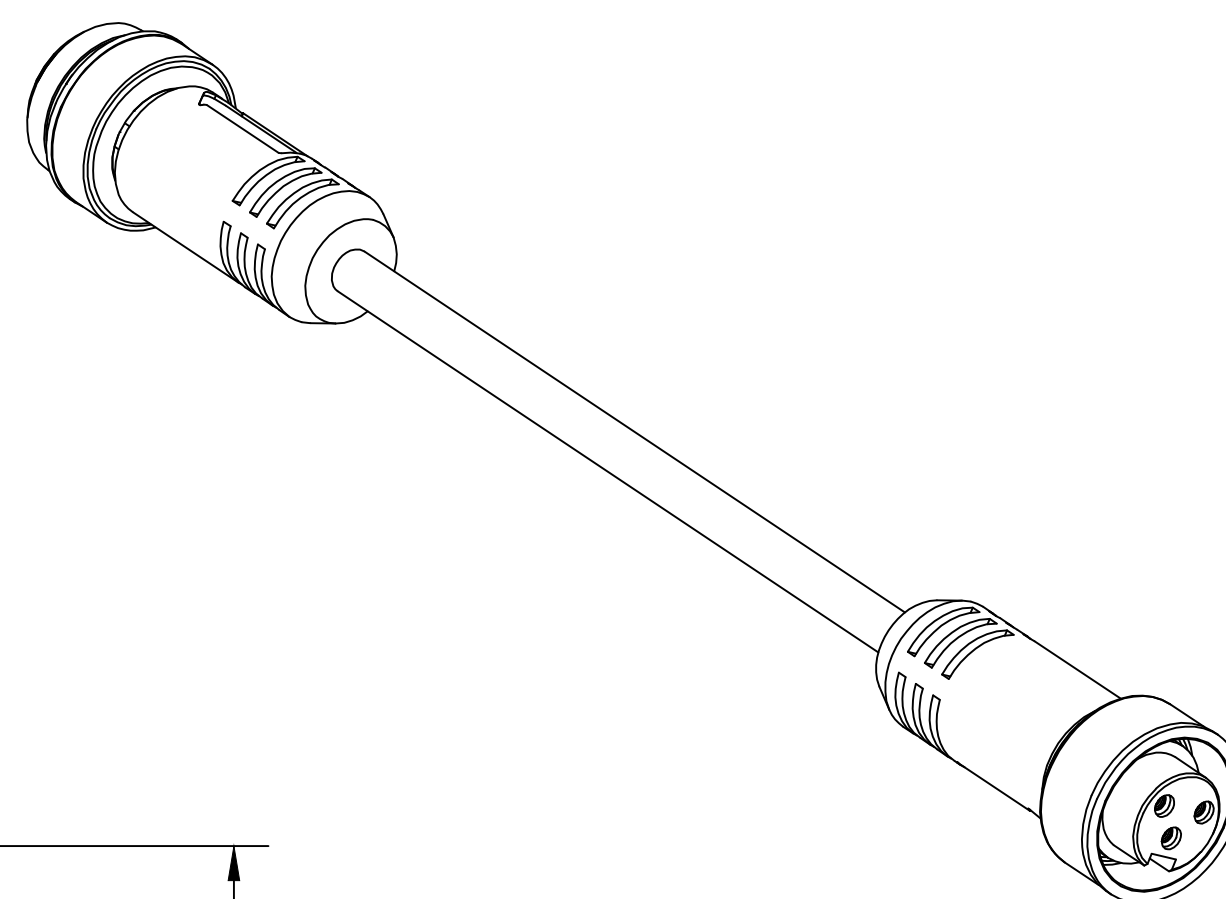
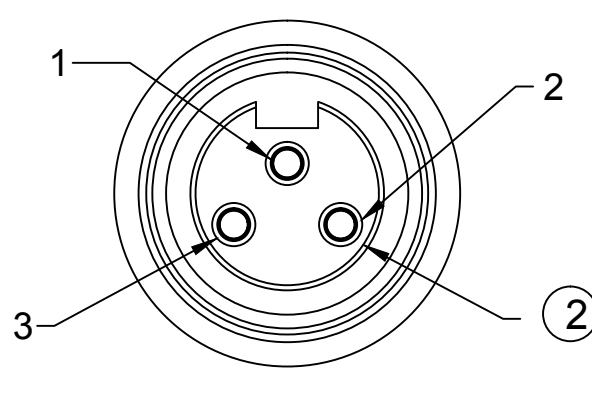


VOLTAGE RATING	600 VAC/VDC
AMPERAGE RATING	13 AMPS
PROTECTION	IP67
OPERATING TEMPERATURE	-20°C TO 105°C
UL CERTIFICATIONS	UL RECOGNIZED, FILE NO. E152210



MALE FACE VIEW



FEMALE FACE VIEW

1	GREEN-YELLOW	1
2	BLACK	2
3	WHITE	3

WIRING DIAGRAM

113030K13XXXX

LENGTH
M010 - 1 METER
M100 - 10 METER
F050 - 5 FEET
F500 - 50 FEET
T=100 METER
T001 - 101 METER
T010 - 110 METER

ITEM	COMPONENT	MATERIAL	FINISH
1	INSERT	PVC	YELLOW
2	CONTACT SOCKET	COPPER ALLOY	GOLD OVER NICKEL
3	CONTACT PIN	COPPER ALLOY	GOLD OVER NICKEL
4	COUPLING NUT	ZINC DIE CAST	BLACK E-COATED
5	OVERMOLD	PVC	YELLOW
6	CABLE- 16AWG, (65 X #34 COPPER STRANDING), 3 CONDUCTOR, 600V, TC-ER	TPE	YELLOW
7	LABEL	MYLAR	BLACK/YELLOW

ADDED MATRIX EC NO: IPG2016-0242 DRWN: BARDEN 2015/08/12 CH'KD: TWOLDEGE 2015/08/12 APPR: JFMURPHY 2015/08/12	QUALITY SYMBOL ▽=0 ▽=0	GENERAL TOLERANCES (UNLESS SPECIFIED)		DIMENSION STYLE	SCALE	DESIGN UNITS	THIRD ANGLE PROJECTION			
			mm	INCH	IN/MM	###	INCH			
		4 PLACES	±---	±---	BARDEN	2015/08/12	MINI-CHANGE CORDSET 3 POLE MALE/FEMALE TPE CABLE			
		3 PLACES	±---	±.005	CHECKED BY	DATE				
2 PLACES	±0.13	±.010	TWOLDEGE	2009/03/27	MOLEX INCORPORATED MOLEX					
1 PLACE	±0.25	±.020	APPROVED BY	DATE						
ANGULAR ±.5°		DRAFT WHERE APPLICABLE MUST REMAIN WITHIN DIMENSIONS		JFMURPHY	2015/08/12	MATERIAL NO.		DOCUMENT NO.		
				SEE MATRIX		SD-130010-001		SHEET NO.		
				C		THIS DRAWING CONTAINS INFORMATION THAT IS PROPRIETARY TO MOLEX INCORPORATED AND SHOULD NOT BE USED WITHOUT WRITTEN PERMISSION		1 OF 1		