

1 2 3 4 5 6

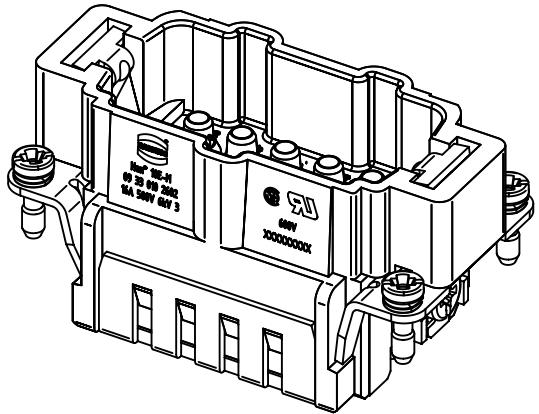
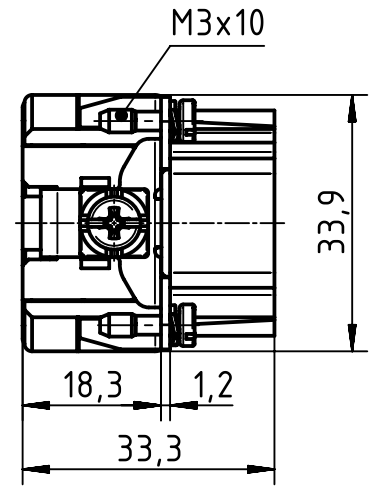
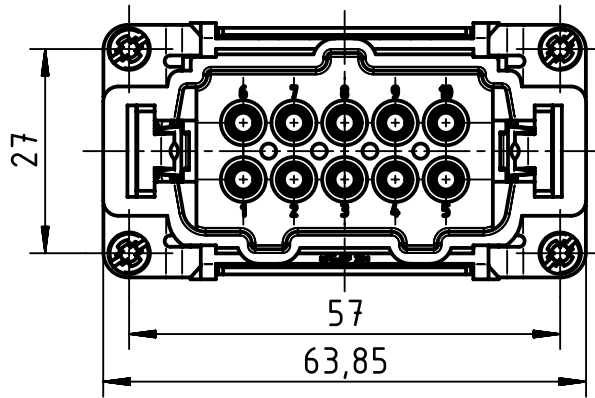
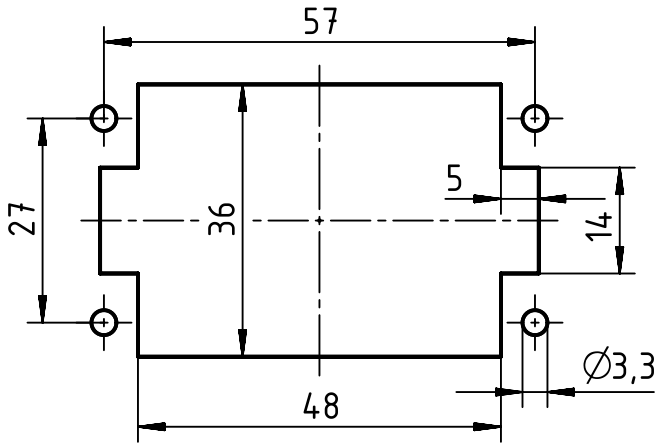
A

B

C

D

panel cut out



	All rights reserved Department EL PD - DE HARTING Electric GmbH & Co. KG D-32339 Espelkamp	All Dimensions in mm Original Size DIN A4		Scale 1:1	Free size tol.	Ref. Sub. TB 09 33 010 2602 v. 25.08.00			
		Created by RULLKOETTER	Inspected by BERGHORN	Standardisation TIEMANNA	Date 2016-02-23	State Final Release	Doc-Key / ECM-Nr. 100130168/UGD/005/A 500000099935		
Title Han 10E insert male crimp						Type TB	Number 09 33 010 2602	Rev. A	Page 1/1