

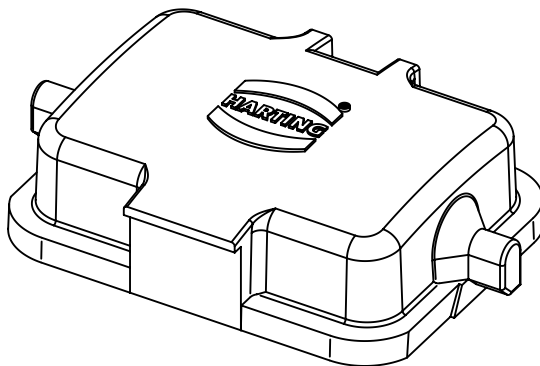
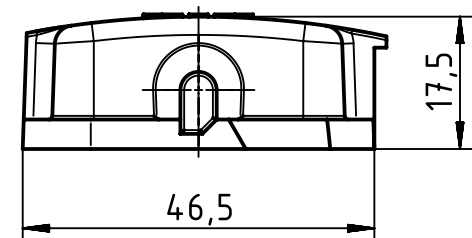
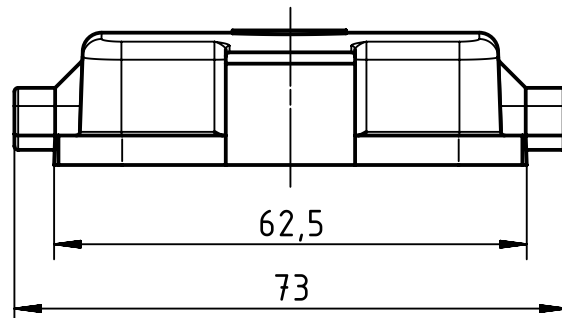
1 2 3 4 5 6

A

B

C

D



| | | | | | | | |
|---|--|-----------------|--|-----------------|-----------------|-------------------------------------|---------------|
| Coating | A= | mm ² | V= | mm ³ | m= | g | Mat. |
| | All Dimensions in mm Original Size DIN A4 | | Scale | Free size tol. | | Ref. | |
| | | | 1:1 | | | Sub. | |
| | All rights reserved Department EL PD - DE | | Created by | Inspected by | Standardisation | Date | State |
| | | | FINKEV | SUNDERMEIER | TIEMANNA | 2015-07-01 | Final Release |
| HARTING Electric GmbH & Co. KG D-32339 Espelkamp | | | Title | | | Doc-Key / ECM-Nr. | |
| | | | Han B Protect Cover Plast. for Easy-Lock | | | 100621796/UGD/000/B 500000090992 | |
| | | | Type | Number | | Rev. | Page |
| | | | TB | 09 30 006 5404 | | B | 1/1 |