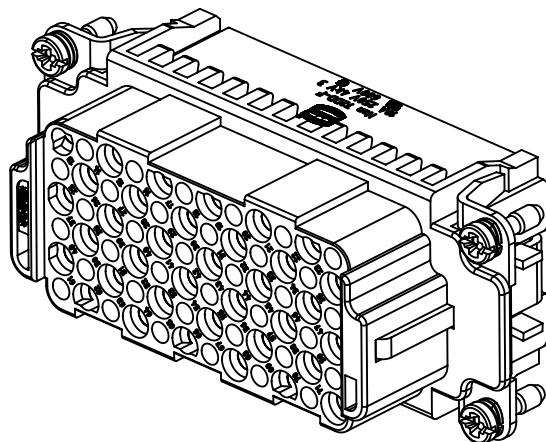
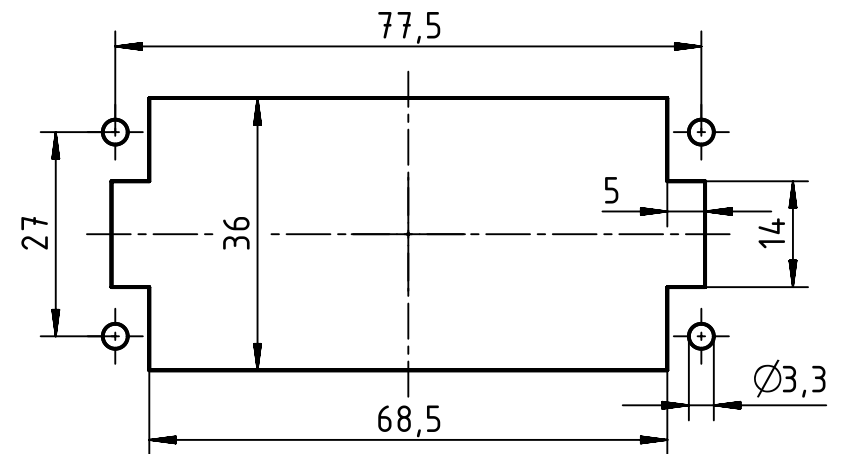



panel cut out



	All rights reserved		Created by		Inspected by		Standardisation		Date		State	
	Department EL PD - DE		MATAU		PRIESTER		TIEMANNA		2016-04-04		Final Release	
HARTING Electric GmbH & Co. KG		D-32339 Espelkamp		Title				Doc-Key / ECM-Nr.				
				Han 72 DD-BU-C				100216568/UGD/003/B				
				Type				500000098197				
				TB				Number				
								09 16 072 3101				
								Rev.		Page		
								B		1/1		