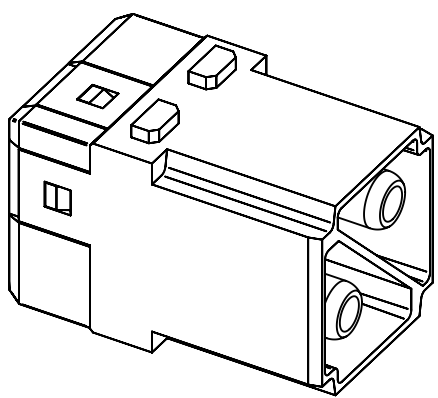
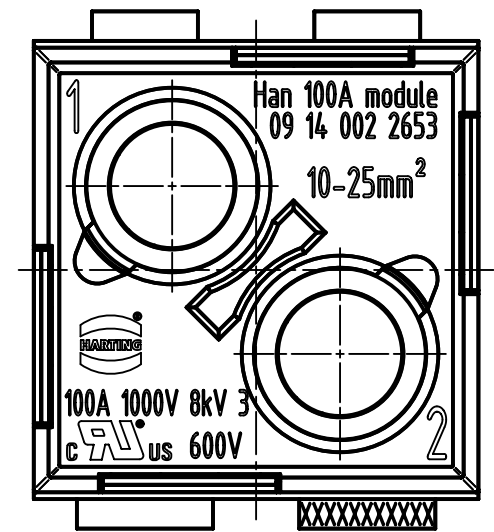
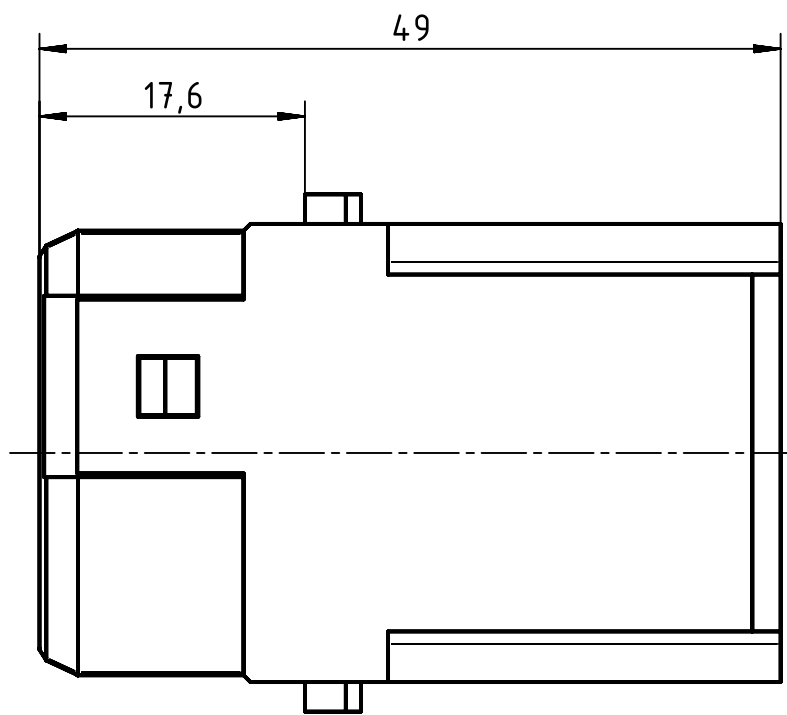
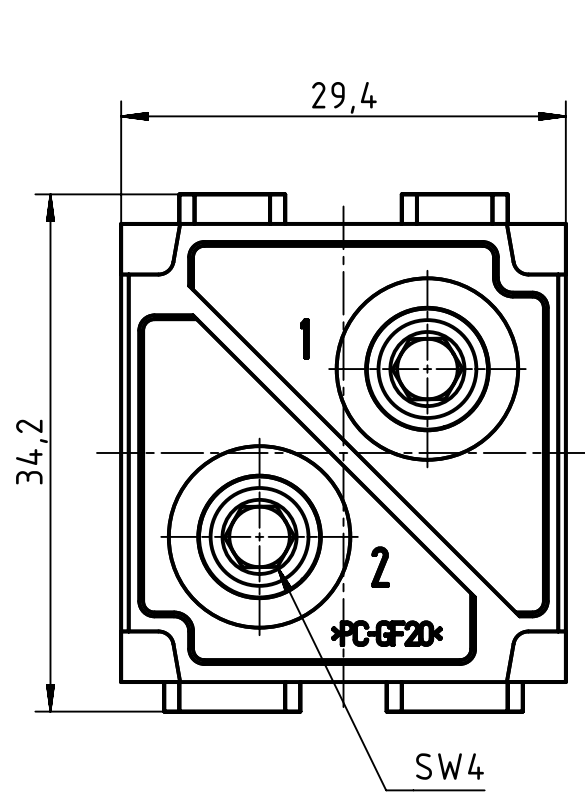


1 2 3 4 5 6

A  
B  
C  
D



Coating	A=	mm <sup>2</sup>	V=	mm <sup>3</sup>	m=	g	Mat.
All Dimensions in mm Original Size DIN A4	Scale 2:1	Free size tol.					Ref.
All rights reserved Department EL PD - DE	Created by KLASSEN P	Inspected by BERGHORN	Standardisation TIEMANNA	Date 2016-09-21	State Final Release		
HARTING Electric GmbH & Co. KG D-32339 Espelkamp		Title Han 2 Mod sti-s 100A			Doc-Key / ECM-Nr. 100195634/UGD/004/B 500000108901		
Type TB	Number 09 14 002 2653		Rev. B	Page 1/1			