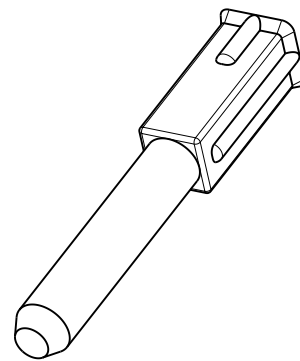
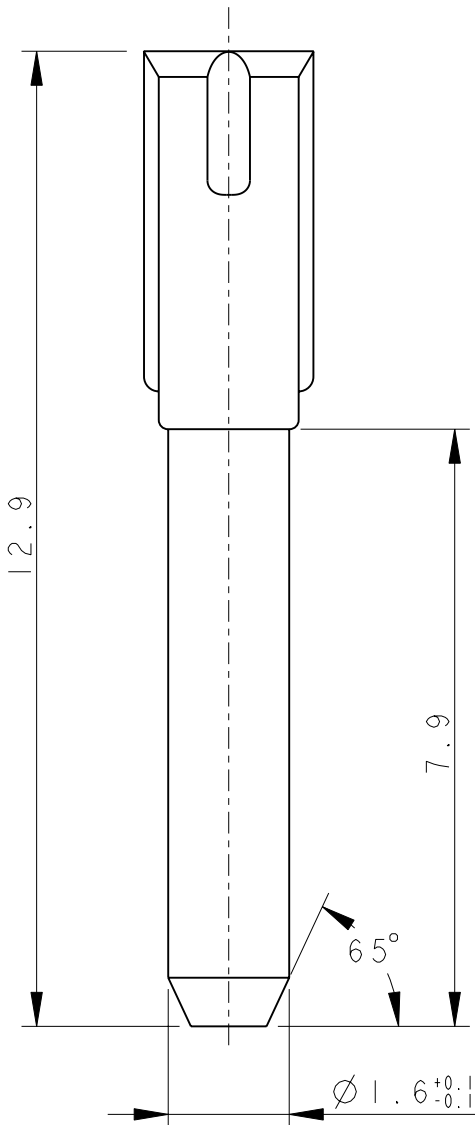
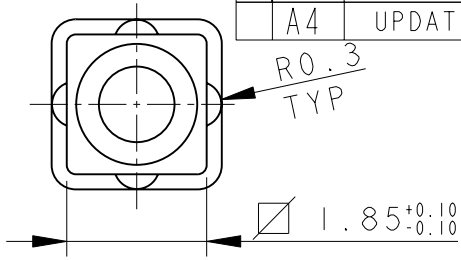


LOC	DIST	REVISIONS					
		P	LTR	DESCRIPTION	DATE	DWN	APVD
			A	FIRST ISSUE (ET00-0236-00)	11SEP2000	D.B.	A.G.
			A1	MODIFIED PART (ET00-0210-01)	28AUG01	D.B.	A.G.
			A2	RELEASED FOR PRODUCTION (ET00-0053-02)	27MAR02	F.A.	O.C.
			A3	UPDATED (ECR-07-026709)	20NOV07	F.A.	O.C.
			A4	UPDATED DRAWING (ECR-09-015687)	15JUL09	M.P.	M.G.



1 MATERIAL: PA6.6 COLOUR YELLOW
(MATERIALE: PA 6.6 COLORE GIALLO)

2- THIS P/N IS SUITABLE TO PLUG
UNUSED CAVITY ON TYCO CONNECTORS:
P/N 284272 (ALL POLARIZATIONS)
P/N 699943-1
P/N 1-1419168-1

(QUESTO CODICE E' UTILIZZATO PER TAPPARE
LE CAVITA' NON UTILIZZATE NEI CONNETTORI
TYCO:
- P/N 284272 (TUTTE LE POLARIZZAZIONI)
- P/N 699943-1
- P/N 1-1419168-1)

P/N 284583-1 AS SHOWN

THIS DRAWING IS UNPUBLISHED. 2001 RELEASED FOR PUBLICATION BY TYCO ELECTRONICS CORPORATION. ALL RIGHTS RESERVED. COPYRIGHT 2001

DIMENSIONS: mm	DWN D.BISETTI	I ISEP00	MATERIAL	FINISH
	CHK O.CANUTO	I ISEP00	AMP Italia S.p.A. C.so F.lli Cervi 15 Collegno (TO)	
TOLERANCES UNLESS OTHERWISE SPECIFIED:	APVD A.GENTA	I ISEP00		
	0 PLC ±0.3 1 PLC ±0.3 2 PLC ±0.3 3 PLC ±- 4 PLC ±- ANGLES ±2°	PRODUCT SPEC -	APPLICATION SPEC -	SIZE A4
	WEIGHT -	DRAWING NO C-284583	RESTRICTED TO -	
	CUSTOMER DRAWING	SCALE 10:1	SHEET 1	OF 1
				REV A4