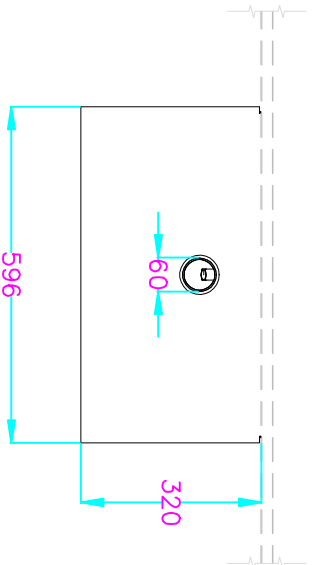
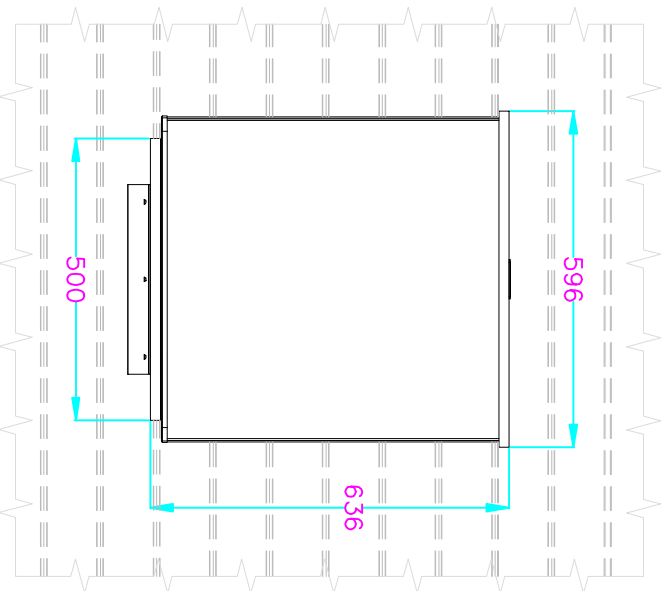


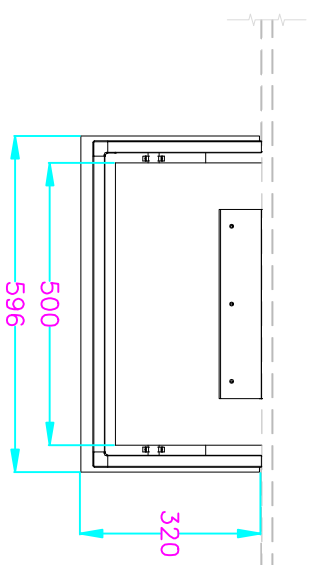
**Top View**



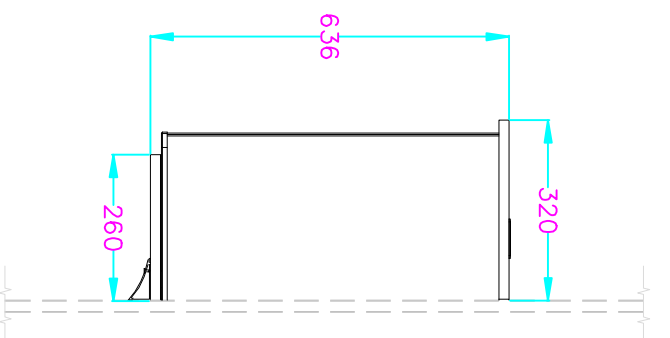
**Front elevation**



**Bottom elevation**



**End elevation**



OPAC	
Job No N/A:	Code: OPAC
Date: 19/06/2011	Scale: 1:1
Drawn: J	Revision: 0
<b>Plinkwall</b>	
Cee Gee Industries Ltd. 29 Stonedon Drive East Tamaki Auckland New Zealand.	Ph: 64-9-272-990 Fax: 64-9-272-996