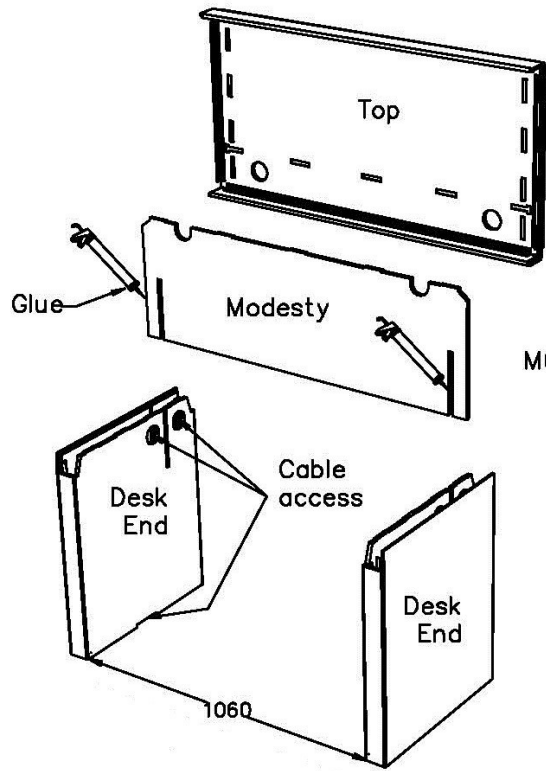
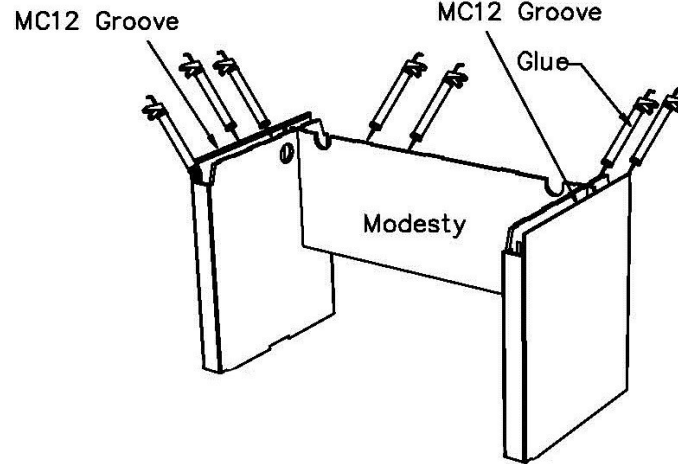
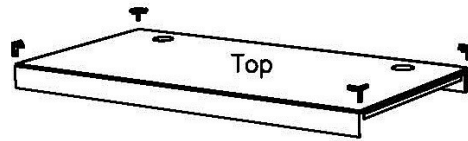


KINGSTON1206 Assembly Instruction



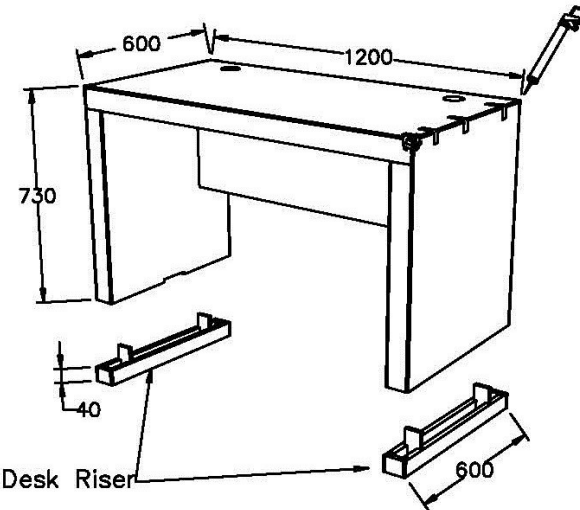
①

Apply glue on both ends and slots of modesty panel. Slide modesty panel into two desk ends to make a leg frame.



③

Apply glue on top of desk ends and modesty panel. (make sure to have sufficient glue in MC12 Groove). Glue top and desk end frame together with MC12 extrusion in place.



④

Apply glue on four corners of desk top. Slide MC31C into slots at four corners. Use tape to hold tightly corners, top and desk ends until glue is dry.

⑤

Desk riser able to be added to Junior models as well as regular where additional height desired.