

SIEGER SUKKAH SET-UP INSTRUCTIONS

6 X 6

Below is a 3-step instruction diagram of how to assemble your Sieger Sukkah™.

Your particular Sieger Sukkah™ may vary slightly depending on its dimensions.

Helpful Hint: You should start assembling from the bottom up. Make sure all joints are secure before taking the next step. You must put up the Sukkah EXACTLY like the instruction sheet or parts might seem like they are missing or that the parts are wrong.

Warning: Avoid leaving a vertical pole standing in a "FL" joint, it may fall to the side.

If you have any questions or problems, please call Ron Sieger at

877-4SUKKAH (877-478-5524)

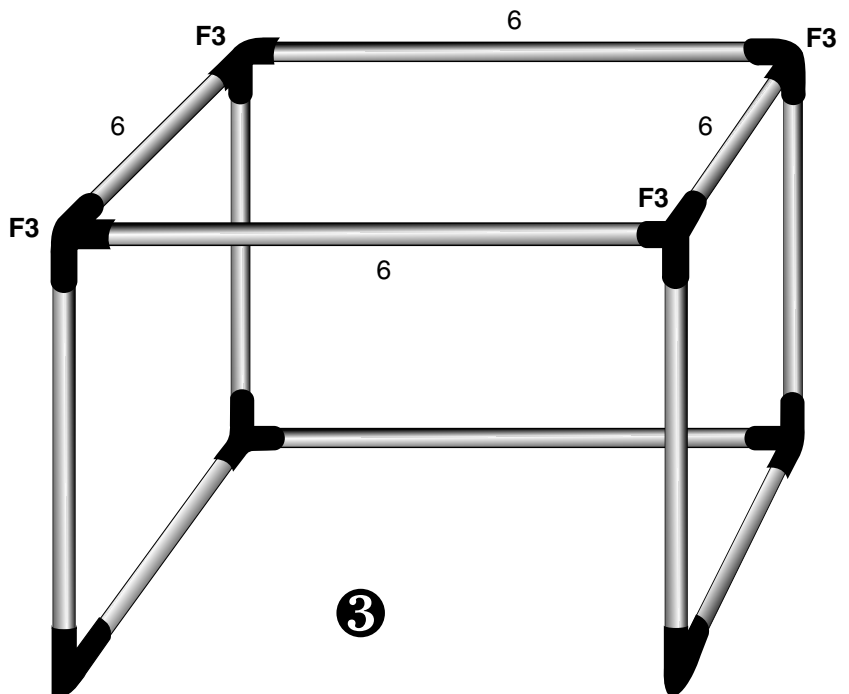
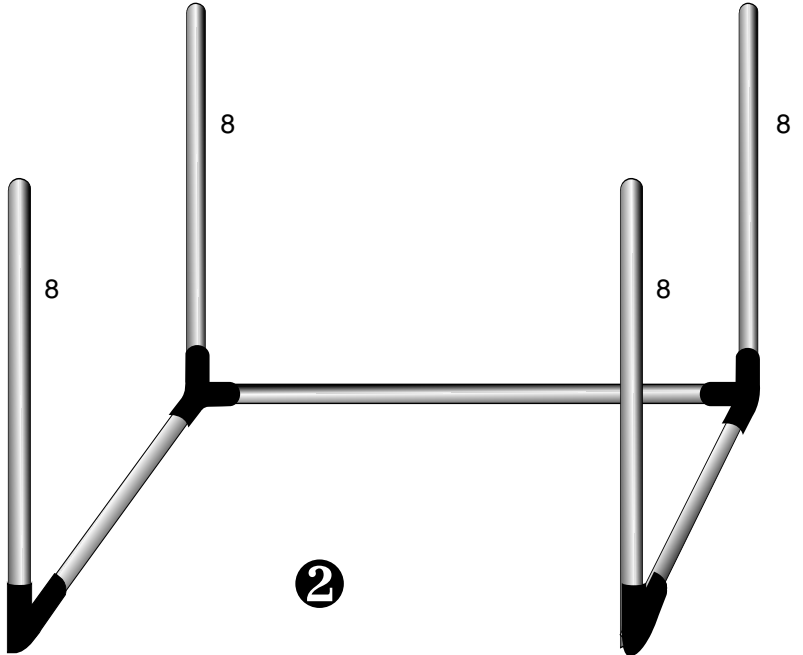
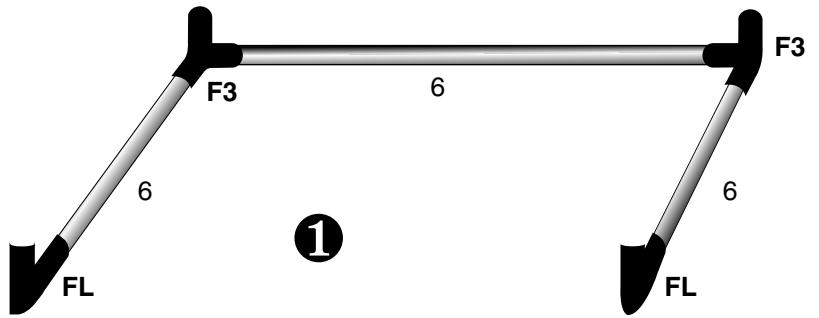
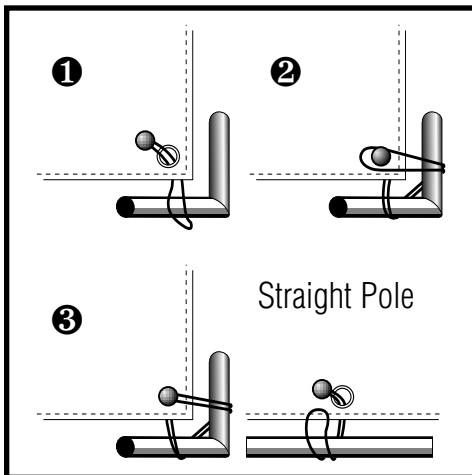
www.siegersukkah.com

Thank you for your purchase of the Sieger Sukkah™, and have a Chag Kasher Vesameach!



Tying down the tarps using the bungee cords.

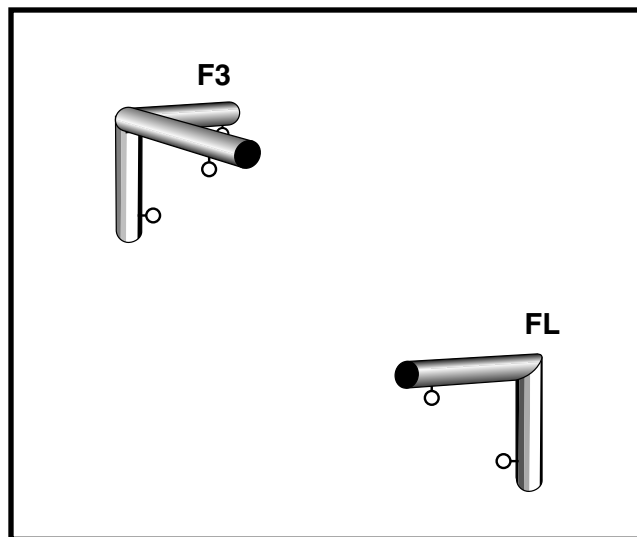
1-3: Wrapping around a corner



THE SIEGER SUKKAH



CANOPY FITTINGS



Put the pipe in to the fitting and tighten the screw

6 X 6

PARTS LIST:

FITTINGS:

6 – F3

2 – FL

POLES:

7 – 6'

4 – 8'

3 – 8 X 6 Tarps

42 Bungee Cords