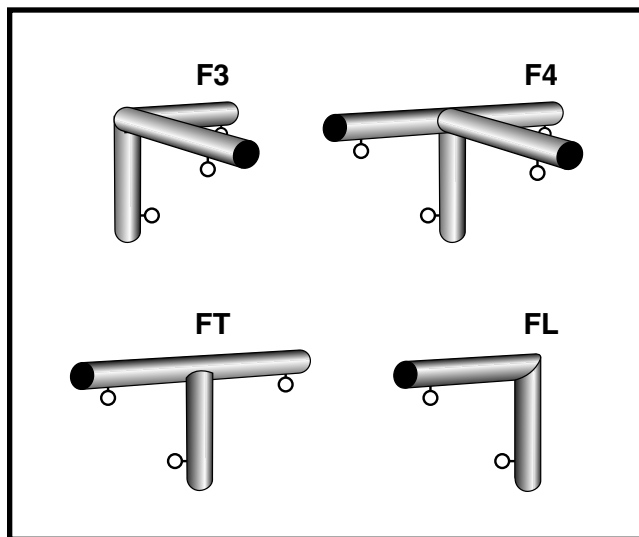


# THE SIEGER SUKKAH



## CANOPY FITTINGS



Put the pipe in to the fitting and tighten the screw

**10 X 16**

## PARTS LIST:

### FITTINGS:

7 – F3  
2 – F4  
2 – FL  
1 – FT

### POLES:

9 – 10'  
3 – 6'  
6 – 8'

4 – 8 X 10 Tarps  
1 – 8 X 6 Tarps  
86 Bungee Cords

# SIEGER SUKKAH SET-UP INSTRUCTIONS

**10 X 16**

Below is a 3-step instruction diagram of how to assemble your Sieger Sukkah™. Your particular Sieger Sukkah™ may vary slightly depending on its dimensions.

**Helpful Hint:** You should start assembling from the bottom up. Make sure all joints are secure before taking the next step.

**Warning:** Avoid leaving a vertical pole standing in a "FL" joint, it may fall to the side.

If you have any questions or problems, please call Ron Sieger at (310) 837-2185 or (310) 686-1547

*Thank you for your purchase of the Sieger Sukkah™, and have a Chag Kasher Vesameach!*



Tying down the tarps using the bungee cords.  
1-3: Wrapping around a corner

