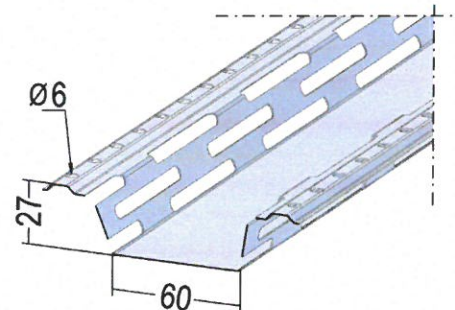


PRODUCT DATA SHEET

Version: 24.06.2016 | 10:53 h

ITEM NO. 5007

Description	hat - spring bar 60/27
Specification	tested to EN 13964 and DIN 18168/2
Product Group	Drywall / Metal construction, lightweight Soundproofing Silencio
Product Category	RC Profiles & Hat spring rail
Material	galvanised steel
Norm	EN 14195
Material Thickness	0,6 mm
Galvanizing	according to standa
Reaction to Fire	A1
Package	10 piece
Length in cm	400 cm



The present product sheet shows the current state of development of our products: with the publication of a new version this is no longer valid. Ensure that you always are using the most recent version of this information. Guarantees and liability upon delivery are defined in our general Terms of Business. Please follow the guidelines for use, fitting and siting. All information is subject to change.

Tender documents, fitting instructions and declarations of performance (where legally required) can all be found on our website. For the sake of the environment, please dispose of correctly!

PROTEKTORWERK
Florenz Maisch GmbH & Co. KG
Postfach 1420, D-76554 Gaggenau
Viktoriastr. 58, D-76571 Gaggenau

Tel.: +49 7225 977 - 0
Fax: +49 7225 9 77 - 111
info@protektor.com
www.protektor.com

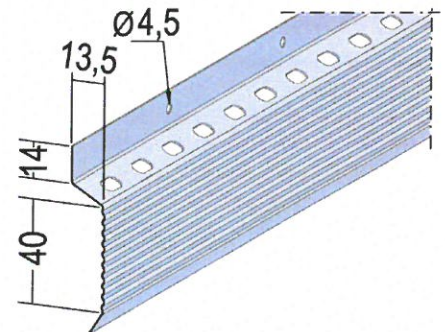


PRODUCT DATA SHEET

Version: 24.06.2016 | 10:55 h

ITEM NO. 5100

Description	RC-Profile
Specification	fitted horizontally
Product Group	Drywall / Metal construction, lightweight Soundproofing Silencio
Product Category	RC Profiles & Hat spring rail
Material	galvanised steel
Norm	EN 14195
Material Thickness	0,6 mm
Galvanizing	according to standa
Reaction to Fire	A1
Package	10 piece
Length in cm	300 cm
Length in mm	3000 mm



! The present product sheet shows the current state of development of our products: with the publication of a new version this is no longer valid. Ensure that you always are using the most recent version of this information. Guarantees and liability upon delivery are defined in our general Terms of Business. Please follow the guidelines for use, fitting and siting. All information is subject to change.

Tender documents, fitting instructions and declarations of performance (where legally required) can all be found on our website. For the sake of the environment, please dispose of correctly!

PROTEKTORWERK
Florenz Maisch GmbH & Co. KG
Postfach 1420, D-76554 Gaggenau
Viktoriastr. 58, D-76571 Gaggenau

Tel.: +49 7225 977 - 0
Fax: +49 7225 977 - 111
info@protektor.com
www.protektor.com

