



Seismo S20

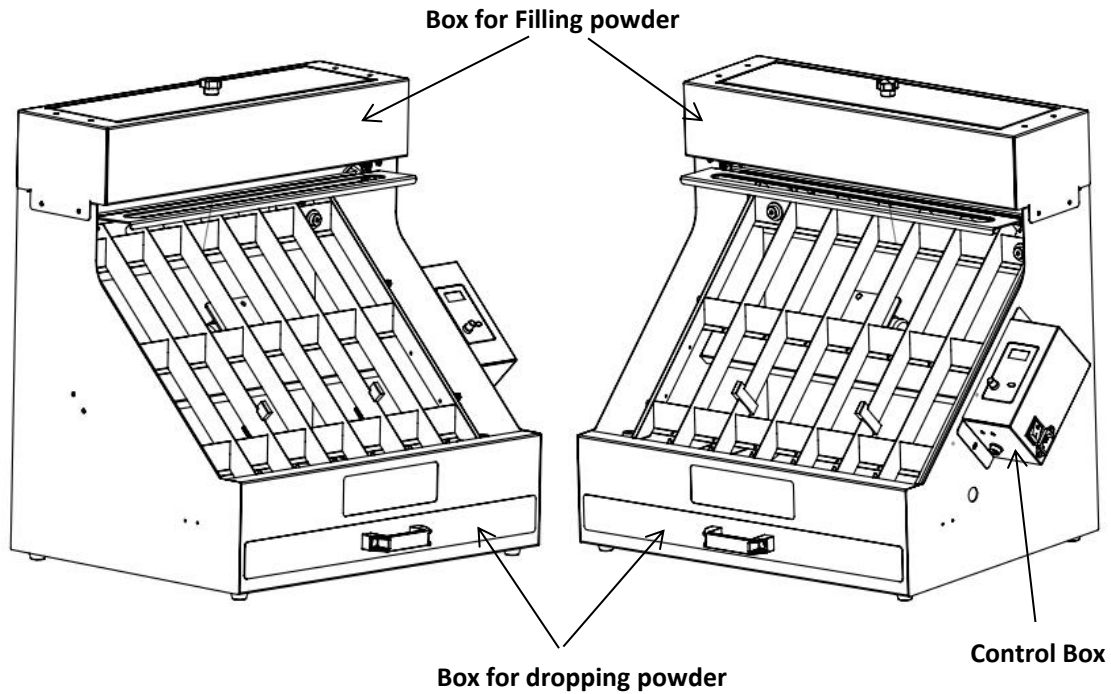
DTF Powder Station

User Manual



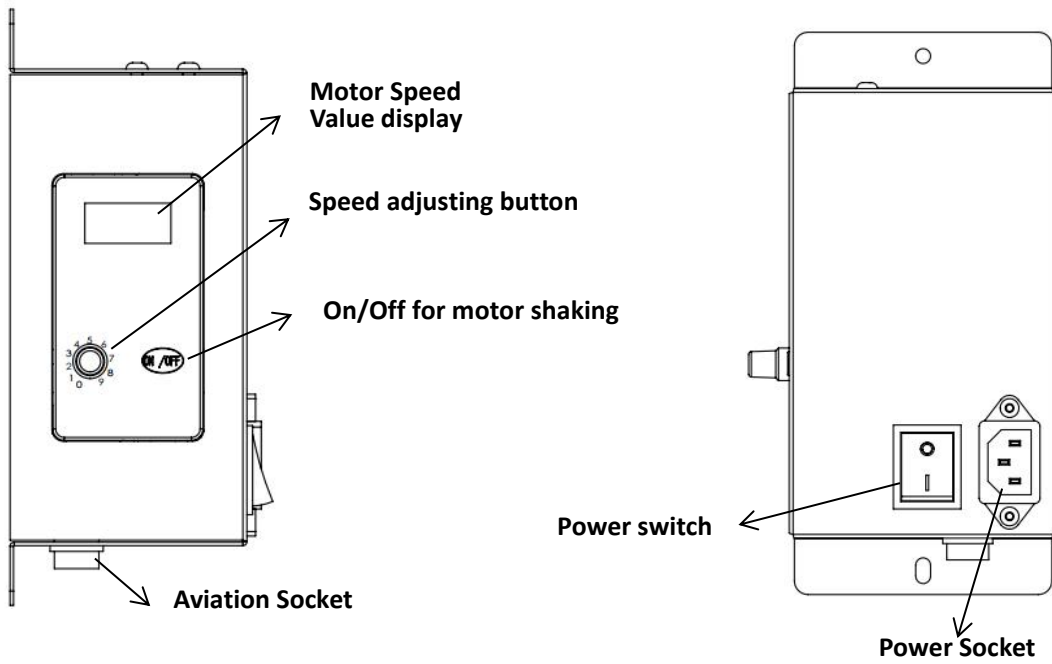
Machine View -----	2
Technical Parameters -----	2
Control Box Instructions -----	3
Control Box Assembly -----	3-4
Drawer Handle Assembly -----	5
Operating Instructions -----	6-9
Powder Filling -----	6
Film Position and Adjusting -----	7
Connecting Power -----	8
Powder Dropping Control -----	8
Storage Notes -----	9

Trimetric View

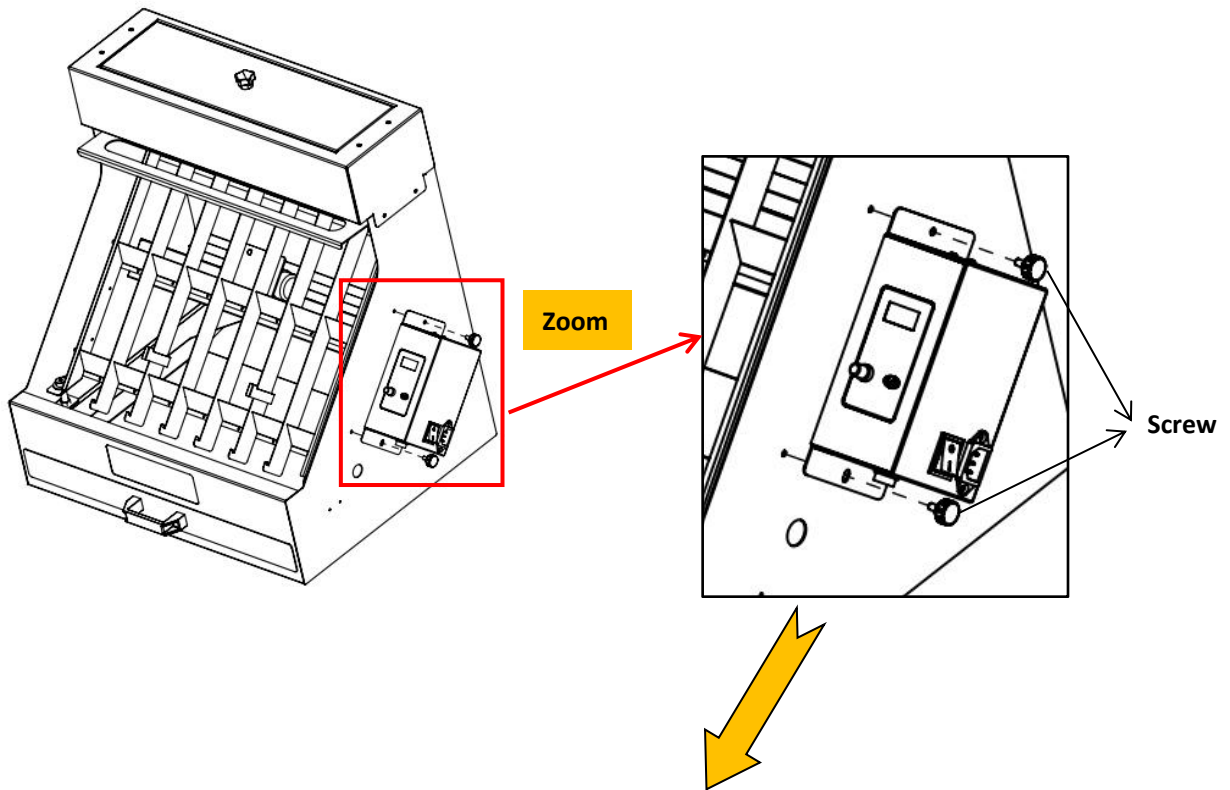


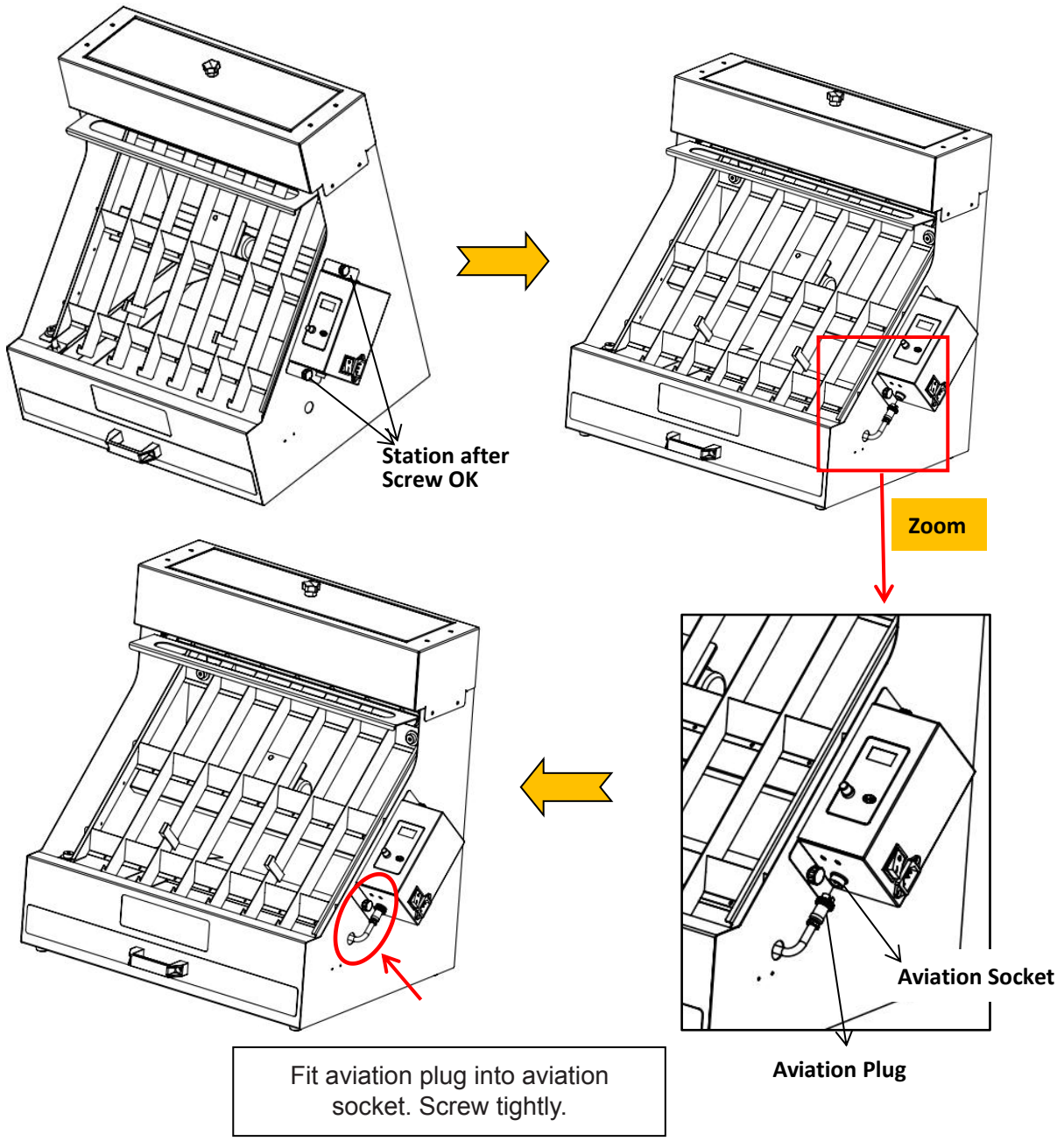
Model:	SEISMO S20 DTF POWDER STATION
Voltage	110V~220V(50/60Hz)
Power	15W
Motor Rotate Speed	0~4500RPM
Powder Volume	4KG
Bigest Film Size	40*50CM
Machine Size:	56.7×43.3×60.7cm(no including control box)
Packing Size:	64.8×50.5×69.5cm
Packing Weight:	27kg (Gross weight) / 46.2kg (Volume weight)
Certificate:	CE,FCC

Control Box Instructions

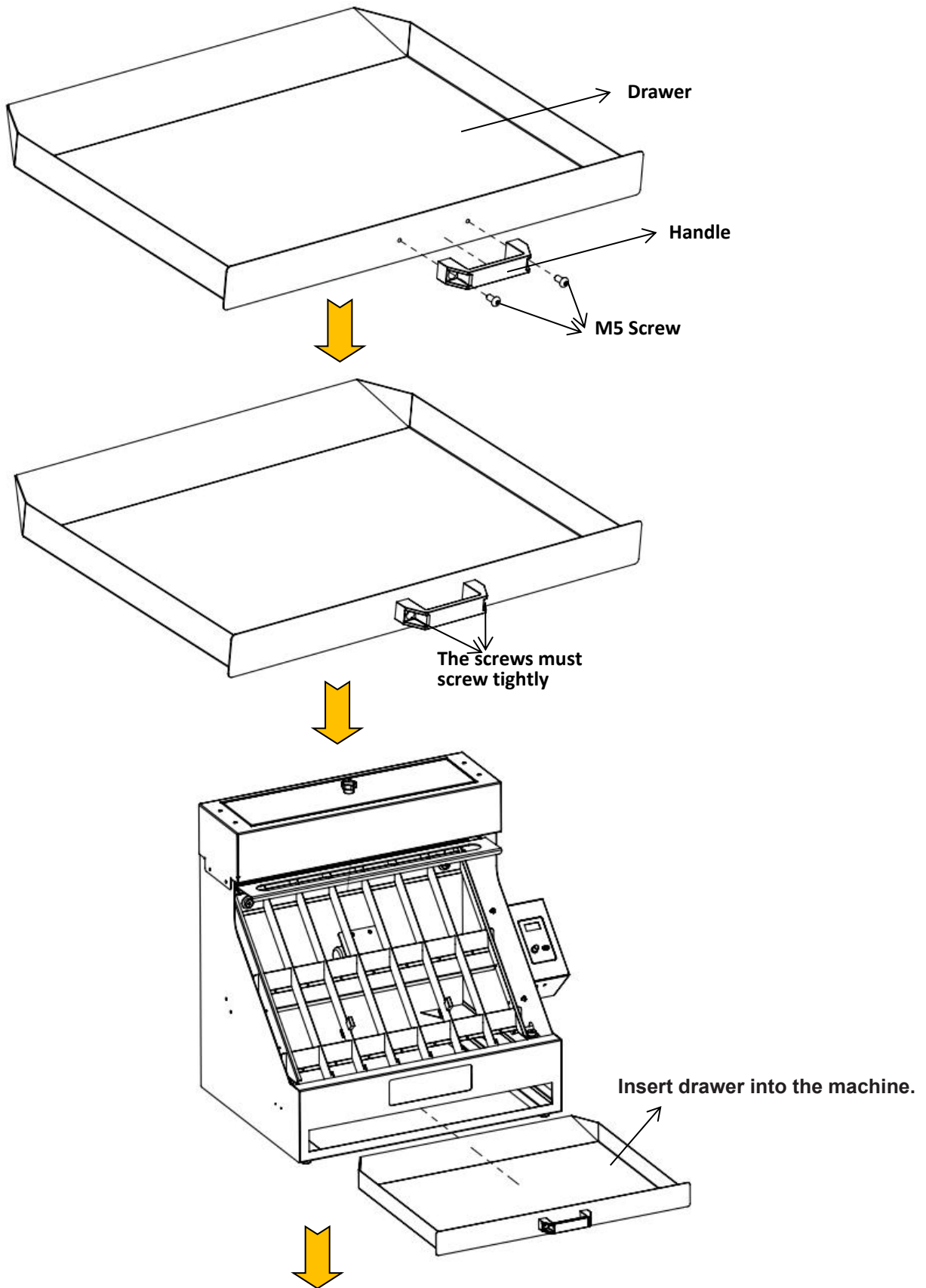


Control Box Assembly



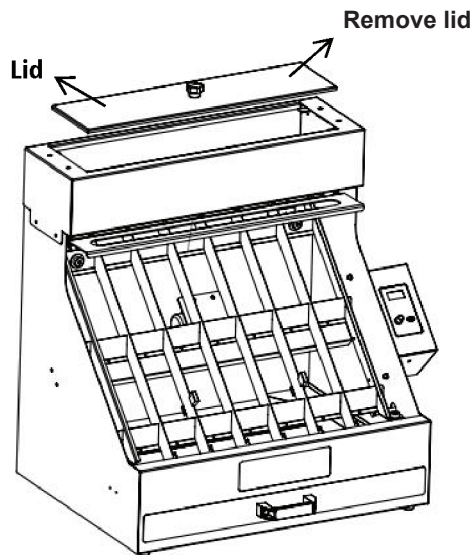


Drawer Handle Assembly

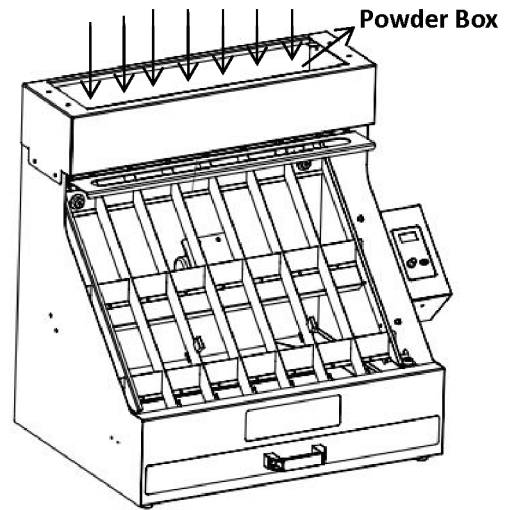


Operating Instructions

1. Powder Filling

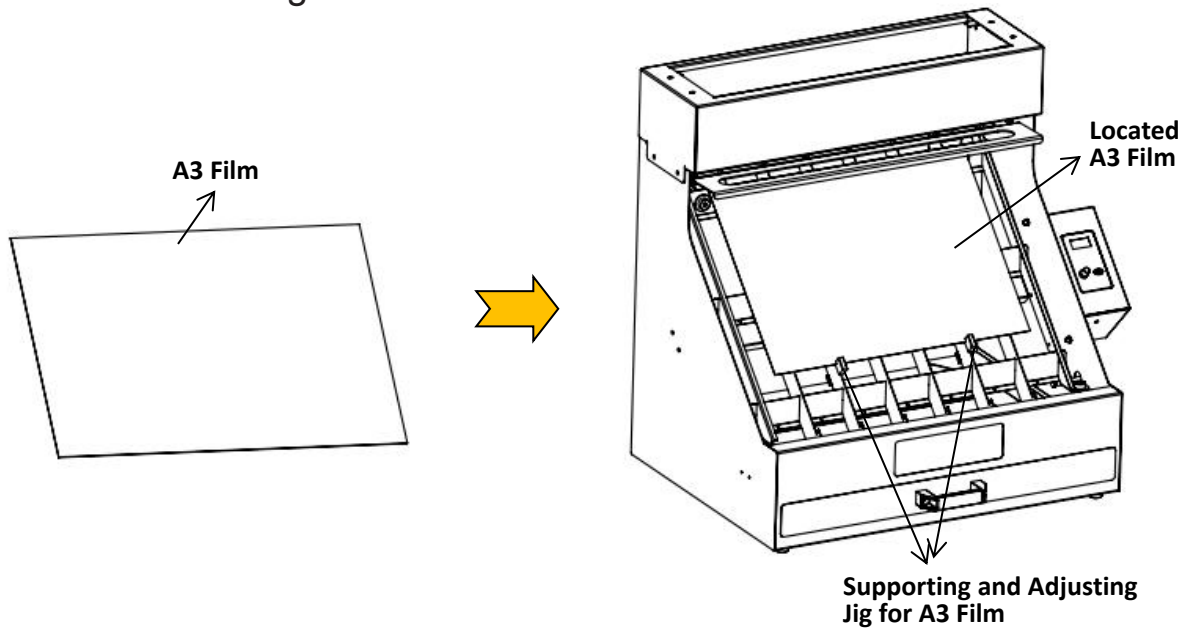


Fill powder into box and evenly cover bottom. Note: box can fit about 4kg of powder max.

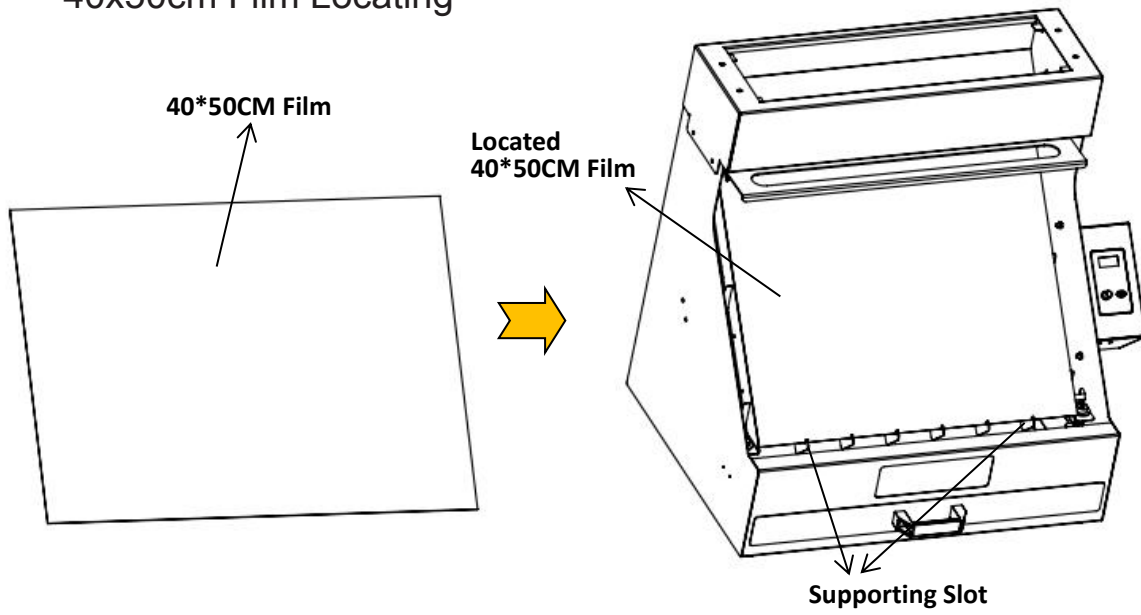


2. Film Position and Adjusting

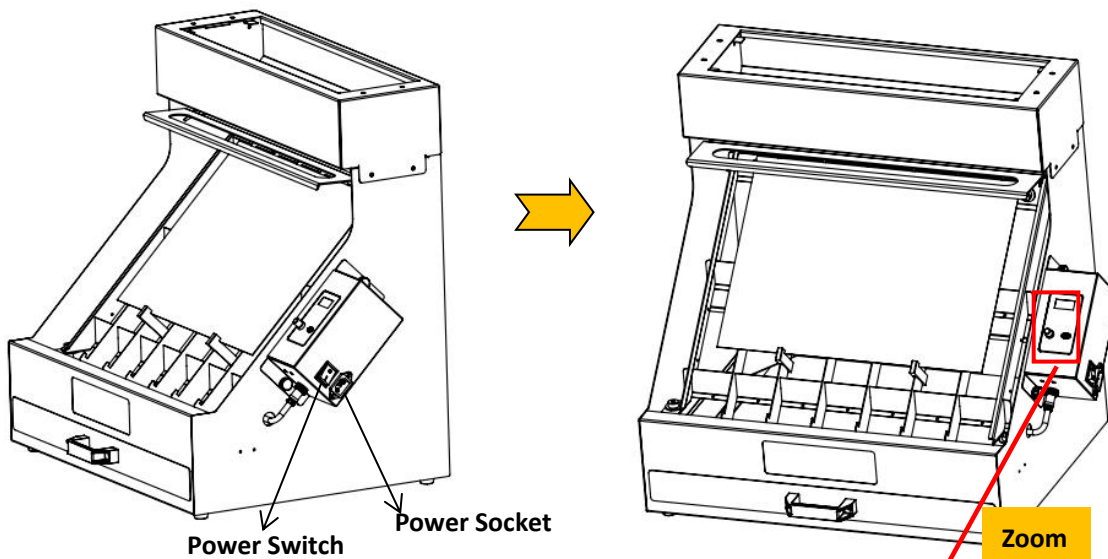
• A3 Film Locating



• 40x50cm Film Locating



3. Connecting Power



Step Description:

Step 1: Connect power. First, push power cord into power socket.

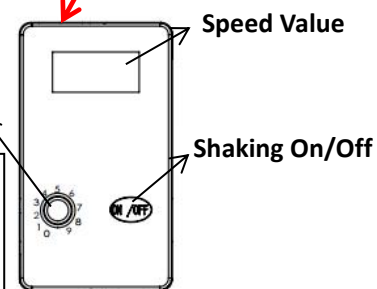
Step 2: Turn on power switch. Check that the power light is on.

Step 3: Press the on button to start the motor. Note the speed value on the display, and adjust accordingly.

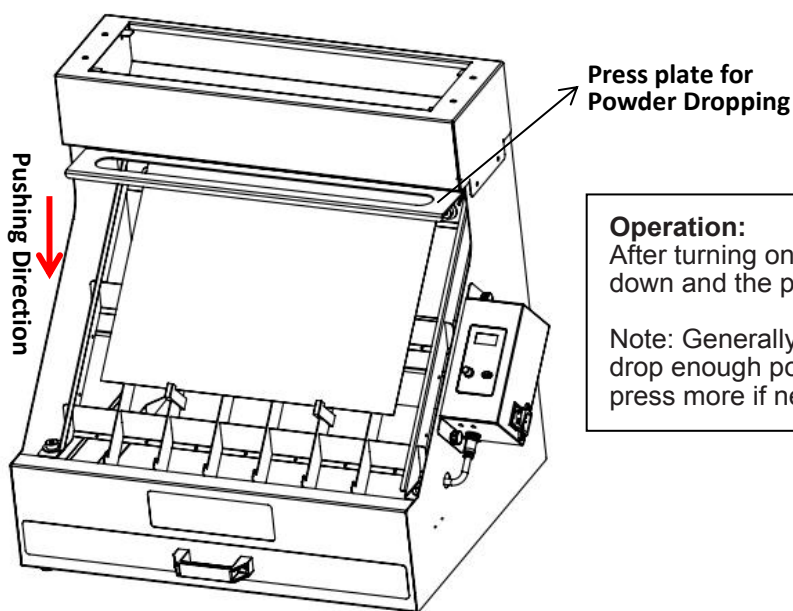
Note: Speed of 1500RPM is generally sufficient for most cases.

Speed Adjustment

Note: Higher values indicate higher motor speed.



4. Powder Dropping Control



Operation:

After turning on the shaking, push the press plate down and the powder will drop.

Note: Generally, pushing the press plate 3 times will drop enough powder to cover most films, but you may press more if necessary.

5. Storage Notes

- Turn off the power switch and pull out the power cord after each use.
- Cover the lid of the powder box, and dress the machine coat.