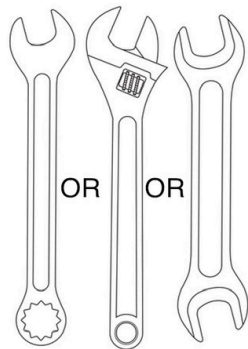


# REQUIRED TOOLS



7 MM WRENCH



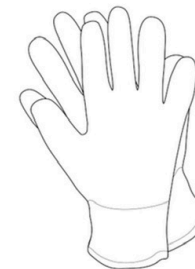
LONG NOSE PLIERS



2.5MM HEX KEY



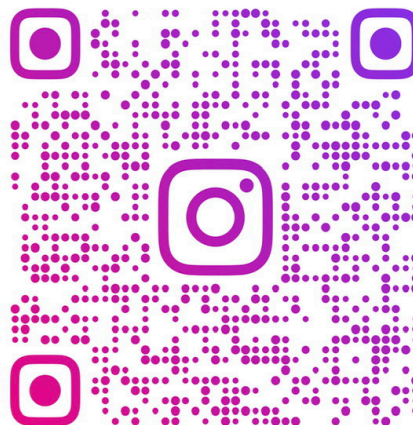
3 MM HEX KEY



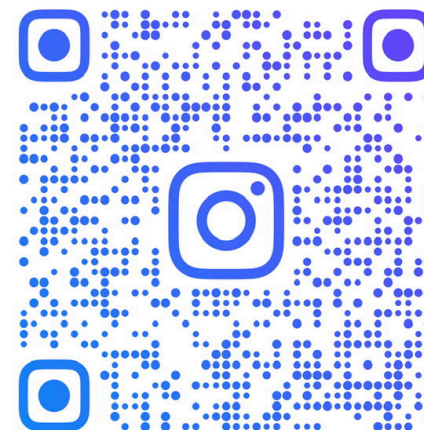
GLOVES  
NOT NECESSARY,  
WIFE MADE ME ADD IT

# VIDEO REFERENCE

SCAN QR CODE



BASKET ASSEMBLY VIDEO

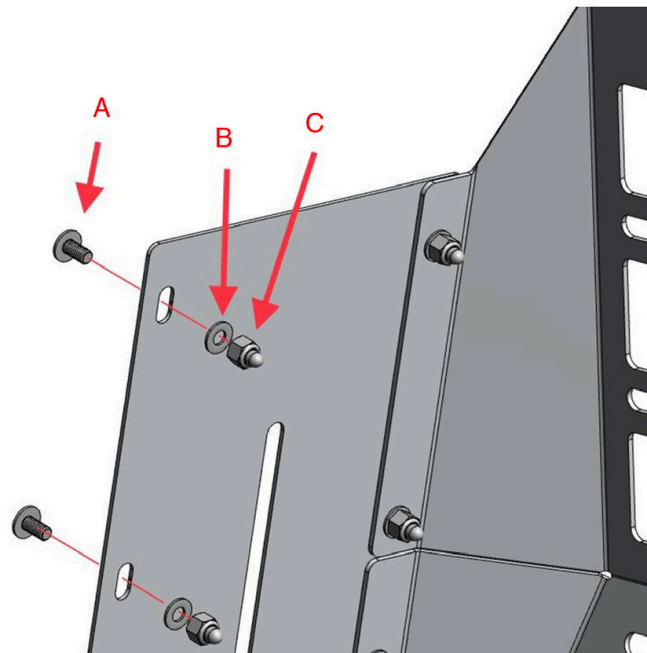


INSTALLATION VIDEO

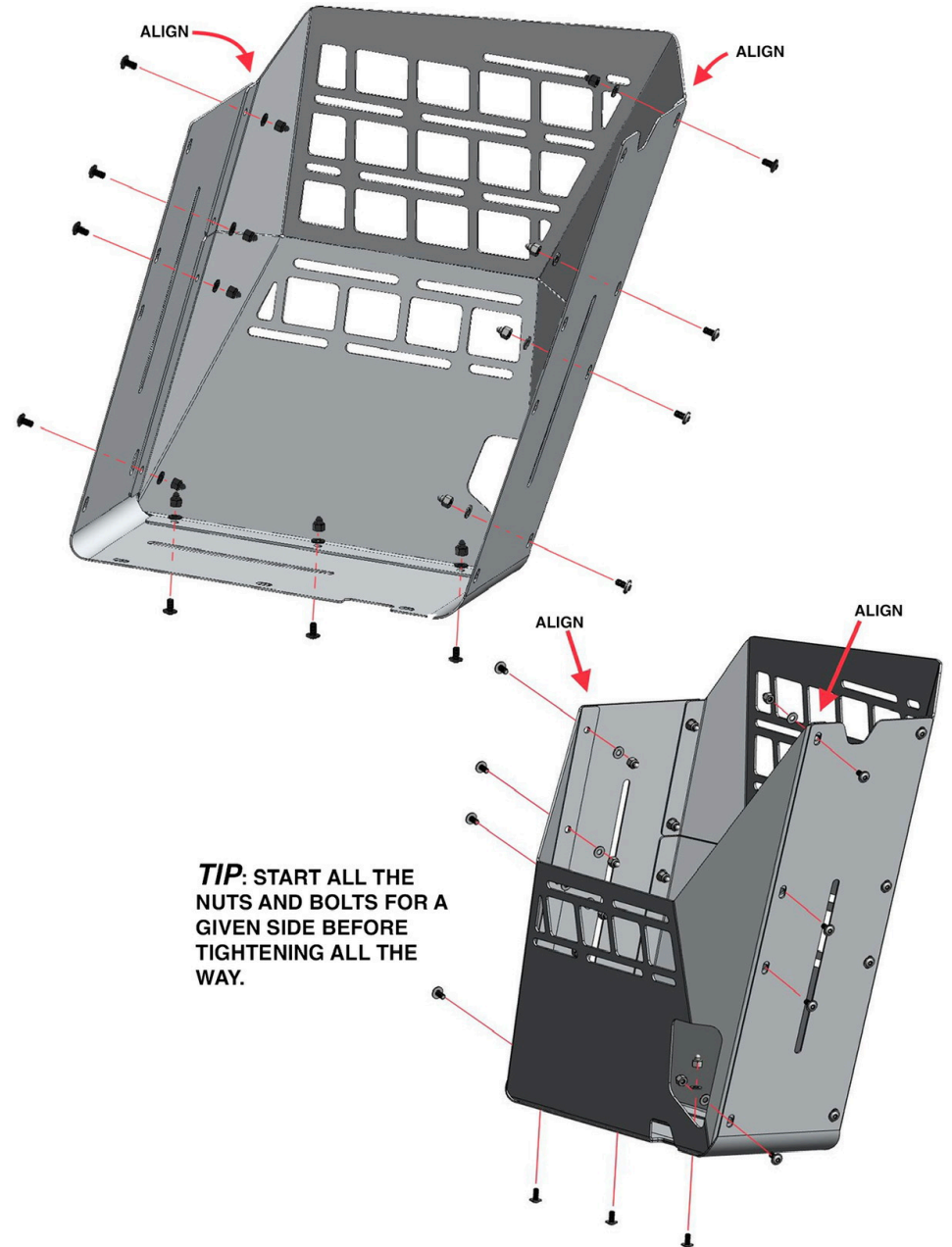
PERIODICALLY CHECK AND TIGHTEN YOUR HARDWARE.  
PLEASE FOLLOW AND TAG US ON FACEBOOK AND INSTAGRAM  
@IRVLABS



- 1/4" RUBBER SPACERS  
6 PIECES
- M5 BOLT  
3MM HEX  
6 PIECES
- LARGE WASHERS  
6 PIECES
- M4 BOLTS (A)  
2.5 MM HEX  
22 PIECES
- SMALL WASHERS (B)  
22 PIECES
- M4 ACORN NUT (C)  
7MM WRENCH/SOCKET  
22 PIECES

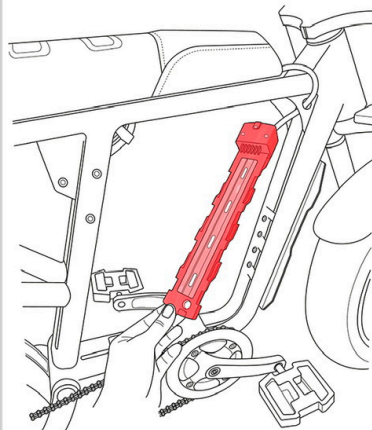
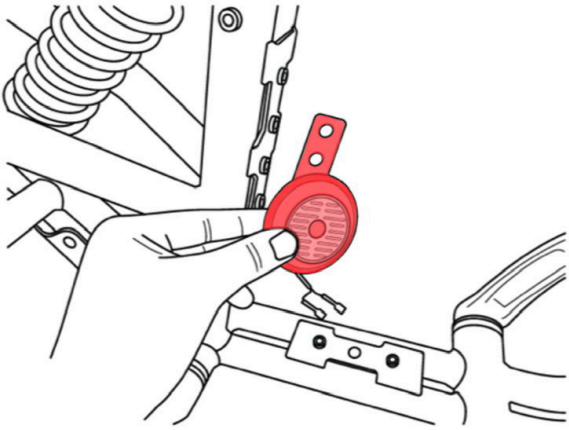


**1** OPEN THE PARTS BAG, IDENTIFY AND GROUP THE HARDWARE. SEE DIAGRAM FOR PROPER INSTALLATION. SOME EXTRA PARTS MAY BE INCLUDED

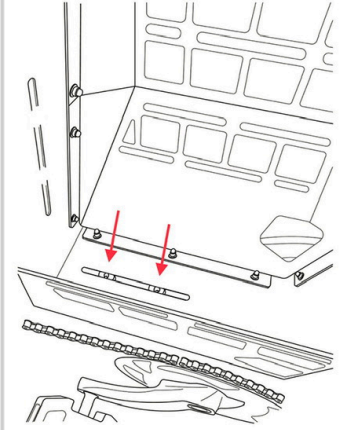
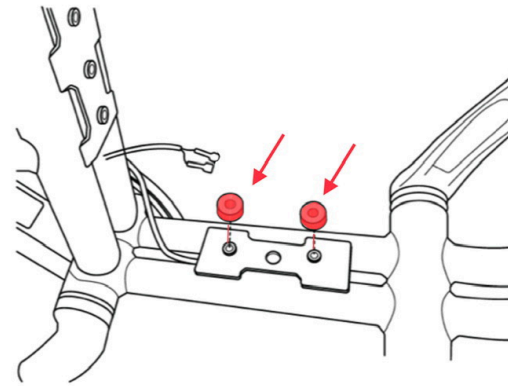


**TIP:** START ALL THE NUTS AND BOLTS FOR A GIVEN SIDE BEFORE TIGHTENING ALL THE WAY.

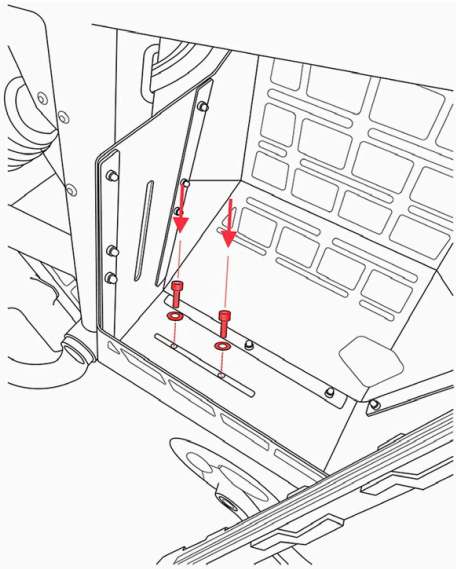
**2** ASSEMBLE THE BASKET AS SHOWN ON THE DIAGRAM. IT HELPS TO ALIGN THE TOP CORNERS OF THE BASKET AND WORK YOUR WAY DOWN FASTENING THE SCREWS, BOLTS, AND WASHERS.



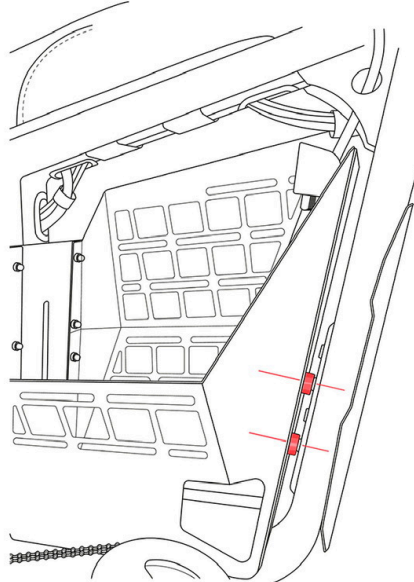
**3** IF YOUR BIKE IS EQUIPPED WITH A HORN AND/OR A BATTERY TRAY IN THE FRAME, PLEASE REMOVE THEM.



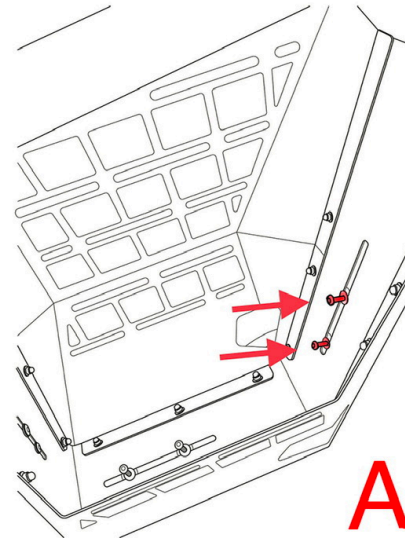
**4** PLACE TWO RUBBER SPACERS ON TOP OF THE BOTTOM MOUNTING POINTS OF THE BIKE. CAREFULLY PLACE THE BASKET ON TOP, LINING UP THE CORRESPONDING MOUNTING POINTS, RUBBER SPACERS AND THE HOLES AT THE BOTTOM OF THE BASKET. *IT HELPS TO BRING THE BASKET IN FROM THE LEFT SIDE OF THE BIKE.*



**5** INSERT TWO M5 BOLTS AND TWO LARGE WASHERS INTO THE MOUNTING POINTS -THREAD IN. **DO NOT TIGHTEN ALL THE WAY.**

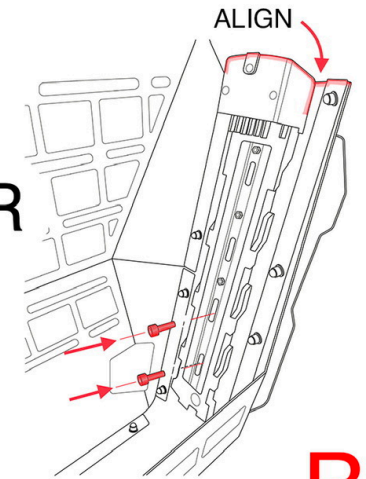


**6** HOLD TWO RUBBER SPACERS BETWEEN THE FRONT OF THE BASKET AND BIKE FRAME.



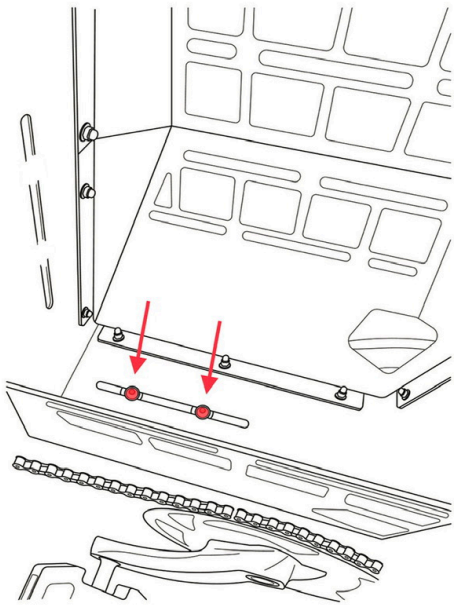
**A**

OR

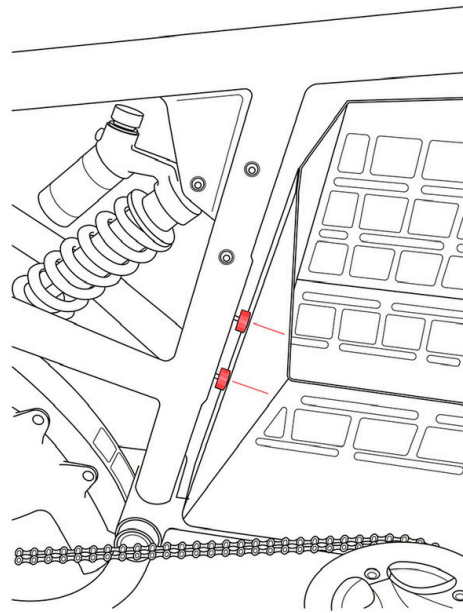


**B**

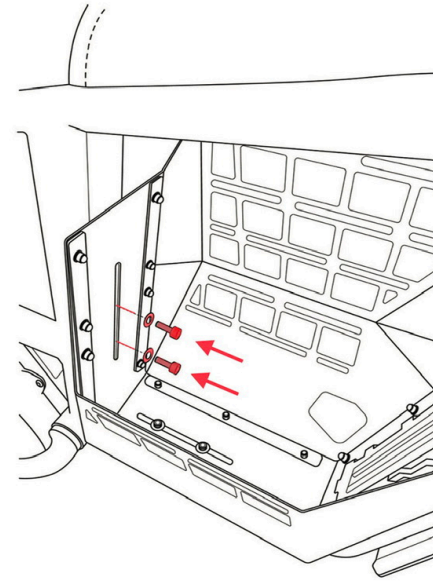
**7** (A) IF INSTALLING **WITHOUT** A BATTERY TRAY, SECURE THE FRONT OF THE BASKET WITH TWO M5 BOLTS AND TWO LARGE WASHERS. (B) IF INSTALLING **WITH** A BATTERY TRAY, ALIGN THE TOP OF THE BATTERY TRAY WITH THE TOP OF BASKET. SECURE THE FRONT OF THE BASKET AND TRAY WITH TWO M5 BOLTS. **DO NOT USE A WASHER.**



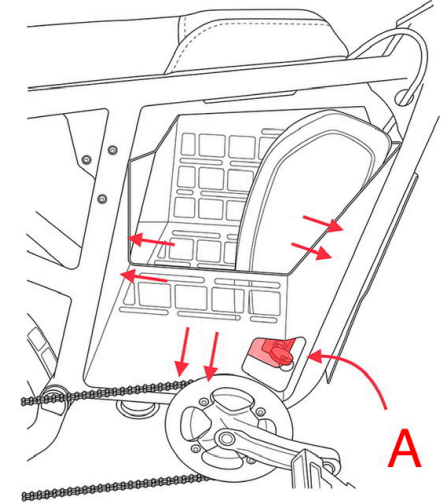
**8** TIGHTEN AND SECURE THE BOTTOM OF THE BASKET.



**9** HOLD TWO RUBBER SPACERS BETWEEN THE REAR OF THE BASKET AND THE BIKE FRAME.

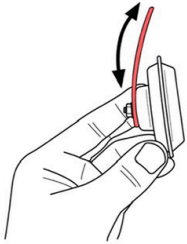


**10** SECURE THE REAR OF THE BASKET WITH TWO M5 BOLTS AND TWO LARGE WASHERS.

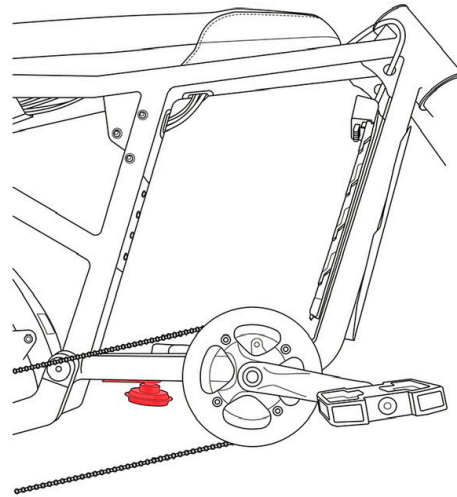


**11** TIGHTEN ALL YOUR BOLTS. (A) BE SURE THE KEY AREA HAS PLENTY OF ROOM TO FUNCTION PROPERLY BEFORE LOCKING IN YOUR BATTERY.

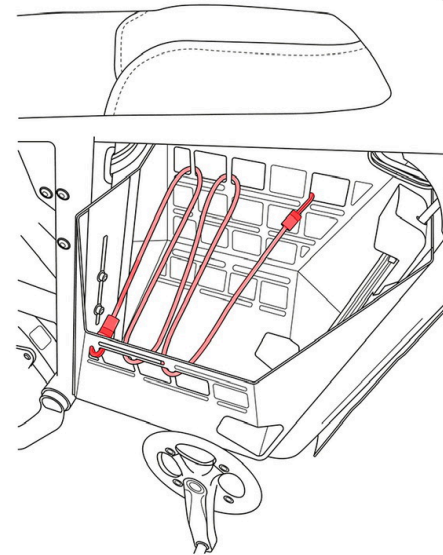
## TIPS



IF THE HORN MAKES AN UNUSUAL SOUND AFTER INSTALLING, BEND THE BRACKET SLIGHTLY AS SHOWN ON THE DIAGRAM. THEN RE-INSTALL.



IF YOUR CABLE IS LONG ENOUGH, A GOOD PLACE TO RELOCATE THE HORN IS UNDER THE BIKE.



SECURE YOUR CARGO WITH THE INCLUDED SHOCK CORD.

## THANK YOU!

ANY QUESTIONS  
PLEASE E-MAIL  
US AT  
INFO@IRVLABS.COM

