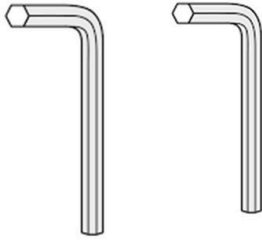
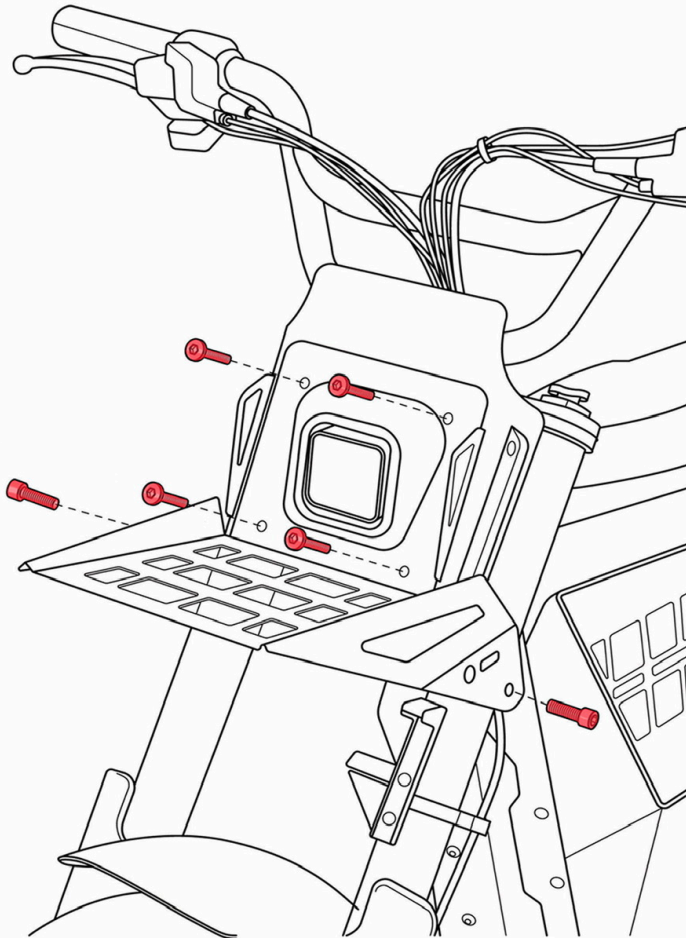


TOOLS NEEDED



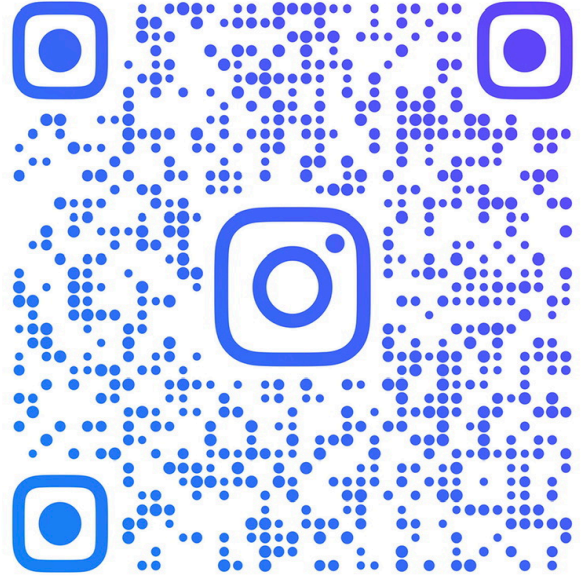
4MM HEX
KEY

3MM HEX
KEY

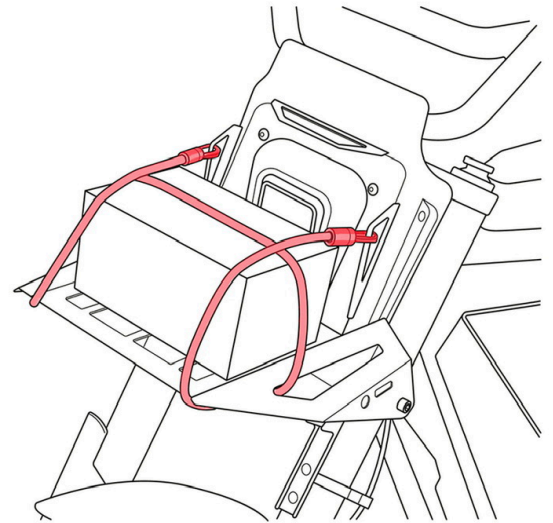


REMOVE THE FOUR BOLTS HOLDING THE FRONT FACEPLATE OF THE BIKE. RE-USE THE SAME BOLTS TO ATTACH THE FRONT UTILITY TRAY (**F.U.T.**). USE THE SUPPLIED M6 SCREWS TO SECURE THE **F.U.T.** ON THE CORRESPONDING MOUNTING POINTS ON THE SHOCK TOWERS. TORQUE DOWN YOUR SCREWS.

VIDEO REFERENCE



SCAN CODE



USE THE SUPPLIED SHOCK CORD TO SECURE YOUR CARGO. **8LB CAPACITY**

THANK YOU FOR
YOUR PURCHASE,
PLEASE FOLLOW
AND TAG US ON
INSTAGRAM
@IRVLABS



DESIGNED AND MADE IN
CALIFORNIA, USA