

Troubleshooting

Malfunctions	Reason	Solutions
No incoming water	1.The main water valve does not open. 2.Incoming water filter net is clogged. 3.Floating ball of water inlet valve in cistern does not work.	1.Turn on the valve. 2.Clean the net. 3.Readjust the floating ball.
Non-stop incoming water	1.Higher water pressure. (The standard is 0.1-0.3MPa) 2.Floating ball of water inlet valve does not work. 3.Water inlet valve is broken. 4.Floating ball of water inlet valve touches the inwall of cistern.	1.Reduce water pressure. 2.Readjust the floating ball. 3.Call your dealer to replace a new inlet valve. 4.Adjust the direction of floating ball.
Inadequate flushing water	1.The water level of inlet valve is too low. 2.The push button does not reach pushing point. 3.Press the wrong button. (Dual Flush)	1.Adjust the water inlet valve to appropriate position. 2.Adjust water level rod. 3.Identify small and large flushing button or call you dealer.
Slow drainage (Inadequate suction)	1.The drainage outlet is not aligned with the outside drainage pipe. 2.Drainage pipes are obstructed. 3.Inadequate flushing water.	1.Readjust or reinstall the product. 2.Clean the drainage pipes. 3.Adjust the water in cistern.
Leakage	1.The hexangular nuts of water inlet valve are not fastened. 2.The water supply spacer of inlet valve is damaged. 3.The water supply spacer on the bottom of cistern is damaged.(Separate Water Closet)	1.Fasten the nuts. 2.Change the water supply spacers. 3.Change the water supply spacers.
Overflow from drainage pipe	1.Drainage pipes are obstructed. 2.Water outlet pipes are obstructed.	1.Clean the drainage pipes. 2.Clean the water outlet pipes.

Precautions:

- Do not use the sitting wc pan when the water temperature is 0°C below, please stop using it when the temperature is under 0 degree centi grade, and clean away the surplus water in it, otherwise the product will be damaged when the water icing and expanded.
- Do not throw newspaper, paper diapers, sanitary napkins or other similar articles in the sitting wc pan.
- Do not impact the ceramic part heavily in case of any damage.
- To keep the normal flushing function of sitting wc pan, please use a long-handle nylon brush and a neutral cleanser to clean up the flushing hole or pipes, so as to prevent the accumulation of mineral substance. It is suggested to make cleaning once a week.
- Clean up the filter once a month at least, so as to prevent slow water inletting or water blockage in the tank.
- Do not use any cleanser in the tank; otherwise, the accessories (rubber) in the tank may be damaged,thus ,causing leakage or damage to the building.

Precautions and Maintenance of Cover Plate:

- Do not expose the cover plate to direct sunlight and keep it far from direct heat source or oil smoke.
- Do not use a steel brush or a knife to clean the cover plate.
- Do not use a corrosive chemical to clean the cover plate.
- Do not put hard objects on the cover plate, such as tank cover, flower pot, pail and basin etc.

If the above precautions are not followed, discoloration, deformation, distortion, craze cracking or scratching of cover plate may occur.

We reserve the final explanation right to this manual. If there is any discrepancy with previous manuals, this manual shall be regarded as standard.

Installation Instruction for Water Closet

Before Installing

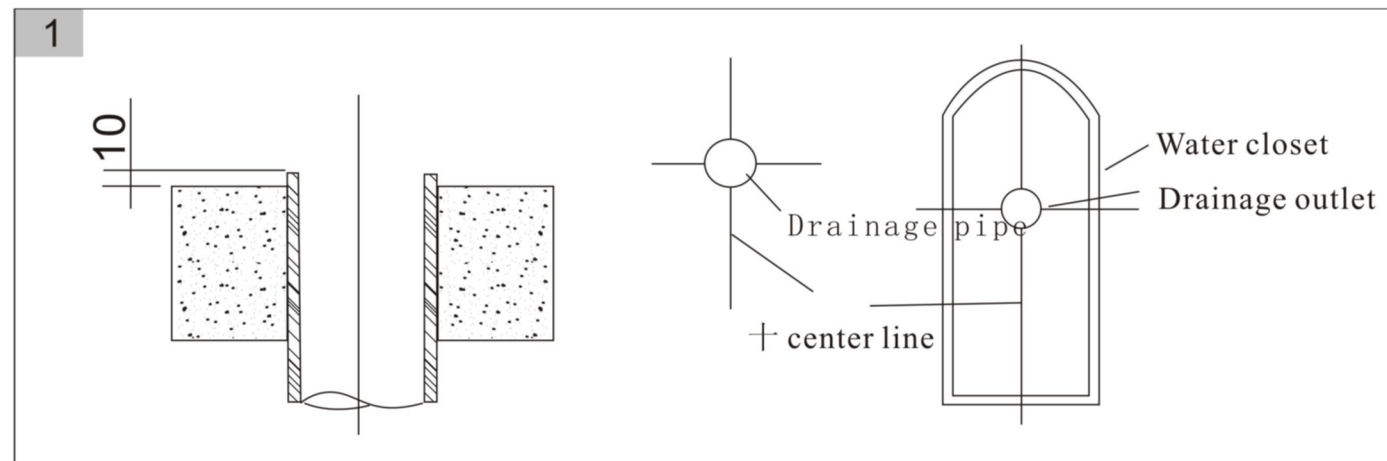
- Read the instruction carefully to be familiar with the tools, fittings and installation procedures to prevent any unnecessary damage.
- Check the fittings follow the fitting form and check whether there is any damage of the product.
- Check whether the roughing-in on installing position is aligned with the one of product. Realize all the stipulates for pipelines preposing for water supply.
- Because the ceramics is easy to be damaged, please handle it gently and the nut should not be overtightened.
- The floor of installation position should be flat and hard.
- If you want to change the water closet, please turn off water supply and flush the water closet to make sure no water remains inside the product. Remove the soft pipe for water supply, and unfasten screws. Then remove the water closet and the old gasket and clean the end of the outlet of drainage.
Note: If you do not install the water closet at once, please plug the drainage outlet with paper.
- Make sure water supply has been turned off..

NOTE: 1. Refer to the newest information of the printed matter. We reserve the rights to change the features, packing and fittings of the products without notice.
2. Please keep the installation instruction carefully (including installation procedure, fitting form, trouble shooting and notice.)

Tools and Fittings (Not supplied with the product)

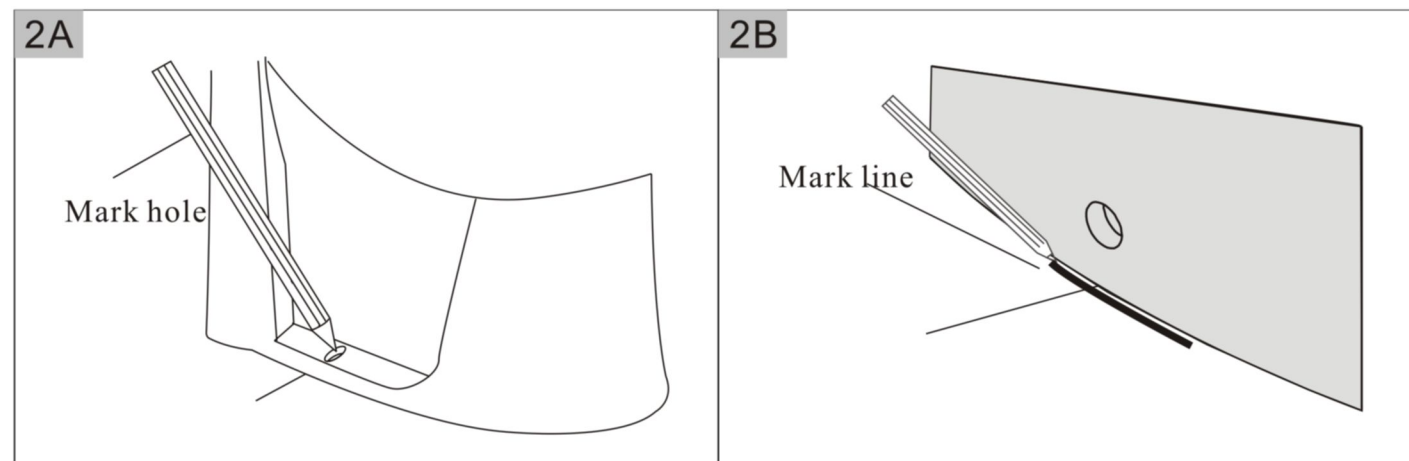
- | | | |
|-----------------------|----------------|-------------------------|
| 1.monkey wrench | 5.level | 9.water supply valve |
| 2.pipe wrench | 6.screw driver | 10.connecting soft pipe |
| 3.tapeline | 7.hacksaw | 11.silicone |
| 4.percussive drilling | 8.sinker | 12.flange |

Installation Procedure

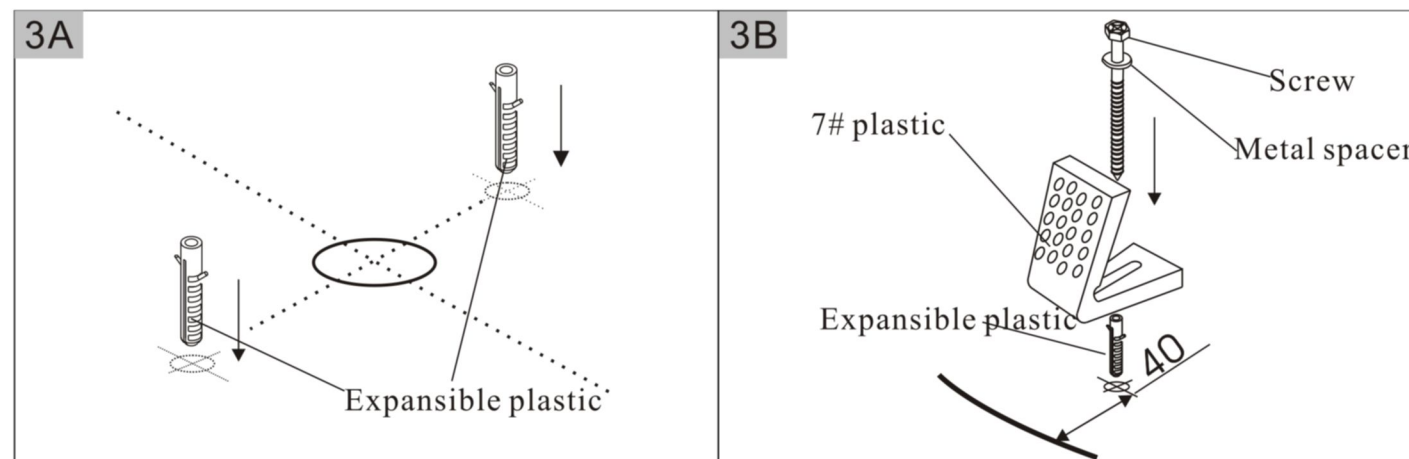


1. Mark the + centre line according to the drainage outlet on the floor and the one of the water closet.

NOTE: The drainage pipe should be higher about 10mm from floor for better sealing.

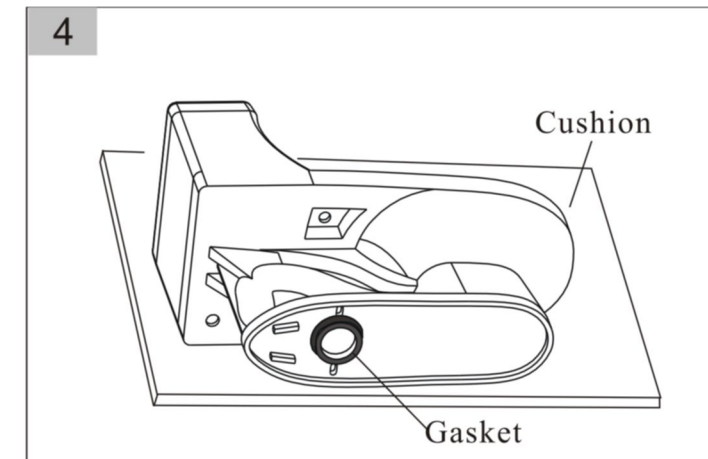


2. Put the water closet onto the installing position. Make sure the + centre lines of floor and water closet are aligned. Then mark the installing holes with pencil.



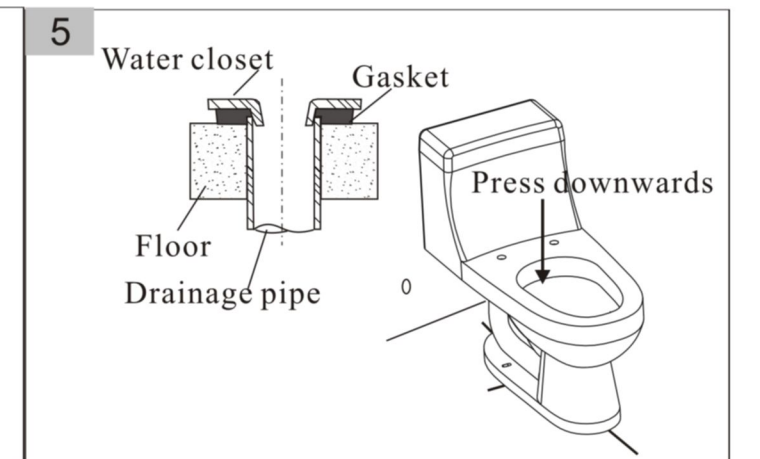
3. Remove the product and drill holes according to the marks. Then insert the plastics.

Note: Please plug the drainage outlet on in the floor with paper or rag to prevent anything falling into the pipe.



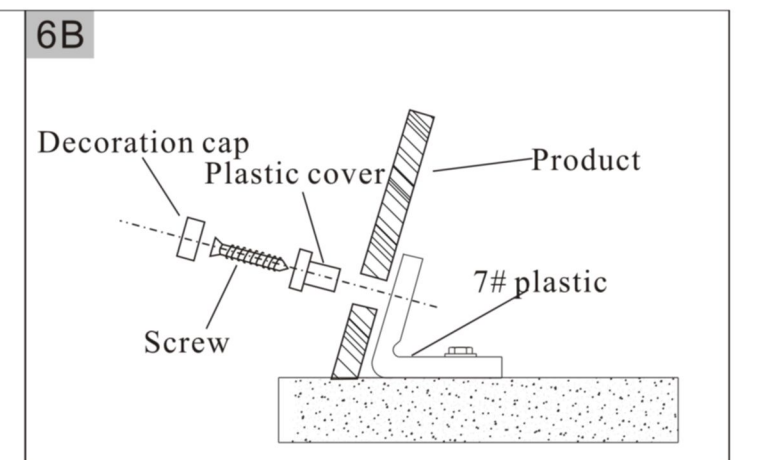
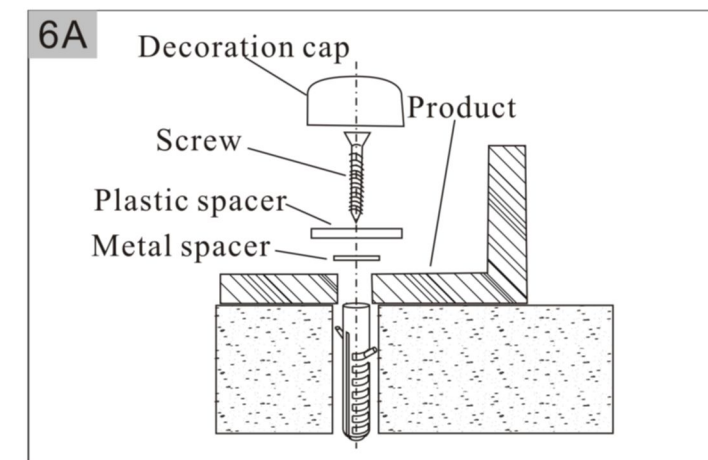
4. Put the product onto the cushion flatly, then cover the gasket onto the drainage outlet tightly.

Note: Two persons are required to work together because the product is heavy.

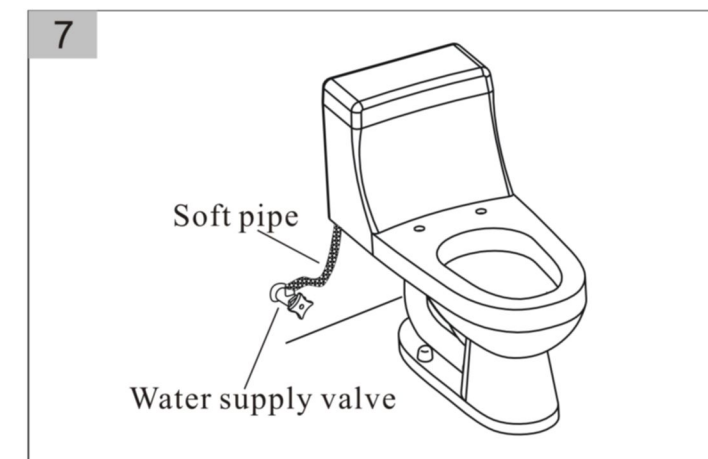


5. Clean the drainage outlet, then put up the water closet to make the centre line of it aligned with the one on floor and the centre of waste outlet aligned with the centre of drainage outlet. Press downwards the product until it is flat.

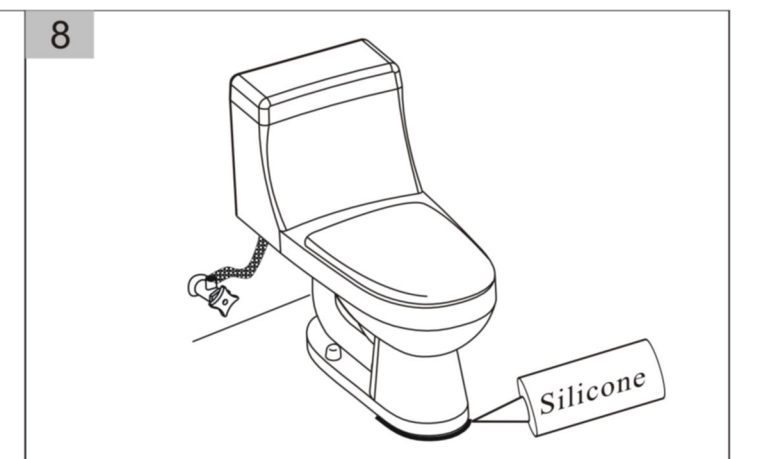
Note: Do not put it up or remove it again after the water closet installed. Change the gasket if it does not work any more.



6. Fix the product on the floor with screws and plastic covers, then cover the decoration caps.



7. Install the water supply valve, then connect the filter and water supply soft pipe of cistern. Check the connection carefully to make sure there is no leakage.



8. Install water closet seats according to the installation instruction, then daub a layer of silicone between the product and floor.