

UV FASTLANE 2K[®]
***DON'T WAIT TO PAINT!*[®]**

Powered by SPDIUV

PERSONAL PROTECTIVE EQUIPMENT

SPDI UV Recommends the use of the following
Personal Protection Equipment (PPE) when utilizing the UV Fastlane 2K Cart.

THE BEST WAY TO BREAK DOWN PPE FOR ULTRAVIOLET (UV) LIGHT IS BY THE PROXIMITY TO THE LIGHT. FOR THIS PURPOSE, WE WILL REFER TO AN "OPERATOR," A "SPECTATOR," AND "SURROUNDING PERSONNEL."

OPERATOR:

The person actually holding the UV wand over the UV primer as well as anybody within a 3 foot radius of the handheld unit, whether or not they are actually utilizing it. For the operator, the following PPE is mandatory:



1. UV FACE SHIELD



2. TYVEK SUIT OR OTHER EQUIVALENT COVERALL



3. DEERHIDE GLOVES OR OTHER GLOVES OF EQUIVALENT INSULATION

SPECTATOR:

Anybody outside of a 3 foot radius of the UV handheld irradiator but still within the confines of the prep station. The following PPE is mandatory:



1. UV FACE SHIELD OR DARK UV GLASSES

SURROUNDING PERSONNEL:

Anybody in the shop within view of the UV Fastlane 2K cart while the unit is in use. The following PPE is mandatory:



1. UV GLASSES OF ANY TYPE, INCLUDING ANY MANDATORY SHOP PROTECTIVE GLASSES.

Note – Always follow any local OSHA or Facility Standards for Eye Protection. Eye protection equipment will be marked with local standards such as ANSI Z87.1-2015 in the US and EN166 in Europe. While lenses that meet these standards with anti-UV coating absorb more than 99.9% of harmful ultraviolet radiation and ensure a safe work environment, for operators and spectators of any UV process, shading of the eyewear is a requirement. The American National Standards Institute's rule of thumb is to always use the darkest shade that allows for adequate task performance. A minimum of shade 3 is mandatory for brightness reduction and to prevent eye fatigue.

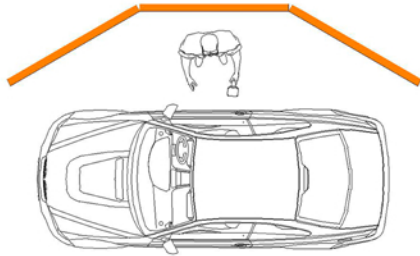
BODY SHOP PREVENTATIVE UV PROTECTIVE SET UP

SPDI UV Recommends the following set ups when the UV Fastlane 2K Cart is to be used on a permanent basis.

SITUATION A:

SINGLE USER WITH WELDING SCREENS

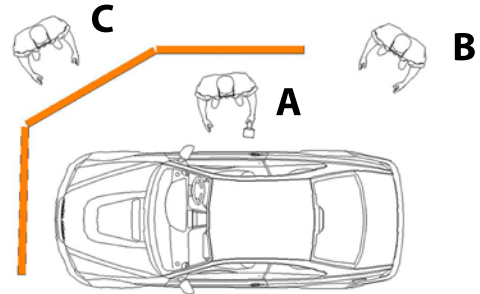
Through the use of easily accessible welding screens, users are able to shield passersby from stray UV light. The operator must still utilize a UV face shield, as well as skin protection as outlined above including PPE gloves and a Tyvek suit or other form of acceptable coverall.



SITUATION B:

MULTIPLE USERS WITH WELDING SCREENS

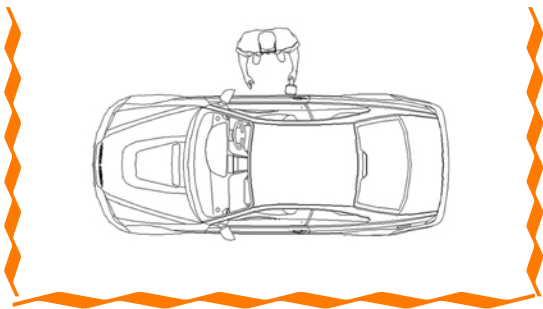
When multiple people are to be present in the prep station while the UV Fastlane 2K cart is in use, it is important to focus on the proximity of the light as well as the shielding in place. In the diagram below, person A is an operator and needs appropriate PPE while person B is more than 3 feet away so only needs spectator level PPE. Finally, person C is over 3 feet away and also beyond the welding screens. This person only needs the standard eye protection for surrounding personnel.



SITUATION C:

SINGLE USER WITH WELDING CURTAINS

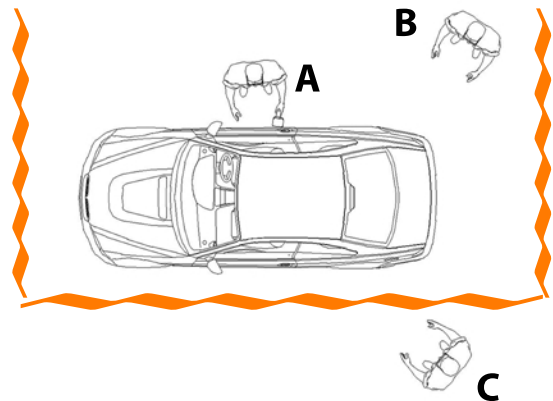
Welding curtains are a preferred form of protection when they are available because they more fully protect the surrounding environment. The operator in the diagram below must wear the appropriate gear and anybody beyond the curtains only needs the standard surrounding personnel eye coverage.



SITUATION D:

MULTIPLES USERS WITH WELDING CURTAINS

In the diagram below, the shop has set up welding curtains around the prep station. Person A, the operator, needs full PPE while the spectator B only needs dark UV glasses or a UV shield. Finally, person C is beyond the dark curtains and as such only needs standard shop glasses.



JVFASTLANE2K[®]

DON'T WAIT TO PAINT!

Powered by SPDUIV



Safety First! It is important to set up your shop in a way that nobody comes in contact with the light from close distances without the proper PPE. If you have any questions in this regard, please do not hesitate to call us at **844.258.7457** or email us at **info@spdiuv.com**.

www.uvfastlane.com