



**MOMO**  
**UPHOLSTERED PANELS**

# INTRODUCTION

DESIGNERS 07

SOFORM PANELS 08

FABRICS 13

# MOMO PANELS

PERFECT RECTANGULAR 14

COSY ELEGANCE 20

GAME OF SQUARES 32

GEOMETRIC PLAY 38

IN CIRCLES 44

# SETS

GREY AND PINK 54

GREY AND MUSTARD 66

GREEN AND GREY 80

NAVY BLUE AND GREY 94

SET IDEAS 108

SELF-ASSEMBLY 110







FREEDOM BEGINS  
**at home**

At MOMO, we believe that true freedom begins at home and rather than a defined interior style, what really matters are the needs and lifestyles of your family members. That's why it is our goal to inspire, advise and deliver complex interior solutions -matching collections of furniture, doors, floors and decorative walls.







# DESIGNERS



Every day we join forces with talented creators. Thanks to their passion, upholstered decorations not only please the eyes, but fulfil their practical role.

The panel collection includes several geometric forms. They have been made with carefully selected fabrics to diversify interiors and offer great freedom of arrangement. Upholstered headrests and recesses help to create a friendly atmosphere, and ready-made sets invite you to play with wall decorations.





# MOMO PANELS. COMFY WALL

As soft as a cushion, soft to touch just like your favourite armchair and compellingly beautiful. This description fits every wall decorated with MOMO panels. Dozens of variants and only one goal - to make you feel really comfortable in your home. Dedicated accessories will help to change the decoration into an original hanger or an inspiration board. A subtle accent or maybe the main part of a cosy arrangement? Choose your favourite shape and give your wall more meaning.



# ONE PRODUCT, MANY WORLDS



MOMO upholstered panels delight with their multiple applications. They are great as the decoration of the entire wall or when used to cover part of the wall only. They work well as a headboard or in a recesses area. Our soft to touch panels can be used anywhere you want, in the living room, in the bedroom, child's room or the hall. The wide range of shapes and sizes makes it possible to create any configuration. Play with your arrangements, combine the square with a rectangular or geometrical shape with circles. Enjoy the makeover of your favourite space.





# FABRICS

TON FABRIC  
NAVY BLUE VELVET SHINY



TON FABRIC  
BLACK VELVET MATT



PETRUS FABRIC  
GRAPHITE TWEED

MANGO FABRIC  
GREY MELANGE



TON FABRIC  
MUSTARD VELVET SHINY

BURANO FABRIC  
LIGHT PINK VELVET MATT

CHOPPER FABRIC  
PINK MELANGE



GEORGE FABRIC  
BOTTLE GREEN  
VELVET SHINY



MANGO FABRIC  
GREEN MELANGE



SCOT FABRIC  
GREY VELVET MATT

ANGUS FABRIC  
BEIGE TWEED

CLARK FABRIC  
GREY WOOL



A diagonal weave, stain-resistant knitted fabric with a fine structure, smooth velour with a velvet sheen or robust fabric with natural wool - there is no coincidence in the selection of fabrics. MOMO upholstered panels captivate with their interesting looks and are comfortable to use. You can choose from 9 different fabrics in 12 colours. The upholstery may be hydrophobic, fire or abrasion resistant. Choose a solution that will fulfill your design fantasies.





PANEL REGULAR 1, GREY WOOL

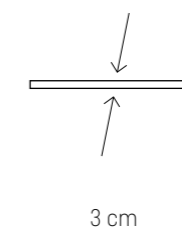
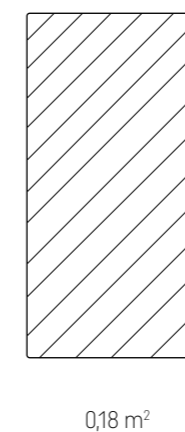
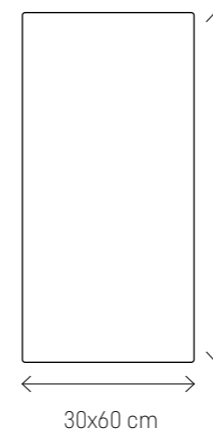
## PERFECT RECTANGLE



The panels have universal shapes and colours so they can easily be used to cover large wall areas, for instance in the hall. A grey composition made with grey rectangles creates a soft to touch backrest and ensures everyday comfort. Add some hooks to organise the space for coats and jackets of your nearest and dearest. Feel more comfortable and impress your guests at the very entrance.



# REGULAR 1



WIDE RANGE OF COLOURS



LIGHTNESS



EASY INSTALLATION



MADE IN POLAND



## MOMO COLOURS



Beige Tweed



Graphite Tweed



Grey Wool



Pink Melange



Green Melange



Grey Melange



Light Pink  
Velvet Matt



Grey Velvet  
Matt



Black Velvet  
Matt



Mustard Velvet  
Shiny

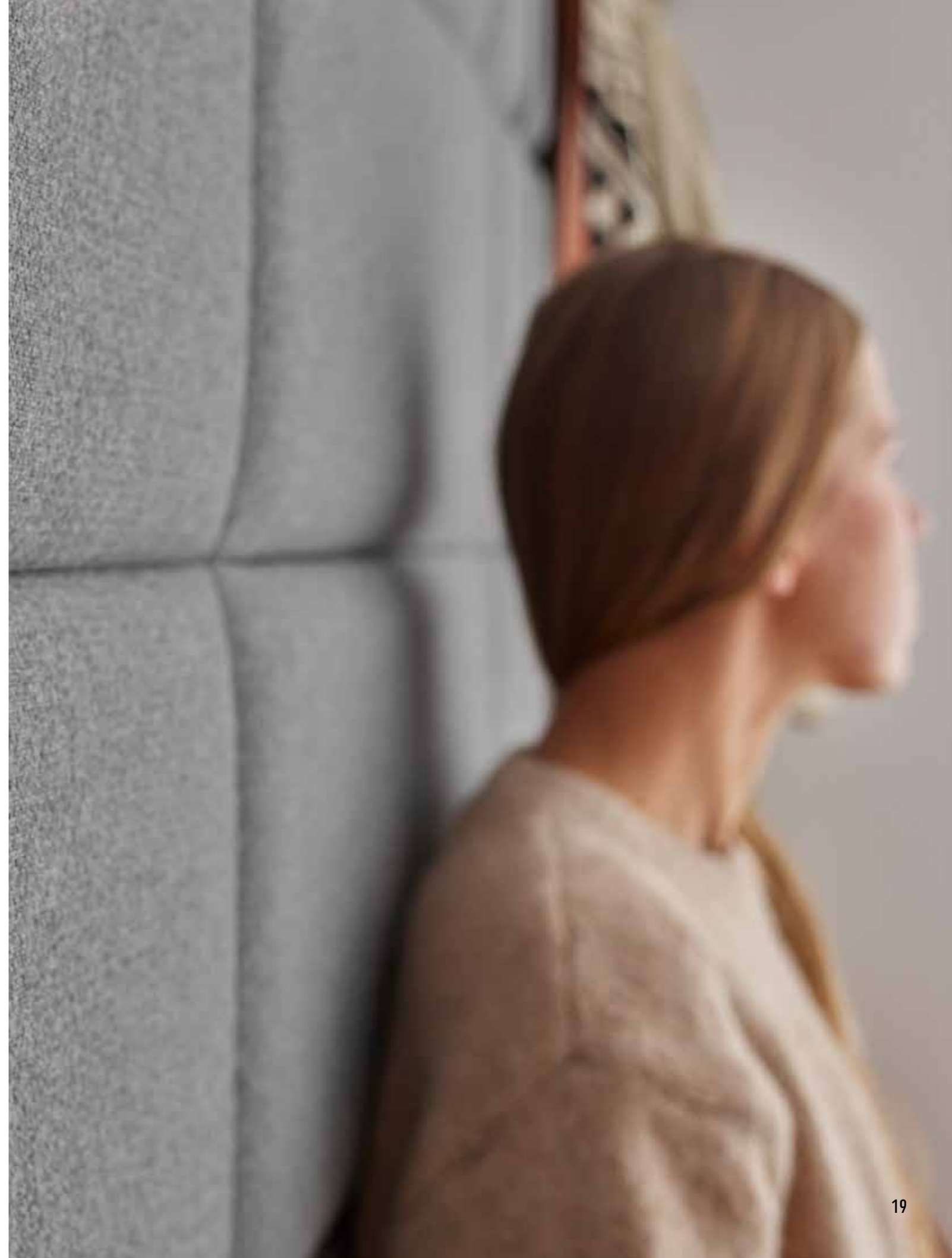


Bottle Green  
Velvet Shiny



Navy Blue  
Velvet Shiny

Grey Wool fits nicely in halls, and Navy Blue Velvet Shiny – in your study. There is a choice from among 12 different colours.







PANEL REGULAR 2, BLACK VELVET MATT

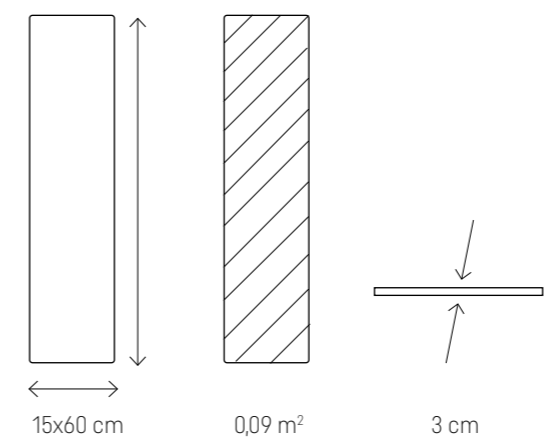
## COSY ELEGANCE



Elegance can take on many different faces and feels great in the company of cosiness. The slightly elongated shape of the panels offers great freedom of arrangement. You can create a unique headrest for your bed to feel comfortable during your evening reading session, while giving the impression of unusual warmth. You can easily choose the right colour to create a harmonious duet with your furniture. Here every arrangement is always a success.





# REGULAR 2



-  WIDE RANGE OF COLOURS
-  LIGHTNESS
-  EASY INSTALLATION
-  MADE IN POLAND



## MOMO COLOURS



Beige Tweed



Graphite Tweed



Grey Wool



Pink Melange



Green Melange



Grey Melange



Light Pink  
Velvet Matt



Grey Velvet  
Matt



Black Velvet  
Matt



Mustard Velvet  
Shiny



Bottle Green  
Velvet Shiny



Navy Blue  
Velvet Shiny

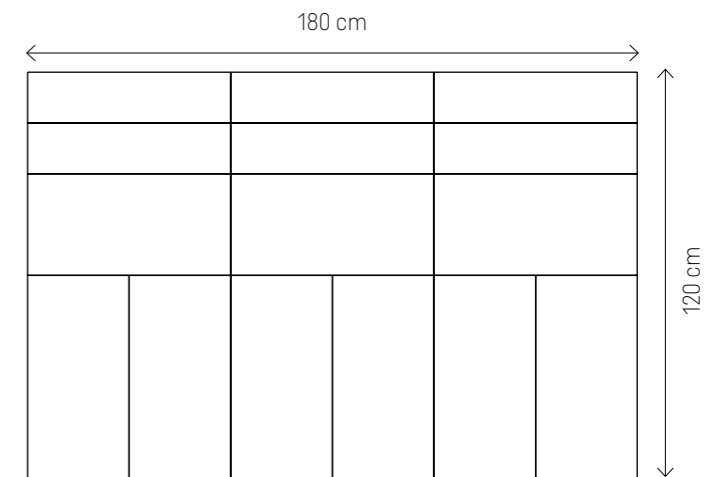
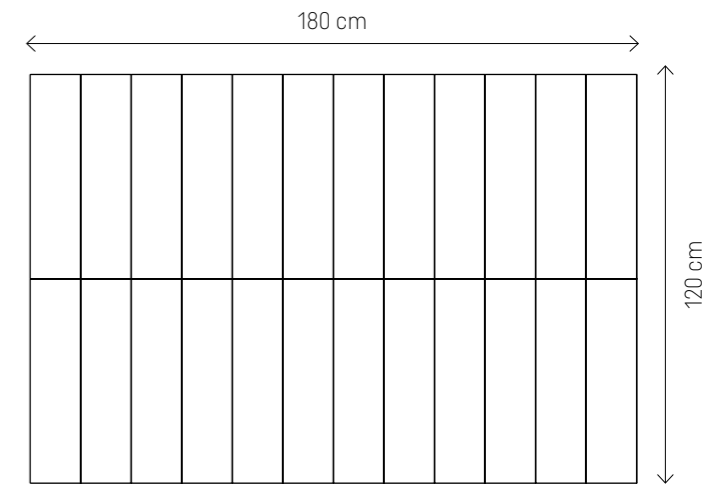
Green Melange works well in a boy's room, and Grey Velvet Matt will perfectly furnish the living room. There are many options available with which you can distinguish any space in your home.







## MOMO EXAMPLE SETS



The panels can be combined in many ways. Rectangles offer the most flexibility and work well together both vertically and horizontally. Arrange them in a parallel or perpendicular manner and combine shades and fabrics. Discover the endless possibilities offered by Soform panels.



**ATTENTION!**

Upholstered panels are a solution that offer both decorative and practical value. Aesthetically finished, they provide additional acoustic insulation, insulate the wall and cover small irregularities on its surface.

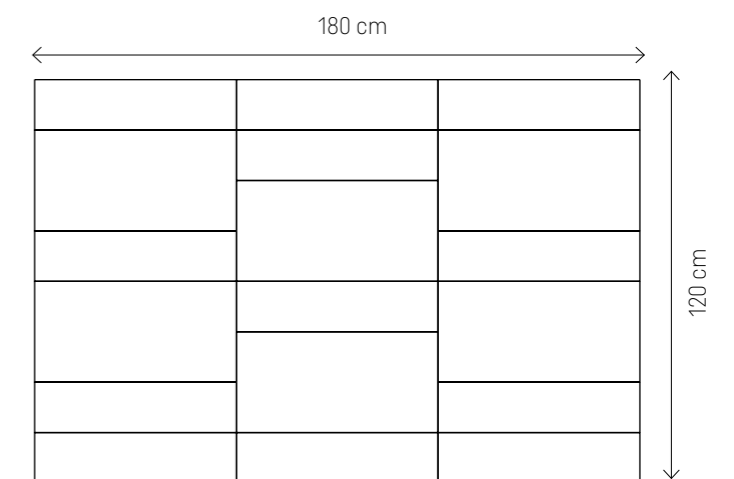
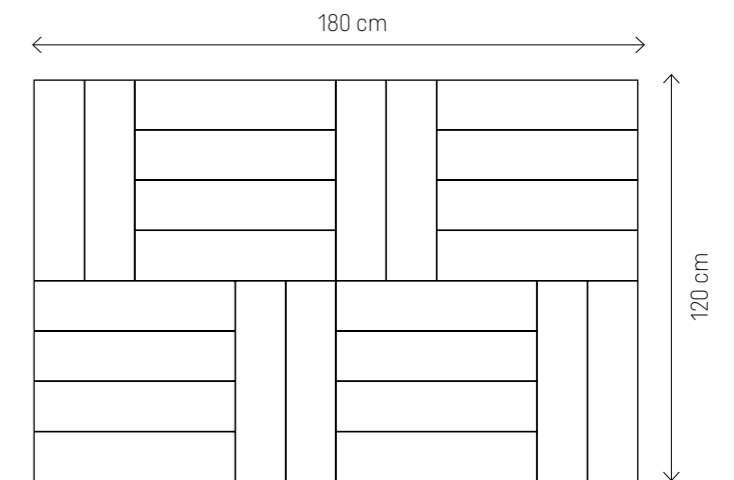






PANEL REGULAR 2, GREEN MELANGE  
 PANEL REGULAR 2, BOTTLE GREEN VELVET SHINY

## MOMO EXAMPLE SETS



By combining MOMO upholstered panels you can create functional compositions. The available shapes, fabrics and shades were selected by MOMO designers to create a perfect harmony.





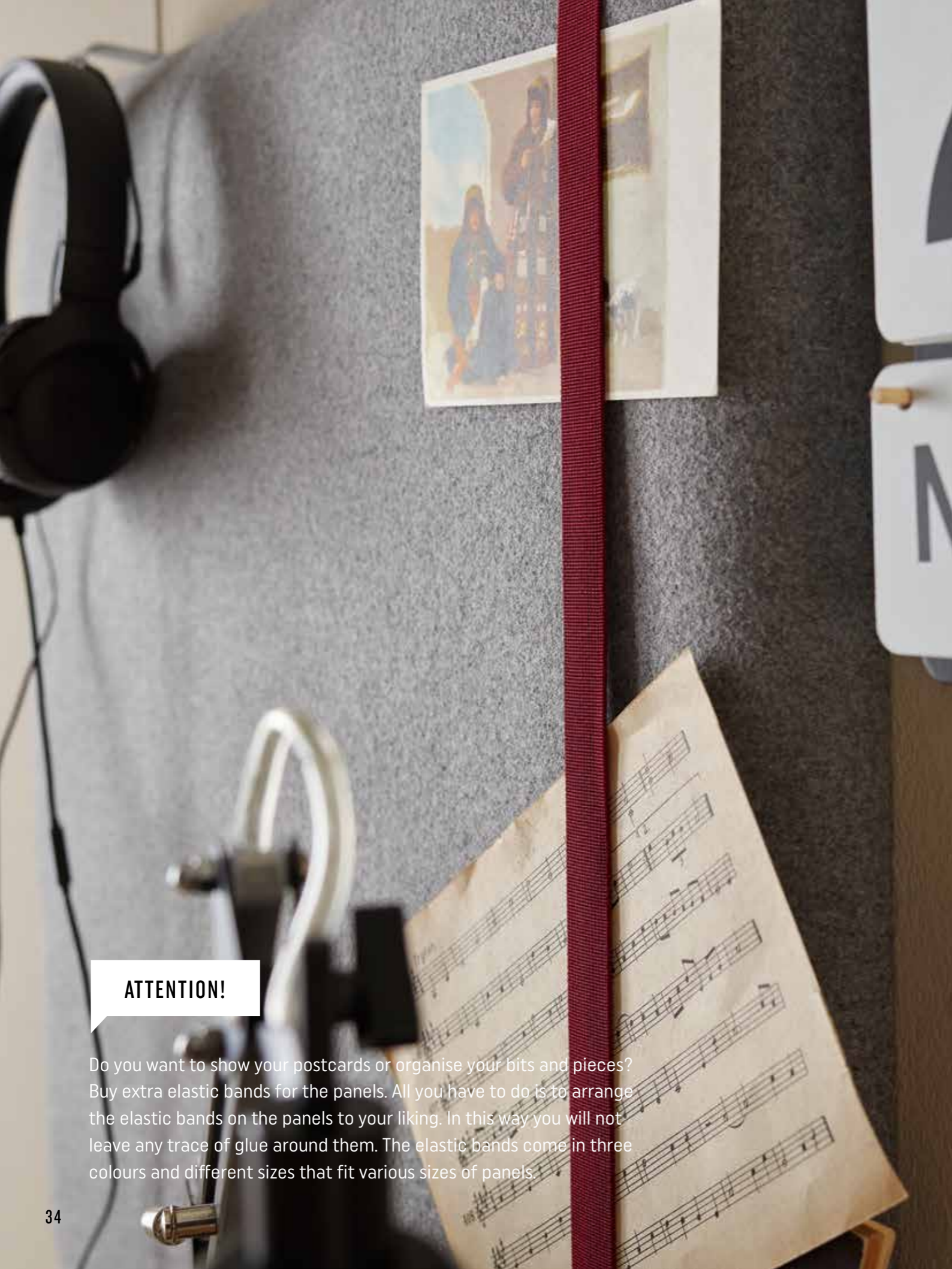
PANEL REGULAR 3, GREY WOOL  
PANEL REGULAR 3, BEIGE TWEED  
REGULAR 2, GREY WOOL

## GAME OF SQUARES

When you recall your childhood playground games and being inspired by this memory, assemble a new composition. Large square panels are a great addition to your study or study corner.

Mounted above the desk they will serve as a pin board for important notes and inspirations, yet making your interior feel a bit more cosy. It is extremely easy to combine them with other panels, for example Regular 1 and Regular 2, creating a composition perfectly suited to your specific needs.

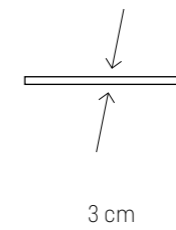
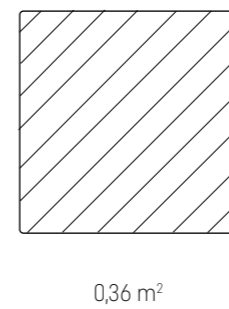
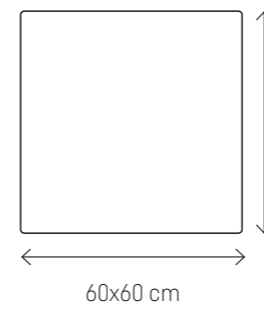
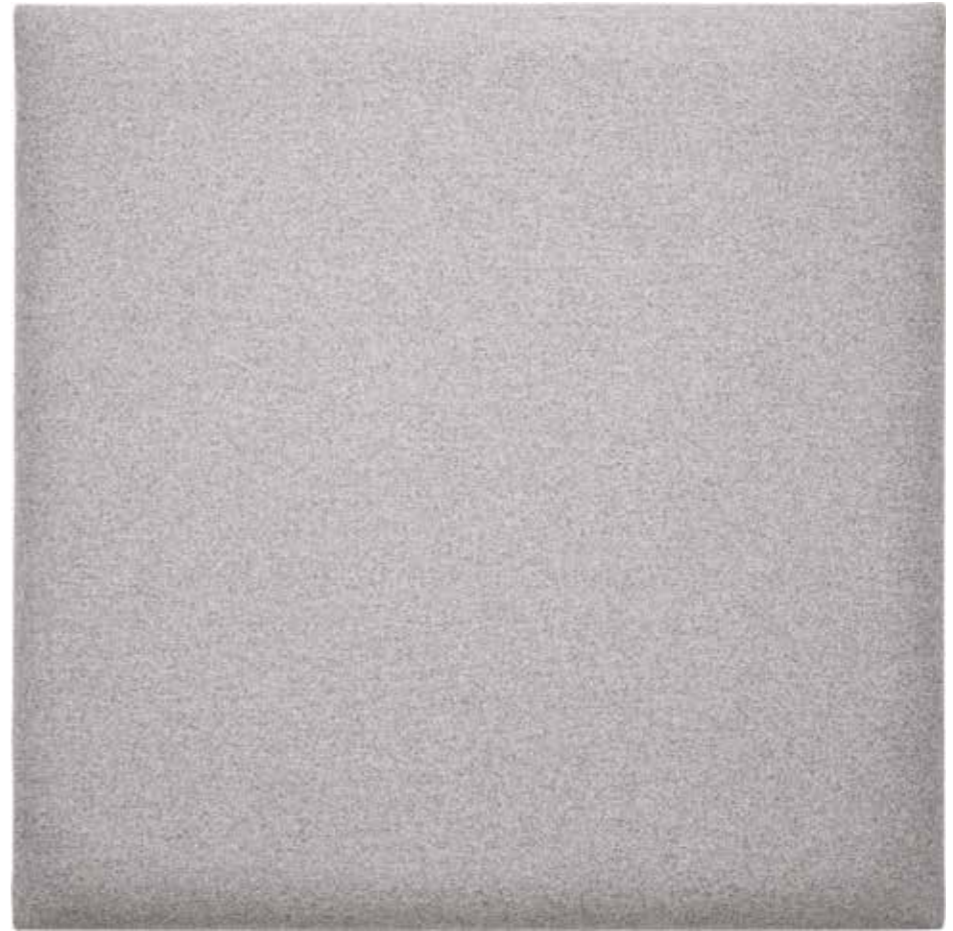




**ATTENTION!**

Do you want to show your postcards or organise your bits and pieces? Buy extra elastic bands for the panels. All you have to do is to arrange the elastic bands on the panels to your liking. In this way you will not leave any trace of glue around them. The elastic bands come in three colours and different sizes that fit various sizes of panels.

**REGULAR 3**





# MOMO COLOURS



Beige Tweed



Graphite Tweed



Grey Wool



Pink Melange



Green Melange



Grey Melange



Light Pink  
Velvet Matt



Grey Velvet  
Matt



Black Velvet  
Matt



Mustard Velvet  
Shiny



Bottle Green  
Velvet Shiny



Navy Blue  
Velvet Shiny

Graphite Tweed in the dining room, or maybe Mustard Velvet Shiny in the living room? Choose the best colour for your home.





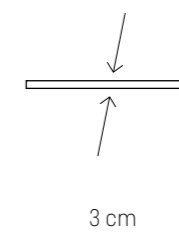
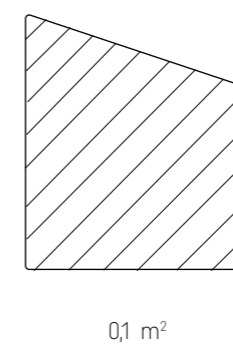
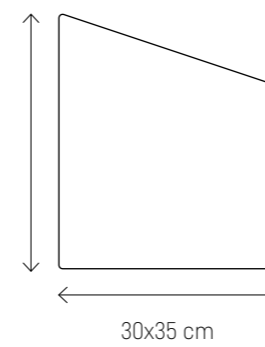


PANEL GEO, PINK MELANGE

## GEOMETRIC PLAY

Enrich your interior with a soft backrest and a unique wall decoration in one. Slanted panels will appeal to all fans of unusual solutions. They can be used to arrange a headboard in your bedroom - such irregular composition will distinguish this personal space among others.





WIDE RANGE  
OF COLOURS



LIGHTNESS



EASY  
INSTALLATION



MADE IN  
POLAND



# MOMO COLOURS



Beige Tweed



Graphite Tweed



Grey Wool



Pink Melange



Green Melange



Grey Melange



Light Pink  
Velvet Matt



Grey Velvet  
Matt



Black Velvet  
Matt



Mustard Velvet  
Shiny



Bottle Green  
Velvet Shiny



Navy Blue  
Velvet Shiny

Beige Tweed in a subdued hallway or Velvet Shiny Bottle Green in a tasteful guest bedroom? Choose a colour that will give the right character to your space.







PANEL OVAL 1, LIGHT PINK VELVET MATT

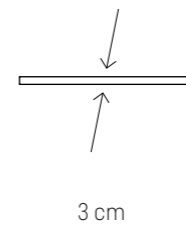
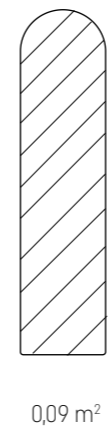
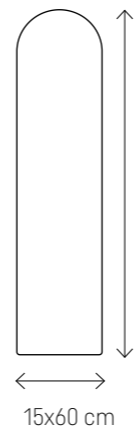
## IN CIRCLES

Do round shapes appeal more to you than edgy geometry? You can opt for panels with rounded edges, available in three variants. They will be great as decorative wall protection in your child's room, a little fence in the drawing corner or quilted panels to which your little one will be able to attach their favourite pictures. You can create your own cosy composition.





OVAL 1





## MOMO COLOURS



Beige Tweed



Graphite Tweed



Grey Wool



Pink Melange



Green Melange



Grey Melange



Light Pink  
Velvet Matt



Grey Velvet  
Matt



Black Velvet  
Matt



Mustard Velvet  
Shiny



Bottle Green  
Velvet Shiny



Navy Blue  
Velvet Shiny

Pink Melange works well in a feminine space, and Black Velvet Matt might complete an elegant bedroom.





## OVAL 2



Beige Tweed

Graphite Tweed

Grey Wool

Pink Melange



Green Melange

Grey Melange

Light Pink  
Velvet Matt

Grey Velvet  
Matt



Black Velvet  
Matt

Mustard Velvet  
Shiny

Bottle Green  
Velvet Shiny

Navy Blue  
Velvet Shiny

## OVAL 3



Beige Tweed

Graphite Tweed

Grey Wool

Pink Melange



Green Melange

Grey Melange

Light Pink  
Velvet Matt

Grey Velvet  
Matt

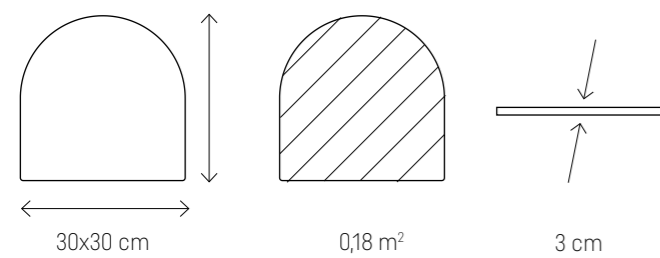


Black Velvet  
Matt

Mustard Velvet  
Shiny

Bottle Green  
Velvet Shiny

Navy Blue  
Velvet Shiny



Grey Melange in the bedroom,  
or Light Pink Velvet Matt in a girl's room?  
You decide about the looks of your walls.







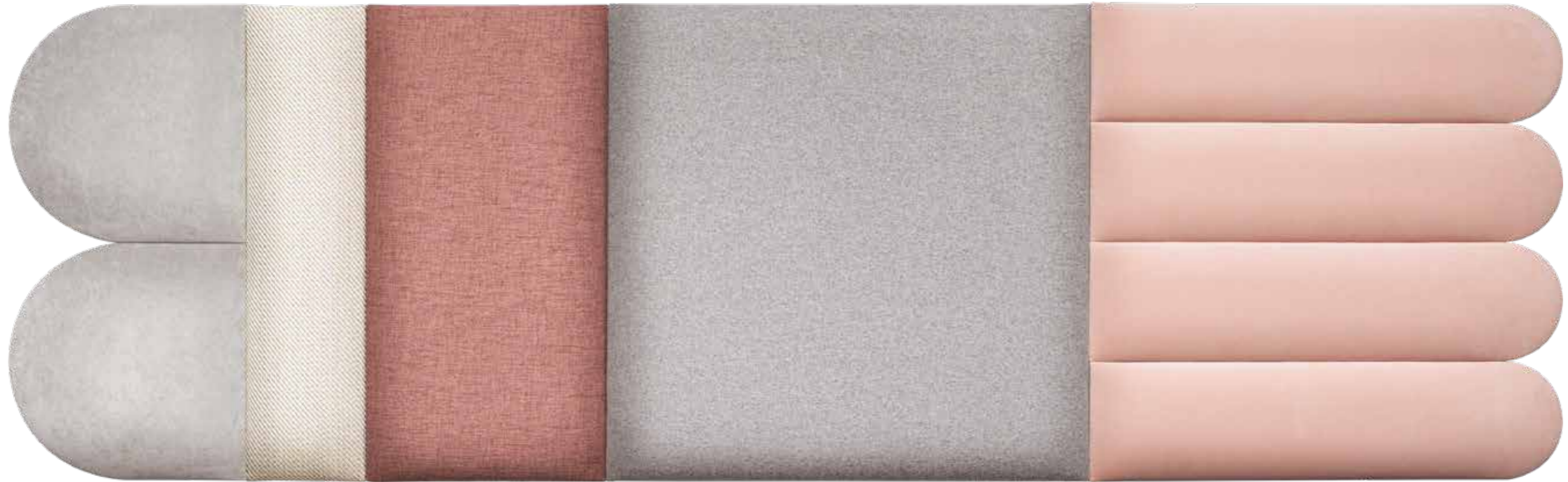
## MOMO SETS. JUST CHOOSE

Too much choice? Maybe you prefer to use one of the ready-made sets offered by MOMO designers. The available sets come in 5 sizes and 4 carefully chosen colour pallets. Well thought-through composition made with our panels may become a cosy addition to the living room, bedroom or the hall. Examine all the options and make your interior unique with simple and quick solution!



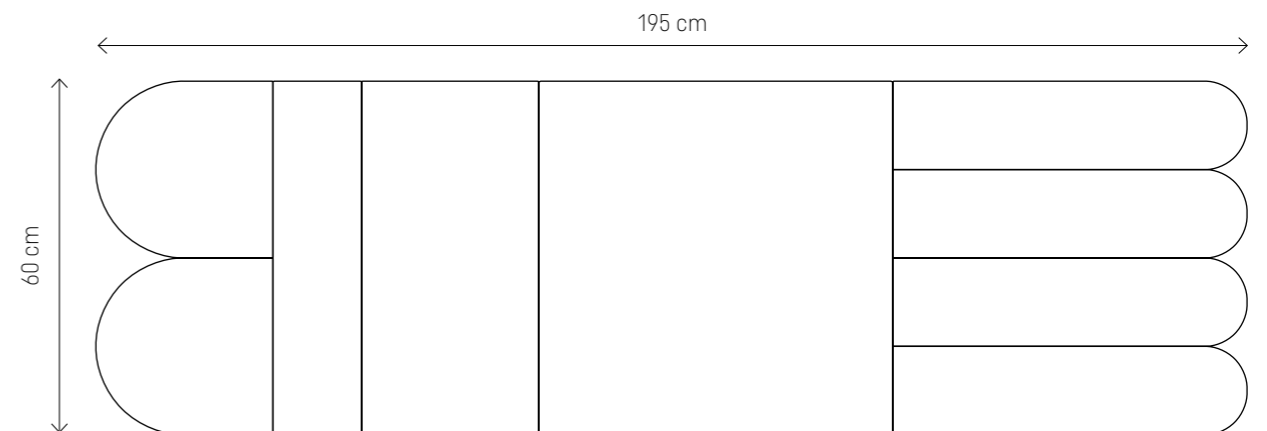


**LARGE MOMO SET OVAL  
GREY AND PINK**



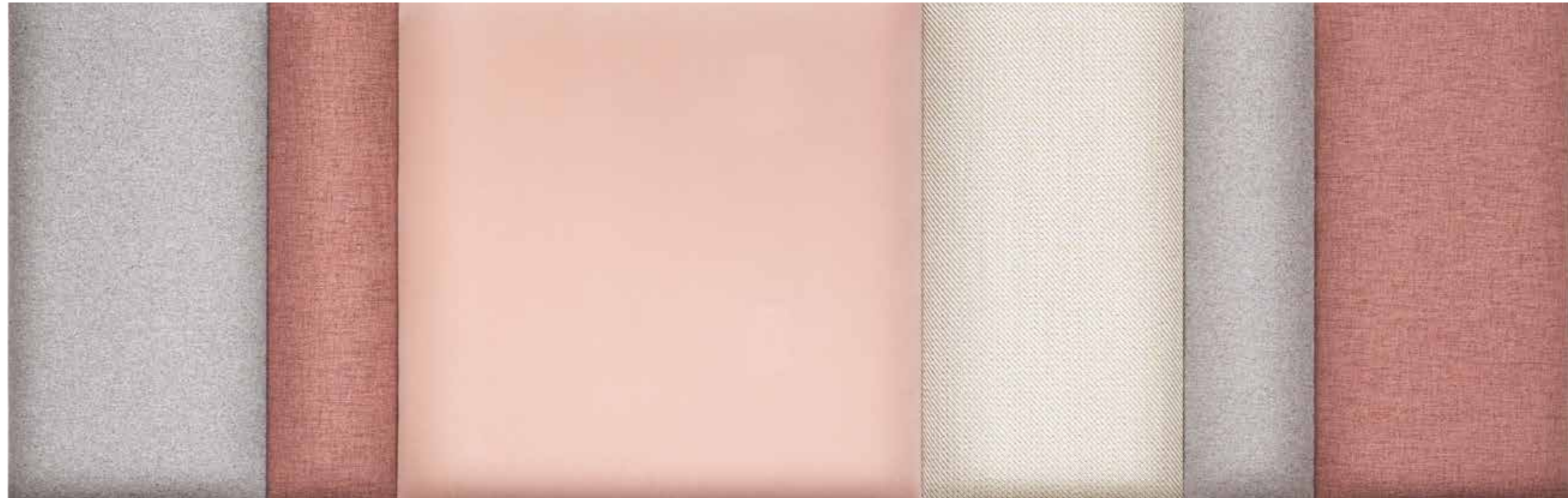
**ELEMENTS**

- OVAL 2 | Grey Velvet Matt 2 pcs.
- REGULAR 2 | Beige Tweed 1 pc.
- REGULAR 1 | Pink Melange 1 pc.
- REGULAR 3 | Grey Wool 1 pc.
- OVAL 1 | Light Pink Velvet Matt 4 pcs.



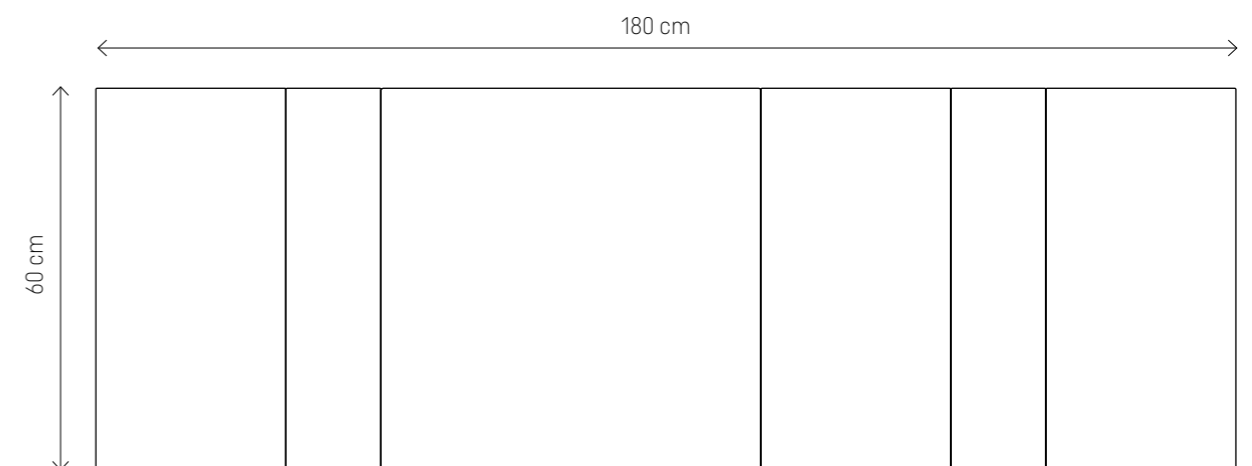


**LARGE MOMO SET REGULAR  
GREY AND PINK**



**ELEMENTS**

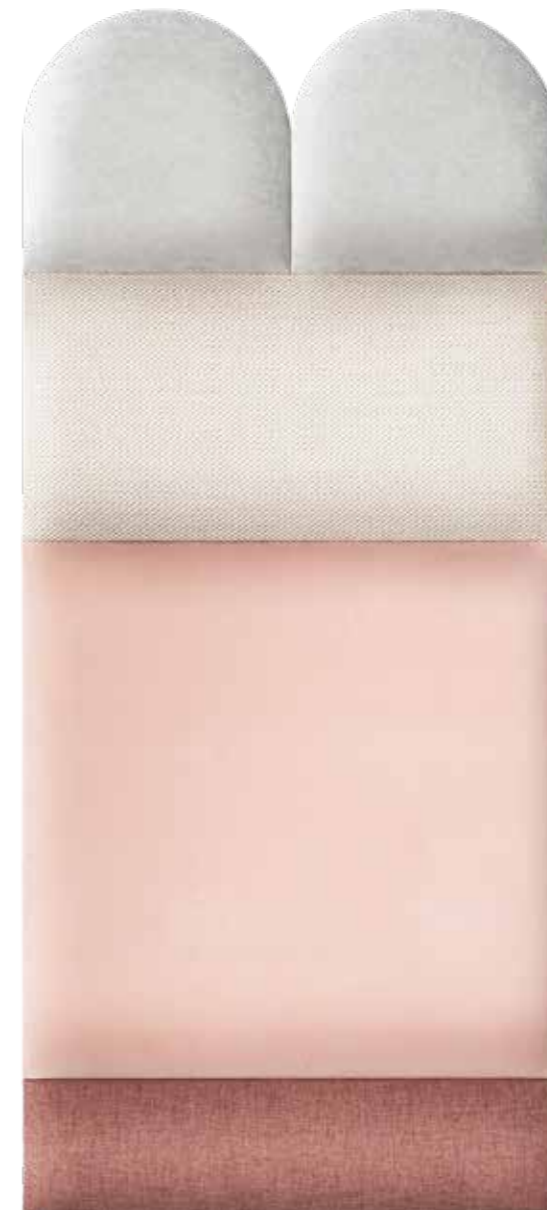
- REGULAR 1 | Grey Wool 1 pc.
- REGULAR 2 | Pink Melange 1 pc.
- REGULAR 3 | Light Pink Velvet Matt 1 pc.
- REGULAR 1 | Beige Tweed 1 pc.
- REGULAR 2 | Grey Wool 1 pc.
- REGULAR 1 | Pink Melange 1 pc.





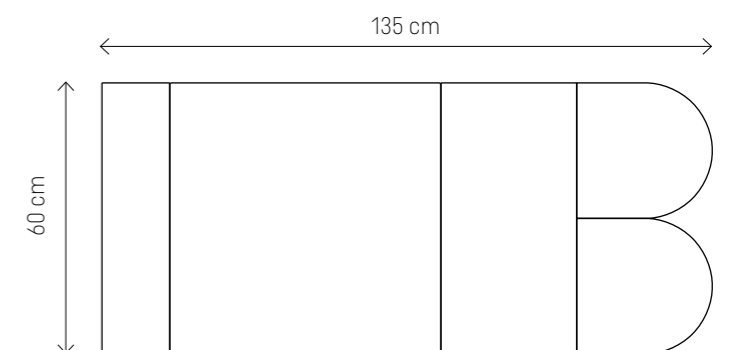


**MEDIUM-SIZE MOMO SET  
GREY AND PINK**



**ELEMENTS**

- OVAL 2 | Grey Velvet Matt 2 pcs.
- REGULAR 1 | Beige Tweed 1 pc.
- REGULAR 3 | Light Pink Velvet Matt 1 pc.
- REGULAR 2 | Pink Melange 1 pc.







The sets can be mounted on the wall horizontally or vertically.  
Choose the best option for yourself.

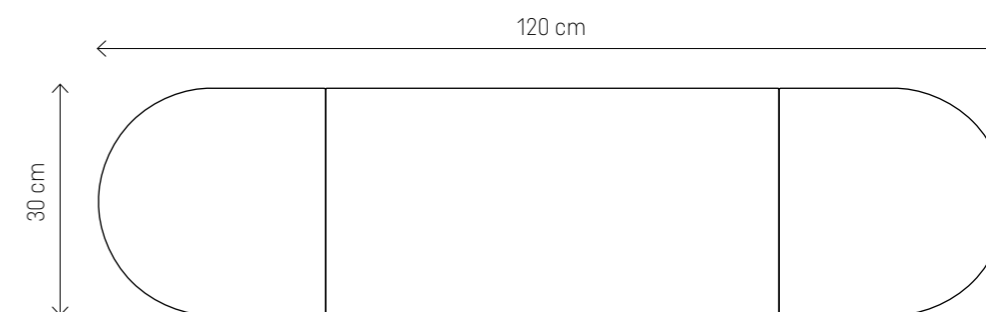


SMALL MOMO SET  
GREY AND PINK



ELEMENTS

- OVAL 2 | Light Pink Velvet Matt 1 pc.
- REGULAR 2 | Grey Wool 1 pc.
- OVAL 2 | Pink Melange 1 pc.



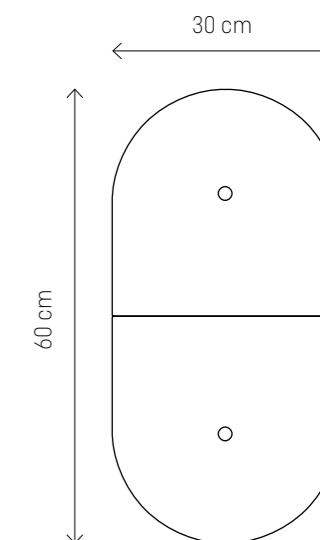




**ATTENTION!**

Notes, photos or souvenirs can be attached to the panels with pins or drawing pins. It is quick and easy to have all your important belongings anywhere you want.

**MINI MOMO SET  
GREY AND PINK**



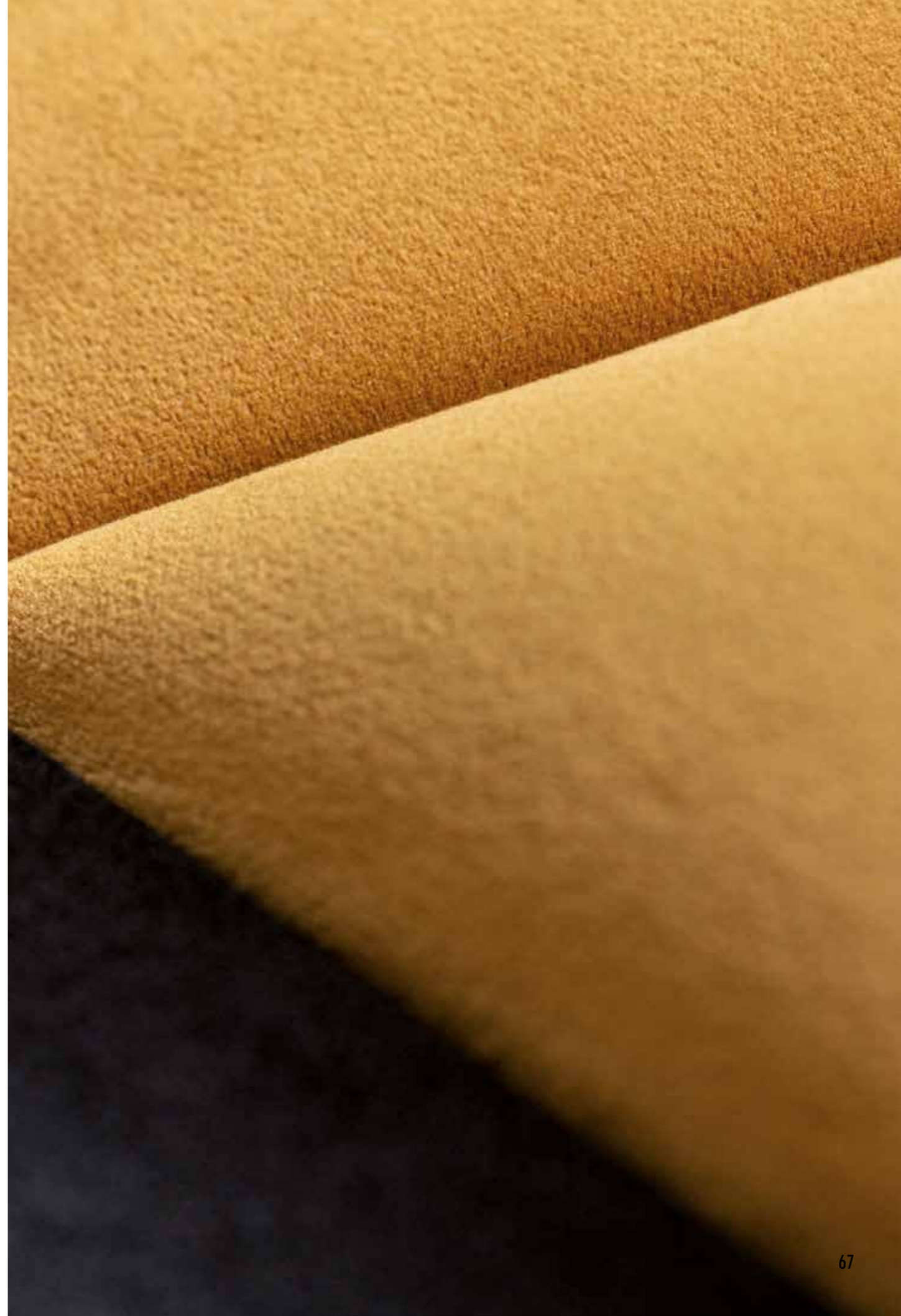
**ELEMENTS**

- OVAL 3 | Light Pink Velvet Matt 1 pc.
- OVAL 3 | Grey Wool 1 pc.

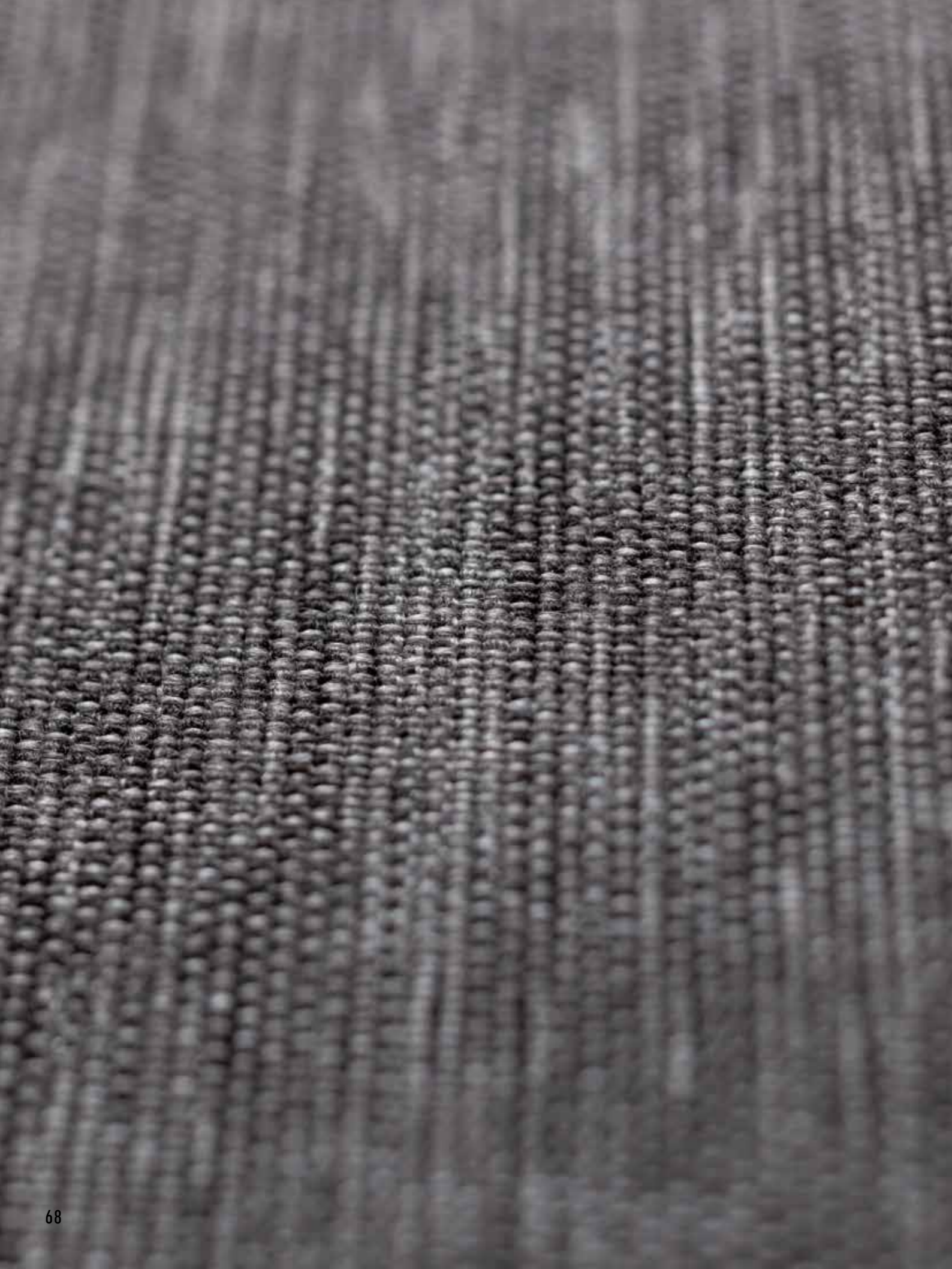




The composition attracts attention with its choice of colours - subdued grey and black are a great complement to the saturated mustard yellow.





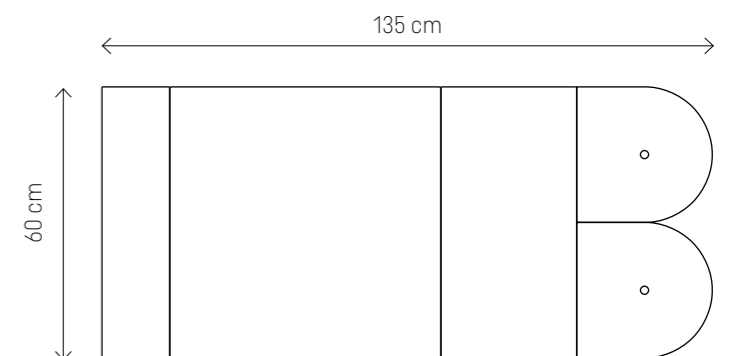


# MEDIUM-SIZE MOMO SET GREY AND MUSTARD



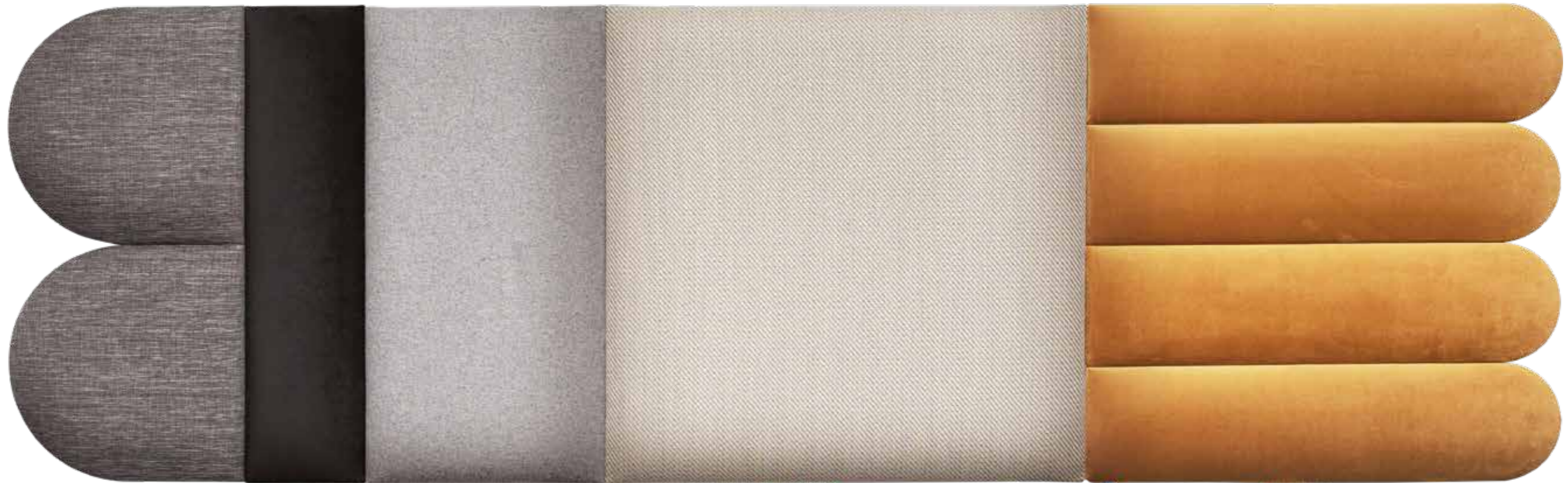
## ELEMENTS

- REGULAR 2 | Black Velvet Matt 1 pc.
- REGULAR 3 | Grey Melange 1 pc.
- REGULAR 1 | Beige Tweed 1 pc.
- OVAL 3 | Mustard Velvet Shiny 2 pc.



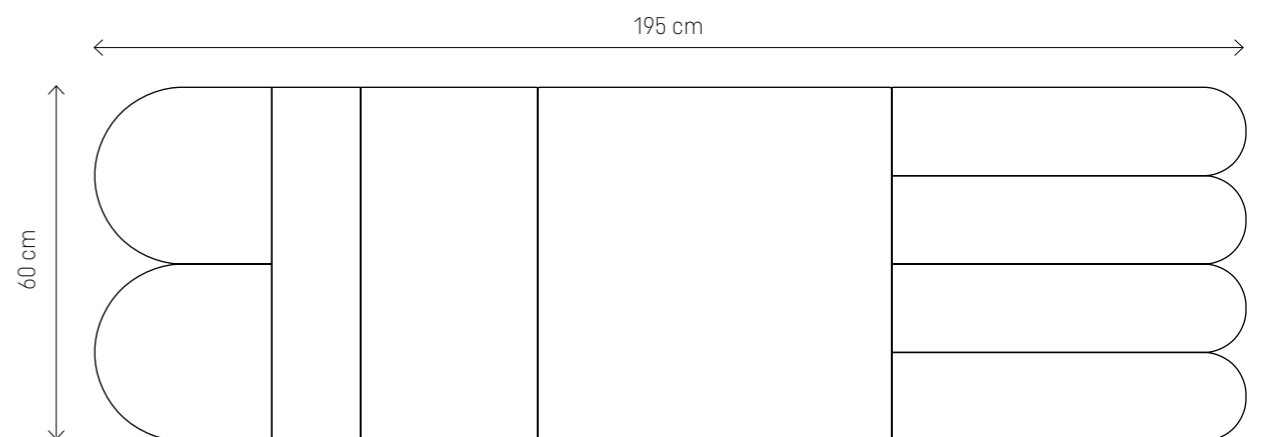


**LARGE MOMO SET OVAL  
GREY AND MUSTARD**



**ELEMENTS**

- OVAL 2 | Grey Melange 2 pcs.
- REGULAR 2 | Black Velvet Matt 1 pc.
- REGULAR 1 | Grey Wool 1 pc.
- REGULAR 3 | Beige Tweed 1 pc.
- OVAL 1 | Mustard Velvet Shiny 4 pcs.



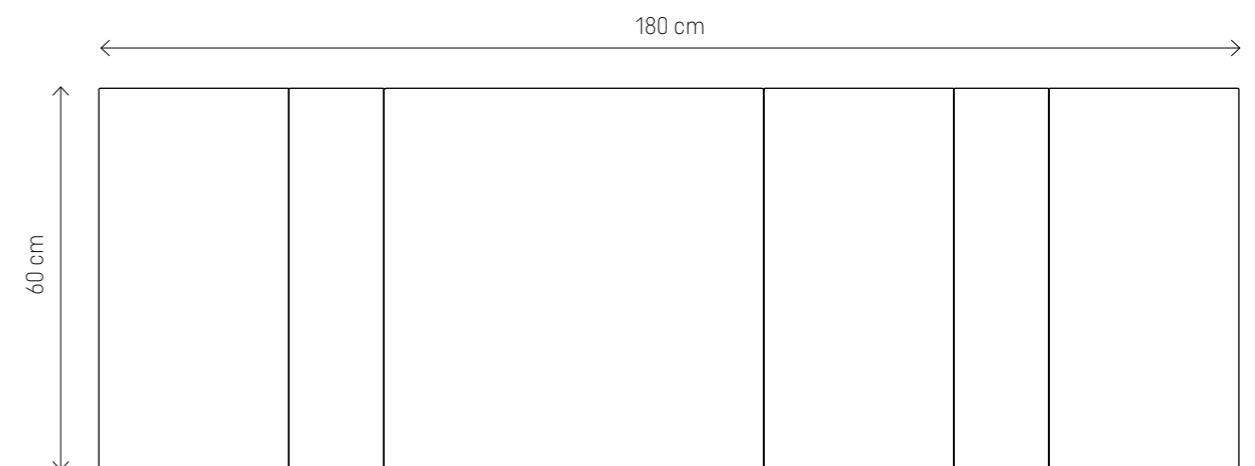


**LARGE MOMO SET REGULAR  
GREY AND MUSTARD**



**ELEMENTS**

- REGULAR 1 | Mustard Velvet Shiny 1 pc.
- REGULAR 2 | Black Velvet Matt 1 pc.
- REGULAR 3 | Grey Melange 1 pc.
- REGULAR 1 | Beige Tweed 1 pc.
- REGULAR 2 | Black Velvet Matt 1 pc.
- REGULAR 1 | Grey Wool 1 pc.

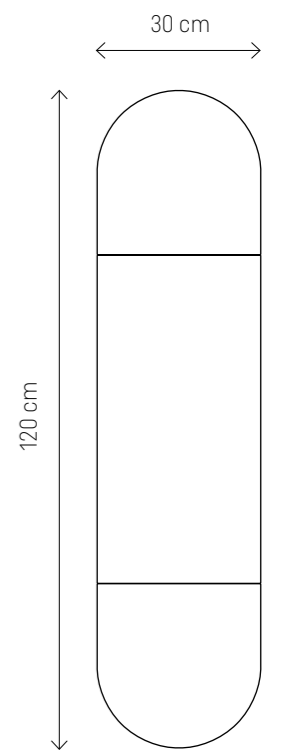








**SMALL MOMO SET  
GREY AND MUSTARD**



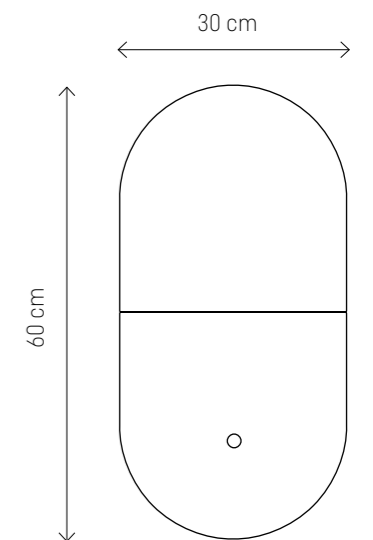
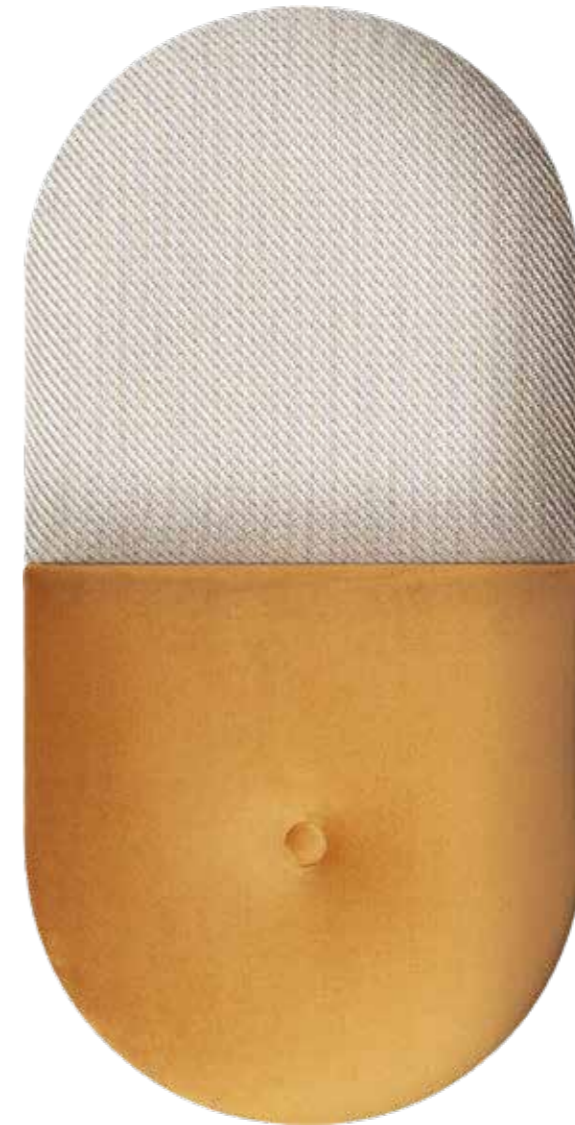
**ELEMENTY**

- OVAL 2 | Black Velvet Matt 1 pc.
- REGULAR 2 | Mustard Velvet Shiny 1 pc.
- OVAL 2 | Beige Tweed 1 pc.





# MINI MOMO SET GREY AND MUSTARD



## ELEMENTS

- OVAL 2 | Beige Tweed 1 pc.
- OVAL 3 | Mustard Velvet Shiny 1 pc.





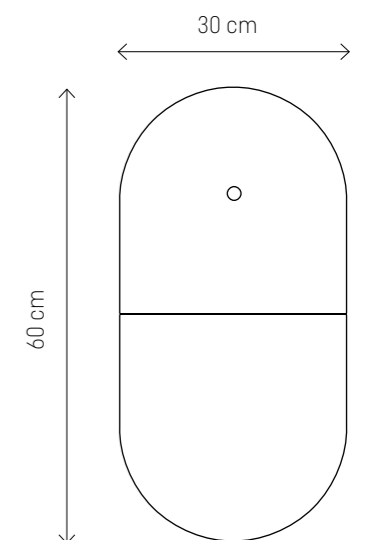
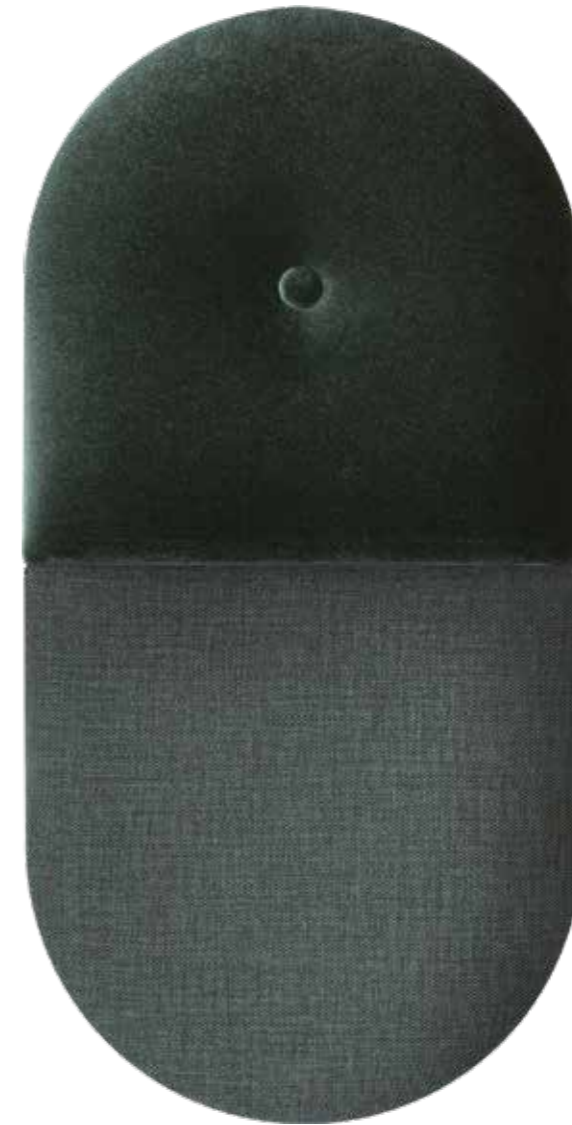




**ATTENTION!**

The panels can be equipped with hooks to hang your handbag or a charger. A metal hook should be placed between the chosen panels before they are attached to the wall.

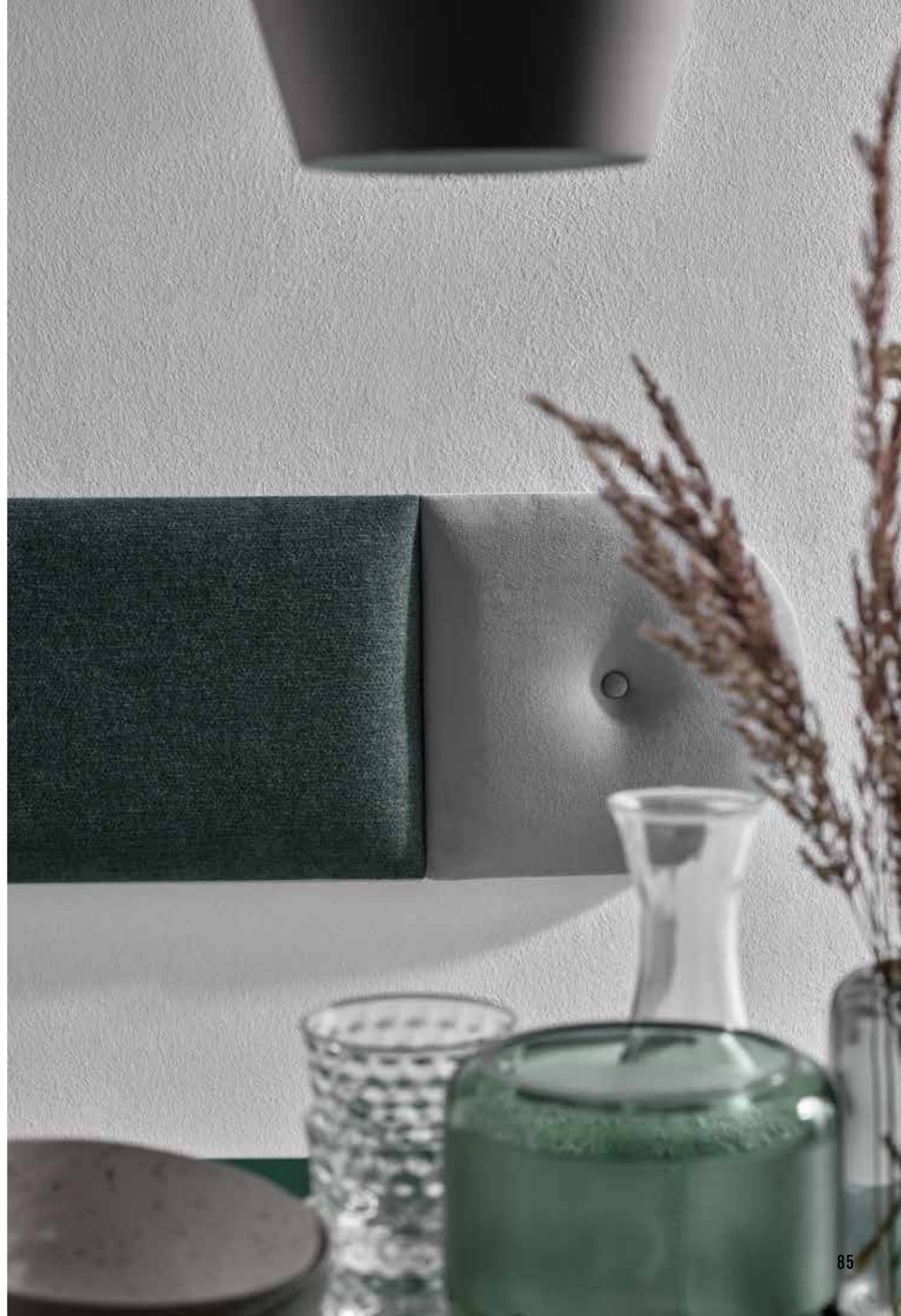
**MINI MOMO SET  
GREEN AND GREY**



**ELEMENTS**

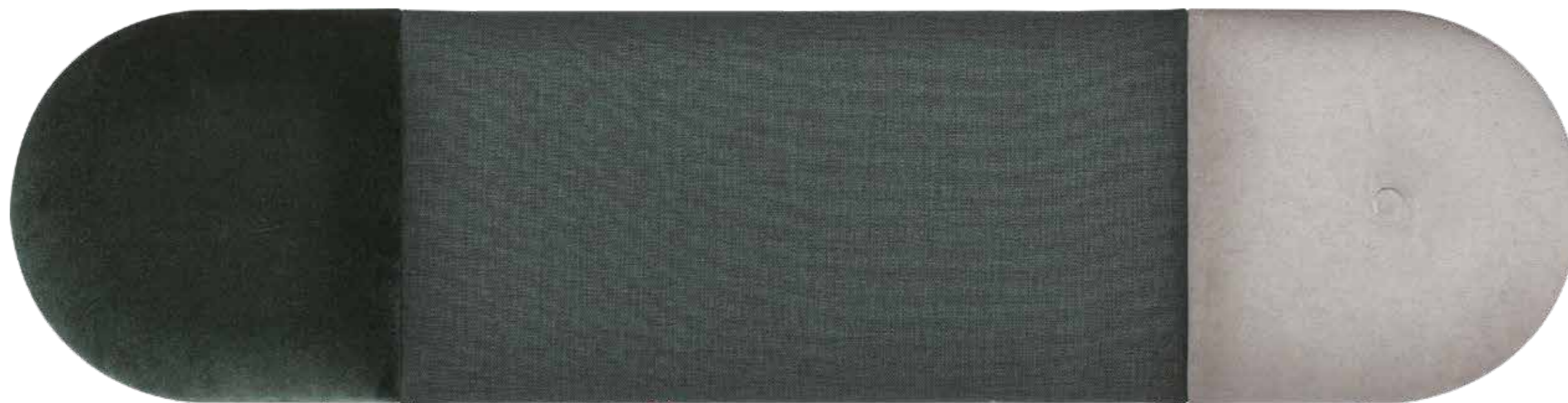
- OVAL 3 | Bottle Green Velvet Shiny 1 pc.
- OVAL 2 | Green Melange 1 pc.







SMALL MOMO SET  
GREEN AND GREY



ELEMENTS

- OVAL 2 | Bottle Green Velvet Shiny 1 pc.
- REGULAR 2 | Green Melange 1 pc.
- OVAL 3 | Grey Velvet Matt 1 pc.





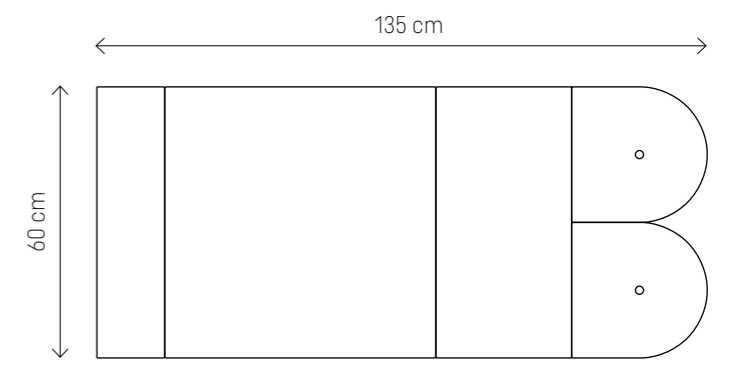


**MEDIUM-SIZE MOMO SET  
GREEN AND GREY**



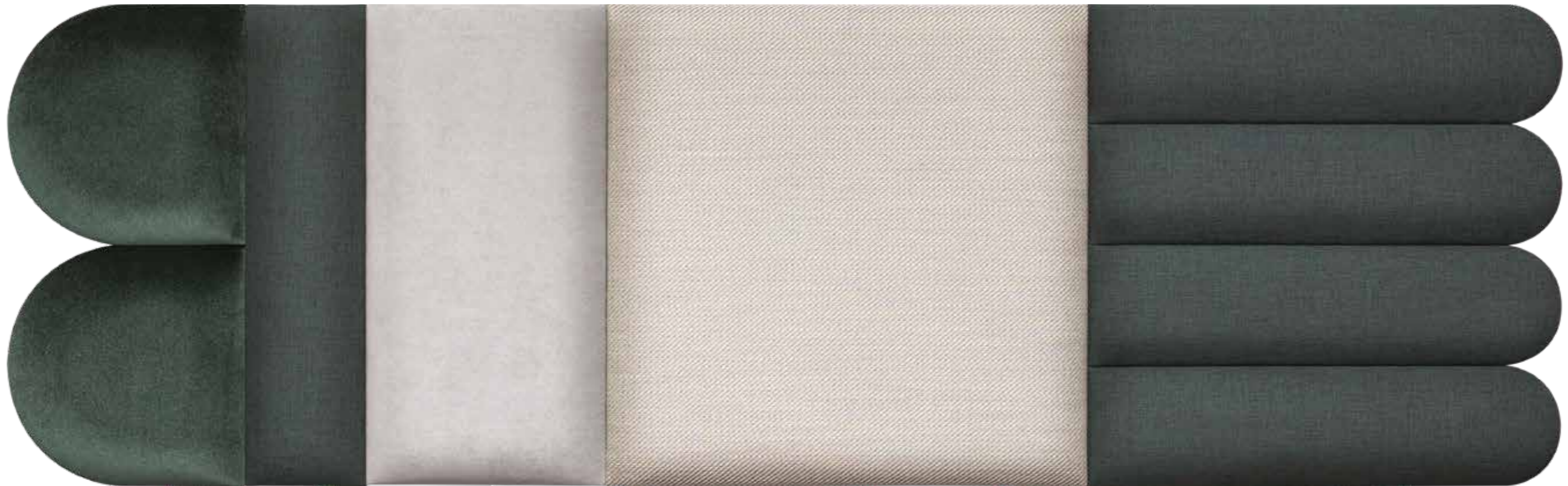
**ELEMENTS**

- REGULAR 2 | Grey Velvet Matt 1 pc.
- REGULAR 3 | Green Melange 1 pc.
- REGULAR 1 | Beige Tweed 1 pc.
- OVAL 3 | Bottle Green Velvet Shiny 2 pcs.



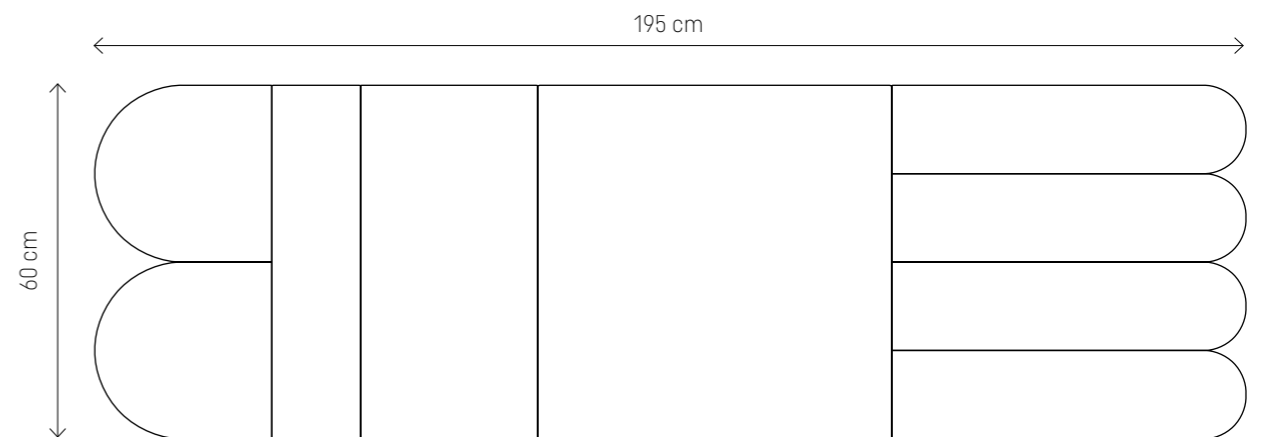


LARGE MOMO SET OVAL  
GREEN AND GREY



ELEMENTS

- OVAL 2 | Bottle Green Velvet Shiny 2 pcs.
- REGULAR 2 | Green Melange 1 pc.
- REGULAR 1 | Grey Velvet Matt 1 pc.
- REGULAR 3 | Beige Tweed 1 pc.
- OVAL 1 | Green Melange 4 pcs.



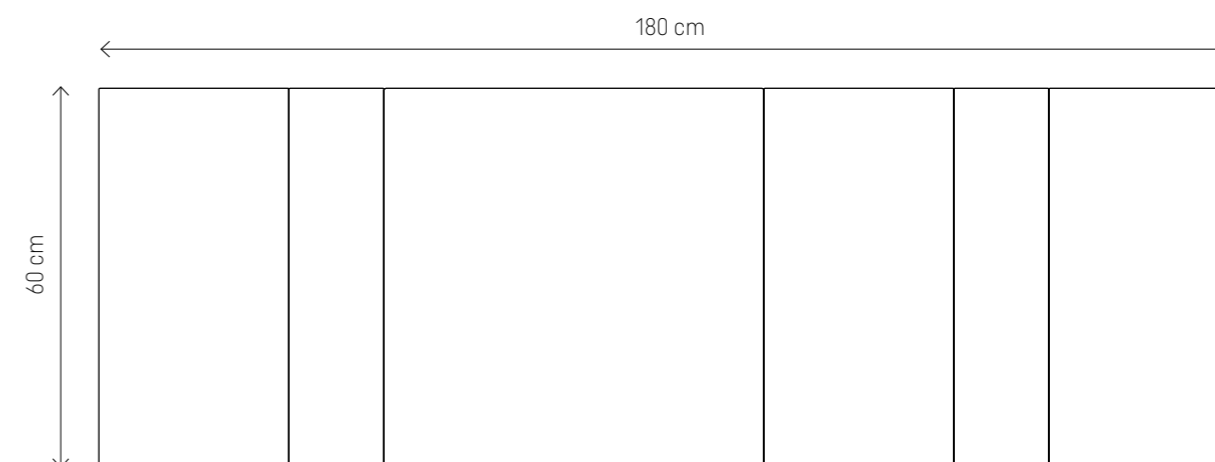


**LARGE MOMO SET REGULAR  
GREEN AND GREY**



**ELEMENTS**

- REGULAR 1 | Grey Velvet Matt 1 pc.
- REGULAR 2 | Bottle Green Velvet Shiny 1 pc.
- REGULAR 3 | Green Melange 1 pc.
- REGULAR 1 | Beige Tweed 1 pc.
- REGULAR 2 | Grey Velvet Matt 1 pc.
- REGULAR 1 | Green Melange 1 pc.







Let your interior become the stage for your creativity. The set of rectangular Regular panels will ensure your comfort while reading in the evening or enjoying your passion for music. Two quilted Oval panels put together constitute a perfect base for photographs and notes. If you wish to create a comfy office space you can combine Regular and Oval panels over your desk to organize your bits and pieces.

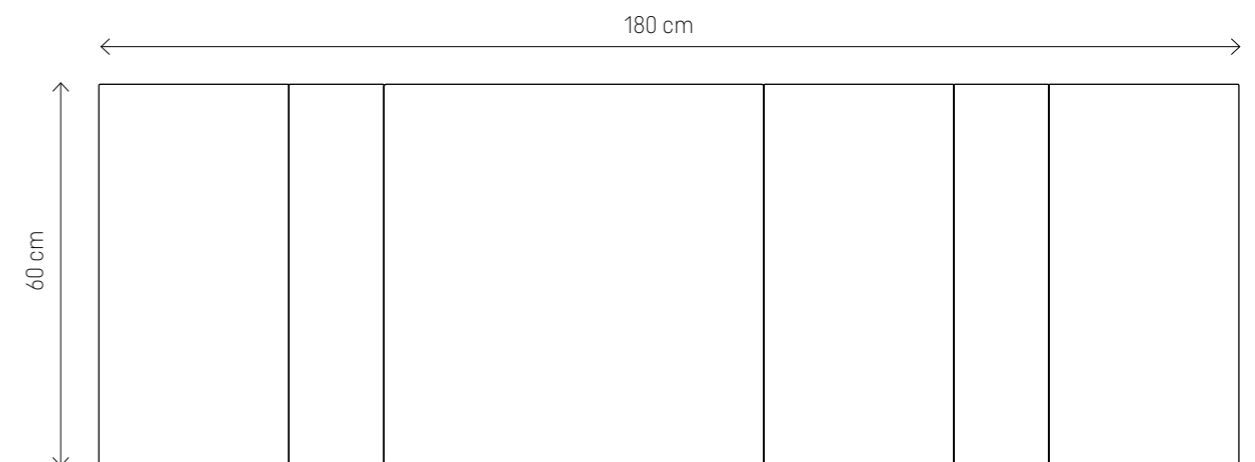


**LARGE MOMO SET REGULAR  
NAVY BLUE AND GREY**



**ELEMENTS**

- REGULAR 1 | Grey Velvet Matt 1 pc.
- REGULAR 2 | Navy Blue Velvet Shiny 1 pc.
- REGULAR 1 | Beige Tweed 1 pc.
- REGULAR 3 | Graphite Tweed 1 pc.
- REGULAR 2 | Grey Velvet Matt 1 pc.
- REGULAR 1 | Navy Blue Velvet Shiny 1 pc.



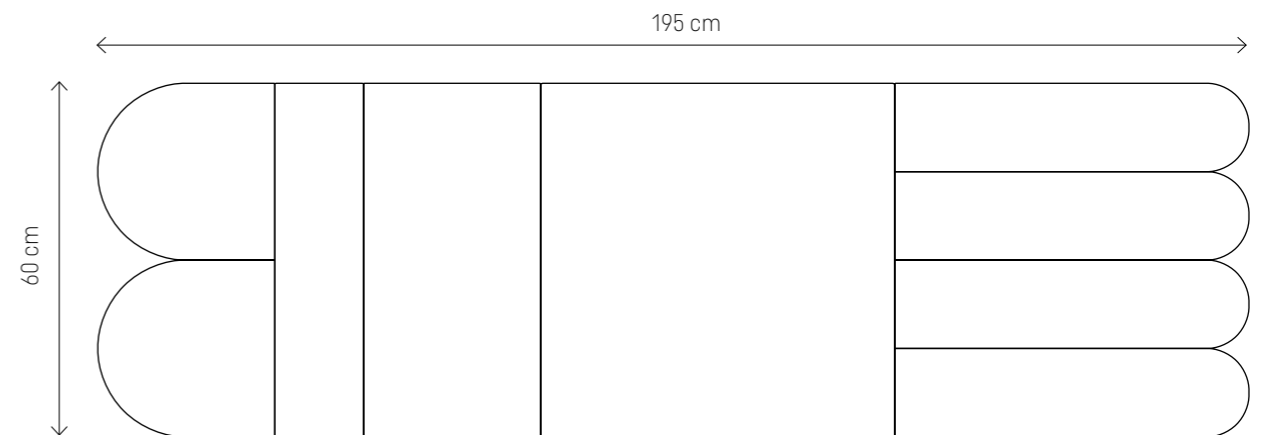


**LARGE MOMO SET OVAL  
NAVY BLUE AND GREY**



**ELEMENTS**

- OVAL 2 | Grey Velvet Matt 2 pcs.
- REGULAR 2 | Navy Blue Velvet Shiny 1 pc.
- REGULAR 1 | Beige Tweed 1 pc.
- REGULAR 3 | Graphite Tweed 1 pc.
- OVAL 1 | Navy Blue Velvet Shiny 4 pcs.









SMALL MOMO SET  
NAVY BLUE AND GREY



ELEMENTS

- OVAL 2 | Beige Tweed 1 pc.
- REGULAR 2 | Graphite Tweed 1 pc.
- OVAL 3 | Navy Blue Velvet Shiny 1 pc.





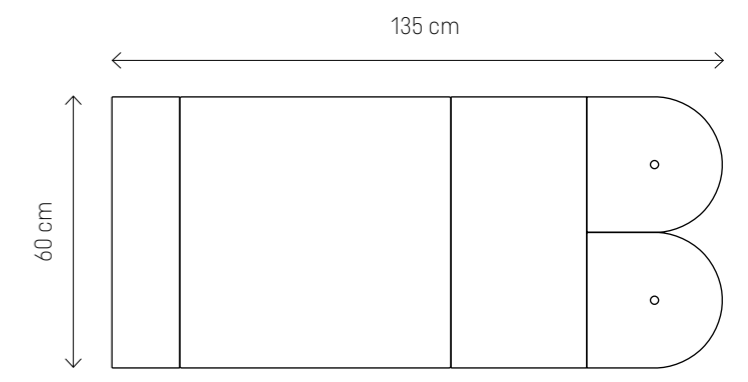


**MEDIUM-SIZE MOMO SET  
NAVY BLUE AND GREY**



**ELEMENTS**

- REGULAR 2 | Beige Tweed 1 pc.
- REGULAR 3 | Graphite Tweed 1 pc.
- REGULAR 1 | Grey Velvet Matt 1 pc.
- OVAL 3 | Navy Blue Velvet Shiny 2 pcs.



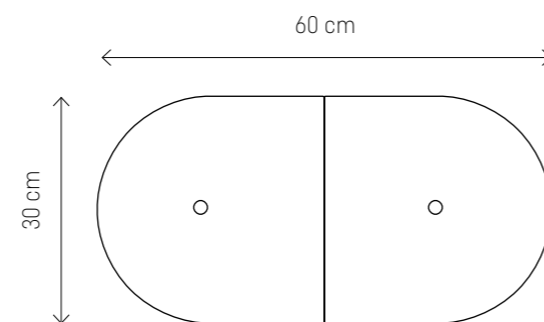


MINI MOMO SET  
NAVY BLUE AND GREY



ELEMENTS

- OVAL 3 | Beige Tweed 1 pc.
- OVAL 3 | Navy Blue Velvet Shiny 1 pc.





## GREY AND PINK

### LARGE OVAL SET



OVAL 2 | REGULAR 2 | REGULAR 1 | REGULAR 3 | OVAL 1

195x60 cm

### LARGE REGULAR SET



REGULAR 1 | REGULAR 2 | REGULAR 3 | REGULAR 1 | REGULAR 2 | REGULAR 1

180x60 cm

### MEDIUM-SIZE SET



REGULAR 2  
REGULAR 3  
REGULAR 1  
OVAL 2

60x135 cm

### SMALL SET



OVAL 2  
REGULAR 1  
OVAL 2

30x120 cm

### MINI SET



OVAL 3  
OVAL 3

30x60 cm

## GREEN AND GREY

### LARGE OVAL SET



OVAL 2 | REGULAR 2 | REGULAR 1 | REGULAR 3 | OVAL 1

195x60 cm

### LARGE REGULAR SET



REGULAR 1 | REGULAR 2 | REGULAR 3 | REGULAR 1 | REGULAR 2 | REGULAR 1

180x60 cm

### MEDIUM-SIZE SET



REGULAR 2  
REGULAR 3  
REGULAR 1  
OVAL 2

60x135 cm

### SMALL SET



OVAL 2  
REGULAR 1  
OVAL 2

30x120 cm

### MINI SET



OVAL 3  
OVAL 3

30x60 cm

## GREY AND MUSTARD

### LARGE OVAL SET



OVAL 2 | REGULAR 2 | REGULAR 1 | REGULAR 3 | OVAL 1

195x60 cm

### LARGE REGULAR SET



REGULAR 1 | REGULAR 2 | REGULAR 3 | REGULAR 1 | REGULAR 2 | REGULAR 1

180x60 cm

### MEDIUM-SIZE SET



REGULAR 2  
REGULAR 3  
REGULAR 1  
OVAL 2

60x135 cm

### SMALL SET



OVAL 2  
REGULAR 1  
OVAL 2

30x120 cm

### MINI SET



OVAL 3  
OVAL 3

30x60 cm

## NAVY BLUE AND GREY

### LARGE OVAL SET



OVAL 2 | REGULAR 2 | REGULAR 1 | REGULAR 3 | OVAL 1

195x60 cm

### LARGE REGULAR SET



REGULAR 1 | REGULAR 2 | REGULAR 3 | REGULAR 1 | REGULAR 2 | REGULAR 1

180x60 cm

### MEDIUM-SIZE SET



REGULAR 2  
REGULAR 3  
REGULAR 1  
OVAL 2

60x135 cm

### SMALL SET



OVAL 2  
REGULAR 1  
OVAL 2

30x120 cm

### MINI SET



OVAL 3  
OVAL 3

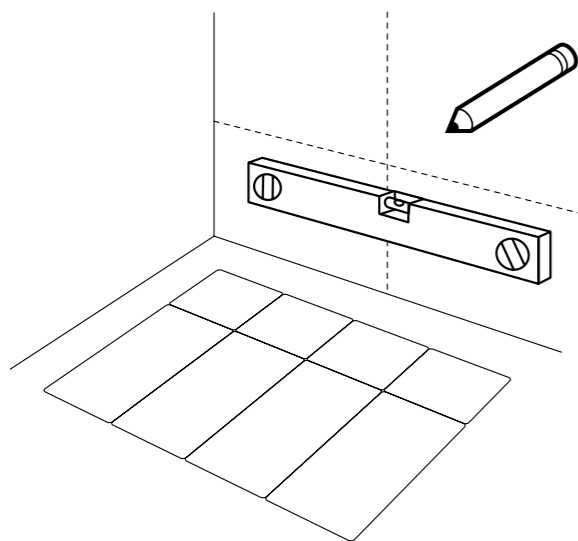
30x60 cm



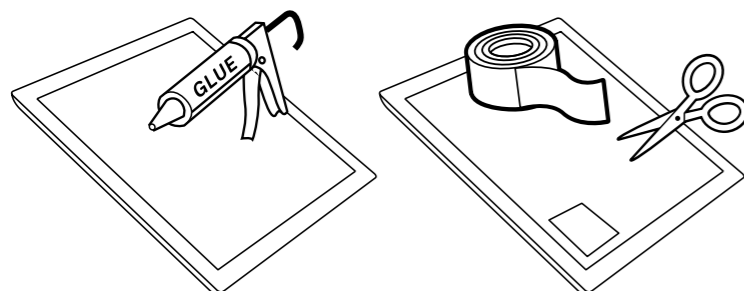
# SELF-ASSEMBLY READY IN FEW MINUTES

MOMO upholstered panels are installed quickly, non-invasively and clean. Pick the fragment of the wall, draw support lines, add some glue to the panel and press it against the wall. Velcro tape can be used instead of glue. Place the tape on the back of the panel, take off the protection film and place the panel against the previously drawn lines.

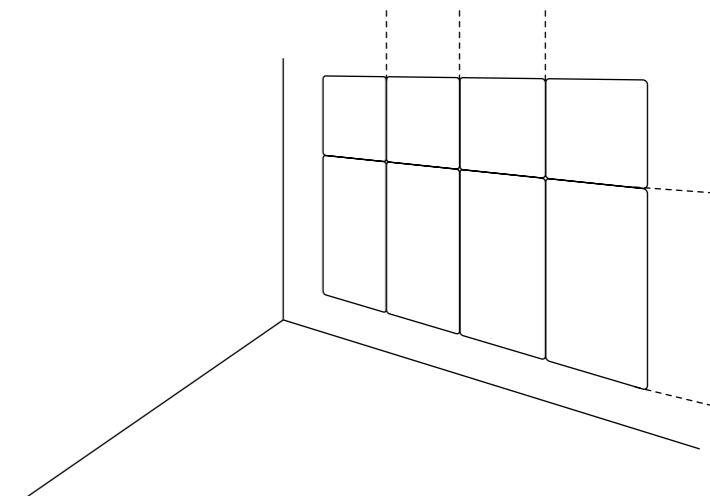
Clean the wall. Place the arrangement on the floor. Draw a horizontal and a vertical line.



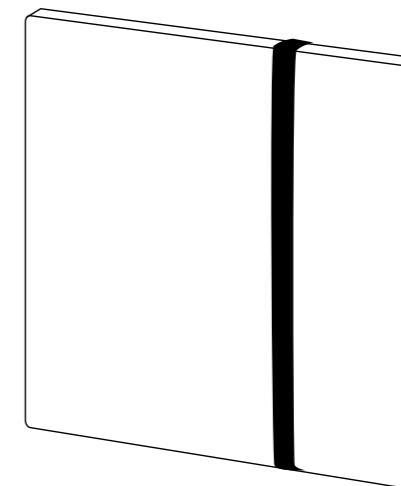
Add glue or place Velcro tape to the panel.



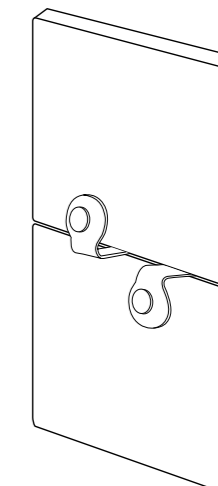
Glue according to the drawing, pressing the panels against the surface. You have limited time to correct the arrangement.



Place the elastic bands on the chosen panels before you glue the panels to the wall.



Mount the hooks between the panels before assembly.



Detailed manual can be found inside the package and on our website.





MOMO WALLS  
Wallset Poland  
Oginskiego 2,  
85-092 Bydgoszcz  
Poland

**[momowalls.com](https://momowalls.com)**