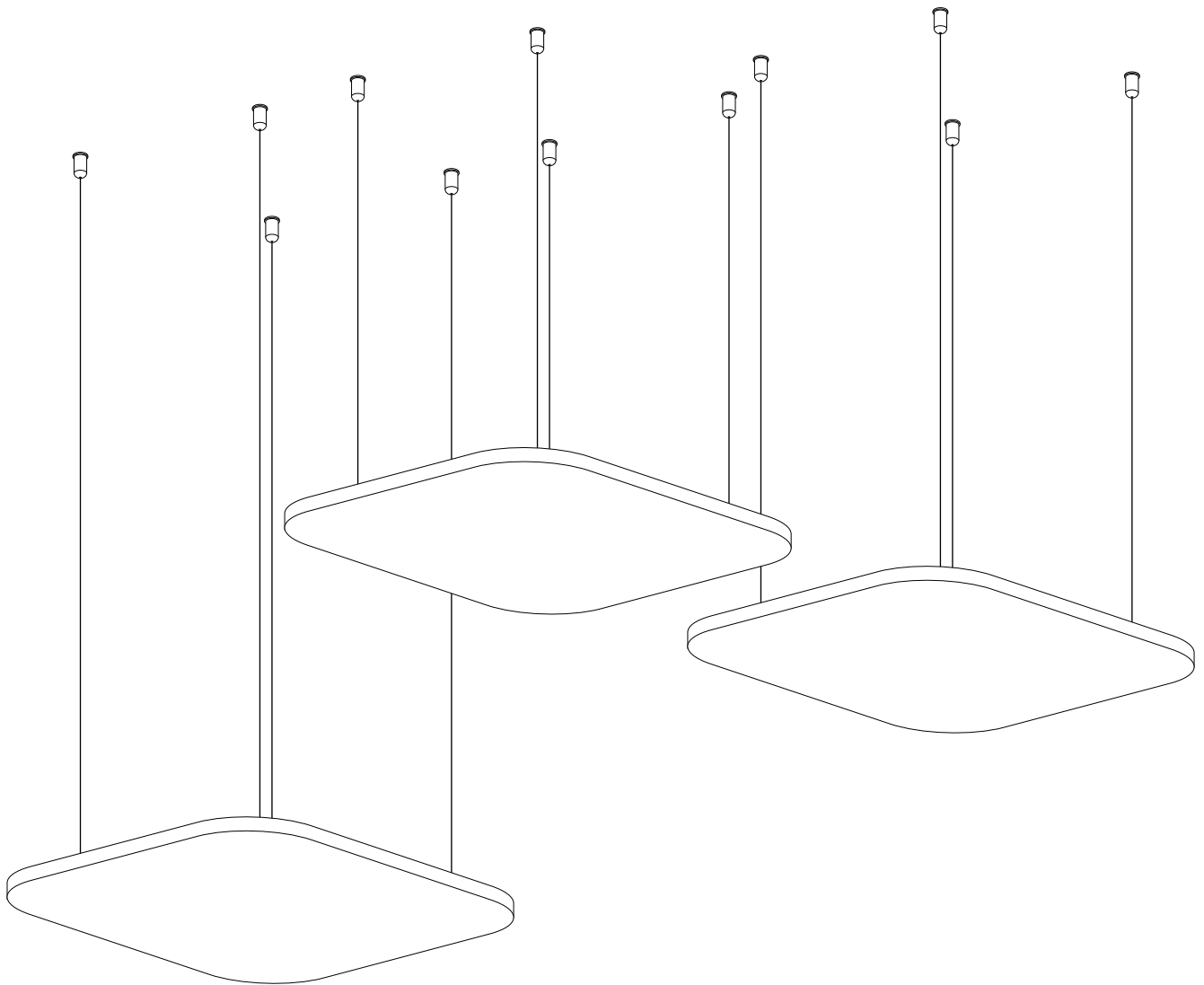


FLUFFO

Mounting instructions of the **FLUFFO AIR** overhead panels



**Thank you for choosing
FLUFFO AIR panels.**

At least two people are required for the installation.

Follow these instructions.
Should you need our help
at any stage of assembly please email:

www.fluffo.co.uk

sales@fluffo.co.uk

DIRECTIONS FOR USE:



The panels should not be exposed to direct, intense sun light. After some time in such conditions colours might fade and discolorations may appear.



Do not apply pressure with your fingers, you might leave permanent dents on the panel surface.



The panels should be mounted away from open flame, sparks and other heat sources, for example air conditioners or ventilators.



The panels are vulnerable to mechanical damage. Be careful not to damage the panels with sharp objects during installation.



Avoid staining the panels.

CLEANING AND CARE INSTRUCTIONS:



The Fluffo finish covering our panels is antistatic and does not attract dust. However, dust can still settle on the panels, just like on any furniture. In order to remove dust, use a soft brush or a vacuum cleaner with a standard brush for upholstered furniture.



Lightweight stains can be removed with a soft sponge slightly moistened with diluted detergent. When cleaning please wipe the whole panel surface, so that you don't leave rubbing traces in one spot. Do not soak the panel, it may cause its deformation. Wipe the steel slings with a damp cloth.



Be sure not to over rub the panel surface with a wet sponge and avoid strong detergents, such as bleach or washing powder.

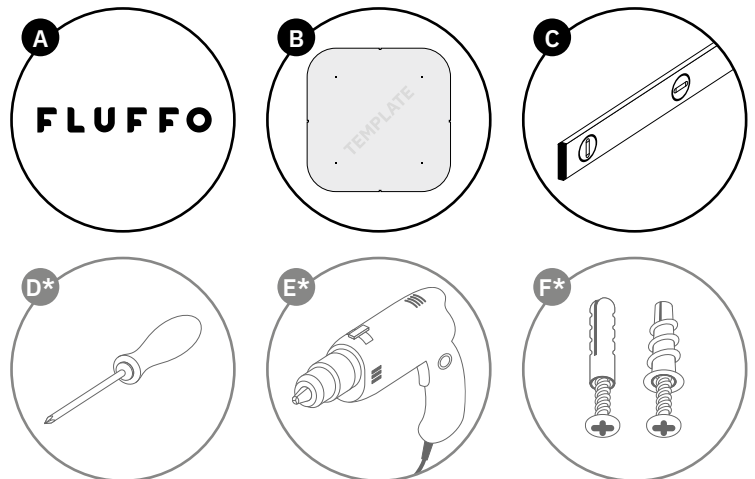
The above information is based on our best knowledge, and serves only as a guideline. We are always happy to provide information and technical advice regarding our products. We reserve the right to make changes in our offer at any time. It is up to the customer to make sure that our panels' technical characteristics fit the purpose set by the customer. We will not take responsibility for the use of our products against our recommendations.

1 Preparation

Prepare:

- A** FLUFFO AIR panels and accessories
- B** FLUFFO AIR ceiling template (included in the box)
- C** level
- D*** Phillips screwdriver
- E*** drill
- F*** wall plugs and M6 screws

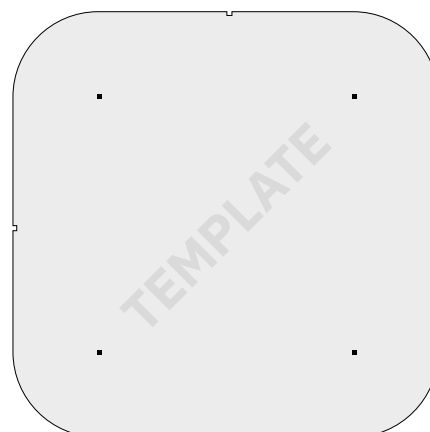
* only for installation on plasterboard or concrete ceiling



ATTENTION:

1. Depending on the type of ceiling and the model of FLUFFO AIR panels, the installation may be slightly different. Installation of the hanging devices to a plasterboard or concrete ceiling, will require wall plugs and screws (not included in the FLUFFO AIR accessories).

2. The FLUFFO AIR ceiling template facilitates the positioning of the four sling holes.



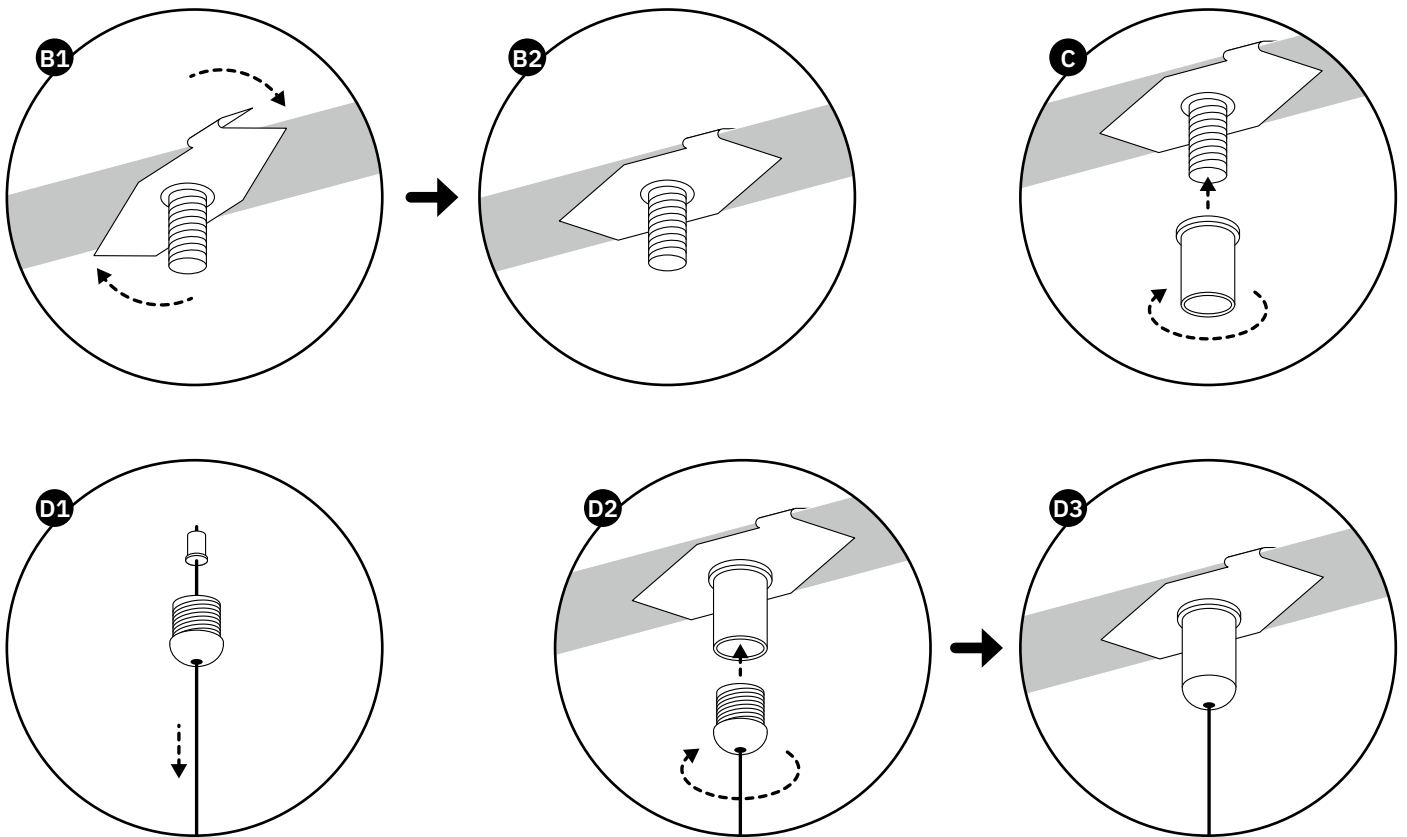
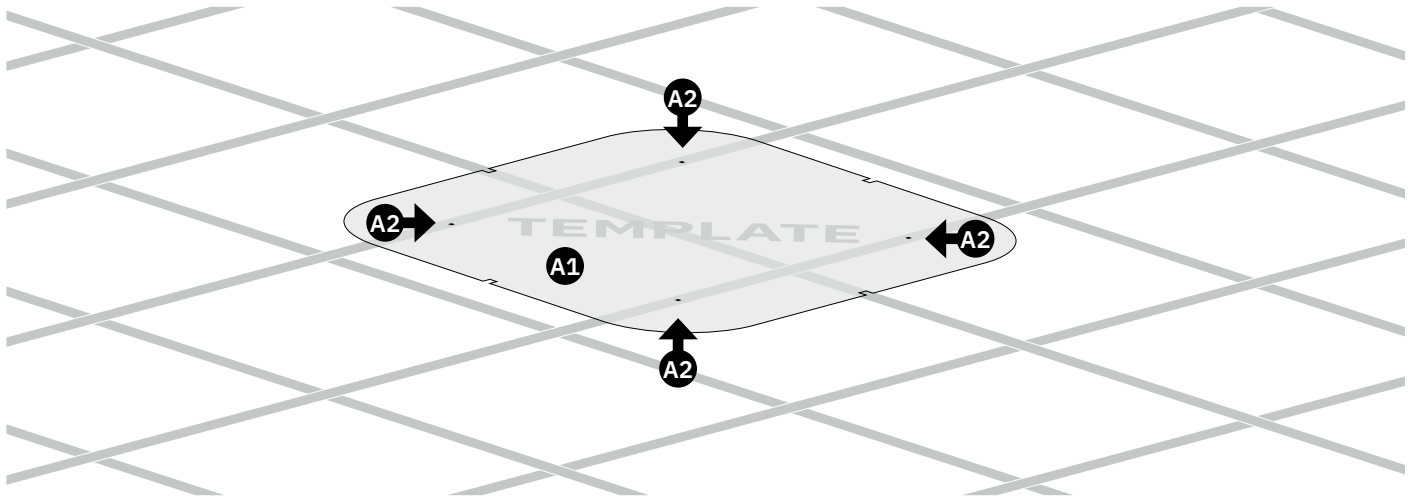
----- The ceiling template has the shape and size of a Fluffo AIR panel.

----- The holes in the template serve to mark the drilling points on the ceiling.

2A Installation of the steel slings on a raster / system ceiling

ATTENTION! Before installation, make sure the ceiling is stable and its load-bearing capacity allows for the AIR panels to be hung.

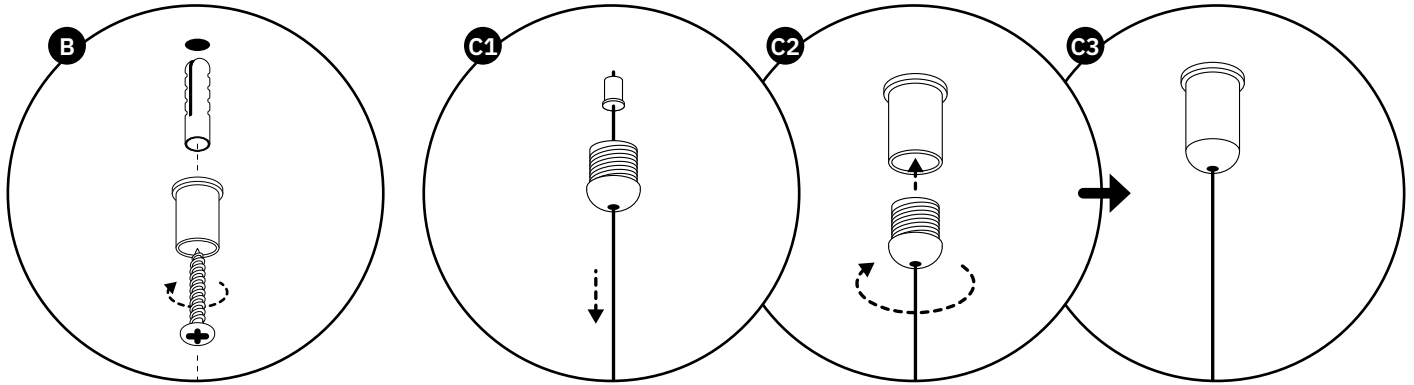
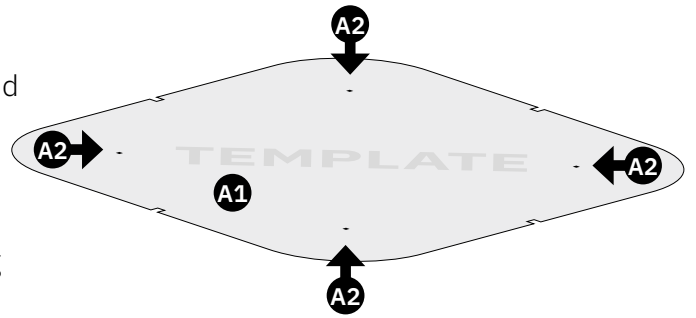
- A** Place the Fluffo AIR template on the ceiling profiles (**A1**) and mark the locations of the ceiling mount brackets fixing points (**A2**).
- B** Mount the brackets - place the bracket against the ceiling profile (**B1**) and turn it so that it locks (**B2**).
- C** Fix the top part of the sling cylinder to the bracket (**C**).
- D** Thread the wire (**D1**) through the bottom part of the cylinder. Then fix it to the top part on the ceiling (**D2** and **D3**).



2B Installation of the steel slings on the plasterboard or concrete ceiling

ATTENTION! Before you begin installation please verify that there is no collision with electric wires within.

- A** Place the Fluffo AIR template on the ceiling (**A1**) and mark the locations of the sling fixing points (**A2**).
- B** Drill holes, install wall plugs and fix the top parts of the sling cylinders to the ceiling.
- C** Thread the wire (**C1**) through the bottom part of the cylinder. Then fix it to the top part on the ceiling (**C2** and **C3**)



3 Installation of AIR panels

- A** Carefully drive the springs (**A1** and **A2**) into the orange dots marked on the top surface of the panel (**A**). Be careful not to go too deep, leave the last spring coil on the surface of the panel.
- B** Slide the snap hooks onto the ends of the hanging wires.
Note: To insert the snap hook and slide it along the wire, squeeze the locking brake (B1) with your fingers.
- C** Hang the panel on the snap hooks (**C1**), adjust its position with the locking brakes and a level (**C2**). Roll up and tie the excess wires, then place them in the centre of the hanging panel (**C3**).

