



PRODUCT

CATALOGUE 2024



[SAFECASTLE.COM](https://www.safecastle.com)



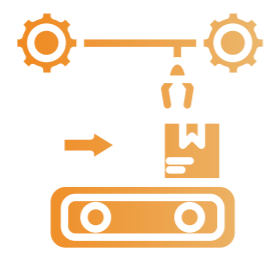


WHAT WE DO

21+ Years of Experience in Emergency Preparedness industry, Expanding our network everyday. Shop with us for the Best and World Class experience.



Brand Protection



Fulfillment Automation



Customer Services



A school preparedness kit is a collection of essential supplies, including first aid items, emergency food, and communication tools, designed to ensure the safety and well-being of students and staff during unexpected events or crises. It aims to equip educational institutions with resources to effectively respond to emergencies and protect the school community.

SCHOOL ESSENTIAL & EMERGENCY PACKAGE

Water



Bung Wrench
w (1 for every 4 water
barrels)
Check link for more



Siphon pump
(1 for every 4 water barrels)
Check link for more



55 Gallon water preserve
concentrate (1 per barrel)
Check link for more



55 Gallon water barrels
Check link for more

Sanitation



Toilet Seat w/Bucket
(1 recommended per
classroom)
Check link for more



Hand sanitizer - Antiseptic
hand cleaner, waterless, 4 oz.
Check link for more



Privacy Shelter - Pop-Up
(71" x 44" x 44")
(2 recommended per
classroom)
Check link for more



Chemical deodorant - 12
pack chemical digester
(1 recommended per bucket)
Check link for more



First Aid



Extra cold compresses
5" x 7" instant cold
compresses (5 pack)
[Check link for more](#)



50 person trauma first
aid kit
[Check link for more](#)



Backboard - Full length
[Check link for more](#)



Small cooler (for insulin)
[Check link for more](#)



Nitrile gloves -
medical grade (1 box)
[Check link for more](#)



Stretcher - Compact,
folding stretcher
[Check link for more](#)

Shelter & Lighting



Pop Up Canopy -
10' x 10'
[Check link for more](#)



Mylar blankets - Emergency
54" x 84"
[Check link for more](#)



Mylar sleeping bags
[Check link for more](#)



Blankets - 72" x 90"
[Check link for more](#)



Lantern (solar powered)
[Check link for more](#)



Blue Poly Tarp - 10' x 20'
[Check link for more](#)



Search & Rescue



Goggles - Clear protective goggles with adjustable strap

[Check link for more](#)



Wood hammer, 13" length, head wt 16

[Check link for more](#)



Hard Hat - 4 point suspension helmet, yellow

[Check link for more](#)



Pipe Wrench - 14"

[Check link for more](#)



Pliers, 8" Adjustable

[Check link for more](#)



Construction crayon - Yellow (use to mark doors of empty or searched areas)

[Check link for more](#)



Lantern solar crank

[Check link for more](#)



Fire Axe - wood handle

[Check link for more](#)



6" Standard Screwdriver

[Check link for more](#)



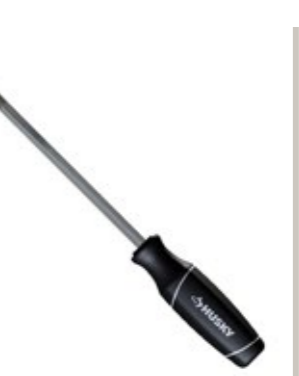
4 in 1 utility tool (water and gas shut off wrench)

[Check link for more](#)



Search and Rescue gear bag - 24" x 12" x 12"

[Check link for more](#)



6" Phillips Screwdriver

[Check link for more](#)

Command Center



Whistles on lanyards - metal
[Check link for more](#)



White dry erase board - 3' x 4'
[Check link for more](#)



Rope - Poly Rope - 3/8" x 50'
[Check link for more](#)



Sharpie Markers - Chisel Tip, permanent markers, 12 pack
[Check link for more](#)



Duct Tape (roll) - 2" x 60 yards - Gray, Utility
[Check link for more](#)



Pencils - Mechanical, 0.7mm, 12 pack
[Check link for more](#)



Vinyl safety vests - orange
[Check link for more](#)



Cord - Nylon Cord - 3/16" x 50'
[Check link for more](#)



Caution Tape (roll) - Yellow, 300'
[Check link for more](#)



Orange Traffic Cone - 18"
[Check link for more](#)



Scissors (pair) - 8" Pointed scissors

[Check link for more](#)



Lanyard - Blue

[Check link for more](#)



Utility Hand Truck

[Check link for more](#)



Radio Solar Crank

[Check link for more](#)



Clipboards, 2 Pack

[Check link for more](#)



6' folding table

[Check link for more](#)



Treatment Area ID
Flags (BLUE)

[Check link for more](#)



Heavy Duty Cargo
Container Door Lock

[Check link for more](#)



Sandwich size plastic
bags, sealable - 1 box

[Check link for more](#)



Bungee Cord Assortment -
15 Pack

[Check link for more](#)



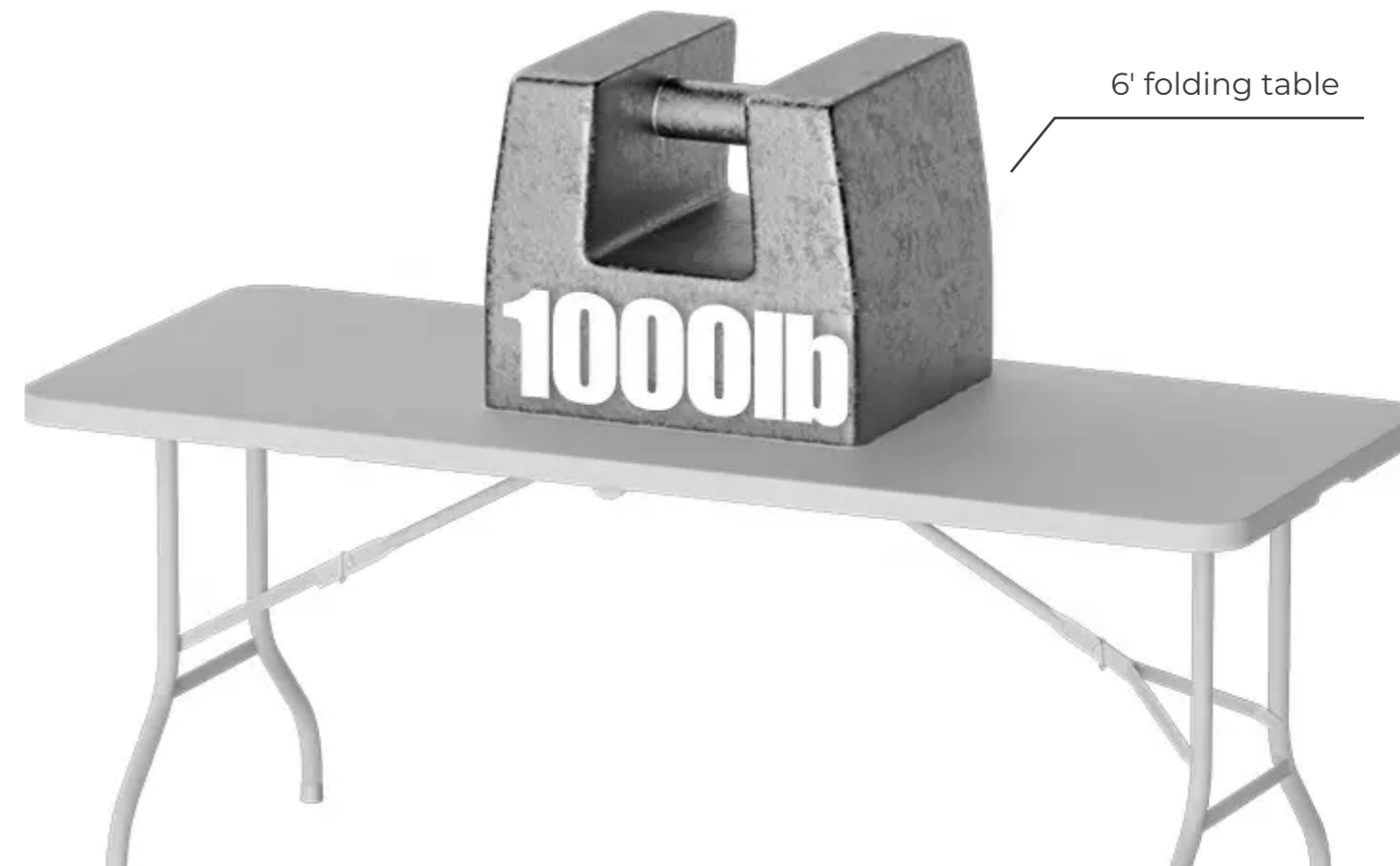
Quart size plastic bags,
sealable - 1 box

[Check link for more](#)

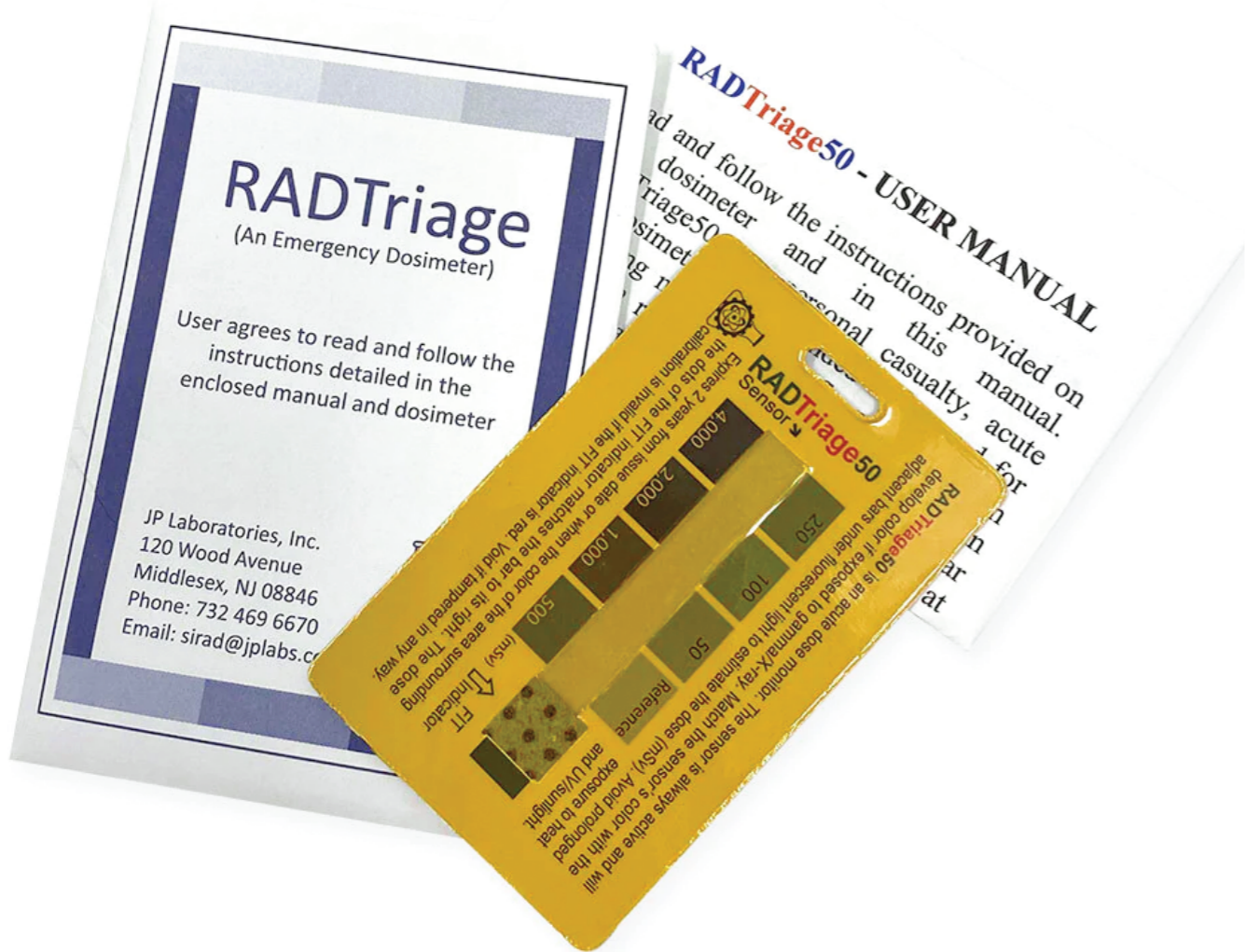


Little Giant Wagon Truck
(1200 lb. load capacity, 24"
width x 38" length)

[Check link for more](#)



EMERGENCY KITS AND GEAR Products



RADTriage 50 Personal Radiation Detector for Wallet or Pocket
[Check link for more](#)



Mayday Emergency Water Pouches- Case of 100
[Check link for more](#)



S.O.S. Rations Emergency Food Bar Package
[Check link for more](#)



NukAlert Radiation Detector
[Check link for more](#)



Safecastle Multipurpose Toolkit
[Check link for more](#)



These kits serve to provide immediate support and enhance resilience during emergencies.



Safecastle Fire Blanket Emergency Survival Kit
[Check link for more](#)



ThyroKI Potassium Iodide Tablets
[Check link for more](#)



Be ready for anything: Being prepared for any eventuality is key to surviving in an emergency situation - build your reserves today!



STORAGE

Products



Mountain Essentials Canned Ground Beef
[Check link for more](#)



Mountain Essentials Freeze Dried Chicken Dices
[Check link for more](#)



Keystone Meats All Natural Canned Turkey
[Check link for more](#)



Readywise Grab and Go Bucket
[Check link for more](#)



Mountain House Classic Bucket
[Check link for more](#)



S.O.S. Rations Emergency Food Bar Package
[Check link for more](#)

Our Long term storage food retains nutrients, flavor, and texture exceptionally well while offering long shelf life and lightweight portability.



It is a crucial component of disaster preparedness and self-sufficiency planning.

Products

Water storage involves securely holding and preserving water for future use, ensuring a stable and accessible supply during times of scarcity or emergencies.

WATER STORAGE



Berkey Filter Priming Starter Kit

[Check link for more](#)



Royal Berkey Gravity Water Filter System

[Check link for more](#)



Water Filter Straw by Breeze

[Check link for more](#)



Katadyn Hiker Pro Transparent Water Filter

[Check link for more](#)



HM Digital DM-2 Commercial In-Line Dual TDS Meter

[Check link for more](#)



Katadyn Befree Water Filter with Hydrapak

[Check link for more](#)



Berkey® WATER SYSTEMS

≈ KATADYN™



Premier Water Testing Instruments





EZ BREEZE ELITE

750w Electric bike, Motor 5 Speed Settings, 48V 14AH Battery



Sea Eagle Inflatable 380X Explorer Kayak Pro Carbon Package

[Check link for more](#)



Sea Eagle Inflatable 380X Explorer Kayak Pro Carbon Package

[Check link for more](#)



Superwinch Tiger Shark 9500SR 12V Synthetic Rope Winch - 1595201

[Check link for more](#)



Superwinch SX12 12V Wire Rope Winch 12000 lb Capacity - 1712200

[Check link for more](#)



MiniQ40 MK2 Dive Light by Underwater Kinetics

[Check link for more](#)



Underwater Kinetics C8 eLED (L2) Dive Light

[Check link for more](#)

ADVENTURE AND OUTDOOR

Products



EZ Breeze Elite

[Check link for more](#)



MotoTec 48v 1000w Electric Powered Mini Bike

[Check link for more](#)

Embark on thrilling adventures amidst the great outdoors, where every moment is a journey waiting to unfold.





Discover our range of nourishing products designed to support your journey to a healthier lifestyle, promoting vitality and well-being with every choice.

HEALTHY LIFESTYLE &...



Mountain Essentials Natural Wellness Recipe Apple Cider Vinegar
[Check link for more](#)



Ayur Aranya 100% Pure & Natural Black Turmeric Powder
[Check link for more](#)



Mountain Essentials Grain Mill
[Check link for more](#)



Kid Carpet Rugs
[Check link for more](#)



Cluster Box Unit by Salsbury Industries
[Check link for more](#)



Salsbury Industries Vertical Mailbox 4 Doors
[Check link for more](#)

HOME ESSENTIALS



Our range of products cater to the core needs of households, ensuring comfort, functionality, and convenience in daily routines.





CONTACT US



GET IN TOUCH

Join Safecastle for a seamless and stress-free product supply experience.

Website

<https://www.safecastle.com/>

Email

support@safecastle.com

Phone Number

+1-877-673-2394

