

# Rooster<sup>™</sup> Airflow Alarm

## Applications

- Critical Containment
- Biosafety Cabinets
- Fume Hoods
- Glovebox Isolators
- Flow Benches
- Autoclaves
- Ventilation Workstations
- Compounding Aseptic Isolators
- Restricted Access Barriers
- Vivarium Interiors
- Animal Workstations
- Pharmaceutical Manufacturing
- Clean Rooms
- Airlocks
- Containerized Laboratories

## Degree Controls, Inc.

is an ISO-9001 certified, world-class designer and manufacturer of airflow sensing, monitoring, and control solutions. With over 20 years of proven experience, we pride ourselves on delivering solutions which provide the value, differentiation, and service required by our customers, to meet the rapidly changing competitive landscape that they face.

Degree Controls, Inc.  
18 Meadowbrook Dr.  
Milford, NH 03055

603.672.8900 or 1.877.334.7332  
sales@degreeC.com  
www.degreeC.com

## Overview

Designed to provide the safety and compliance you need for BSC's and Fume Hoods that do not meet current NSF & OSHA regulations — or to add that layer of security needed for your laboratory technicians. The Rooster<sup>™</sup> Alarm provides full time tracking of air velocities within your cabinet or exhaust system to ensure air movement never falls below the user-defined thresholds. In the alert mode, a highly visible red LED light will flash and the volume-adjustable audio alert will announce. The Rooster<sup>™</sup> is easily reset with the illuminated button. This reset can be defined by EH&S Facility management to be either latching or repeatable based on your laboratory's policy. The Rooster<sup>™</sup> represents next generation airflow alarm technology, combining a rich set of customizable features with unprecedented ease of installation and configuration.

Simple 10 minute installation with flexible mounting options and airflow turbulence indicator assures perfect placement of the remote sensor.

Whether you need an exhaust duct-mounted probe sensor for your Class II biosafety cabinet, a fume hood sidewall sash-flow sensor, or an in-line retro-fit replacement sensor for noncompliant monitors, each option easily plugs into the Rooster<sup>™</sup> Alarm Module via the RJ-11 plug. The Rooster<sup>™</sup> Alarm also has a Night Setback input connection for this low-flow/non-alarming energy saving mode.

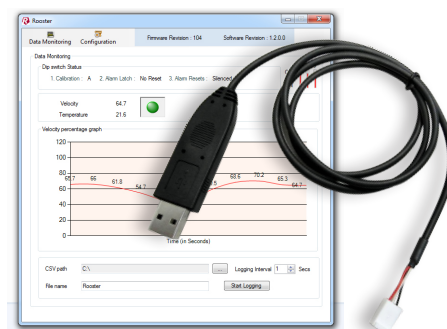
## Options

Most of the user features can be set with the DIP switches found on the back of the Rooster module. Refer to the Quick Start Guide for more information. In-field feature programming and the ability to use the Rooster as a real-time airflow meter can be achieved by using a Windows<sup>®</sup> PC computer with a USB connection to the Rooster Module. The optional cable and Rooster software is available through DegreeC Customer Support.



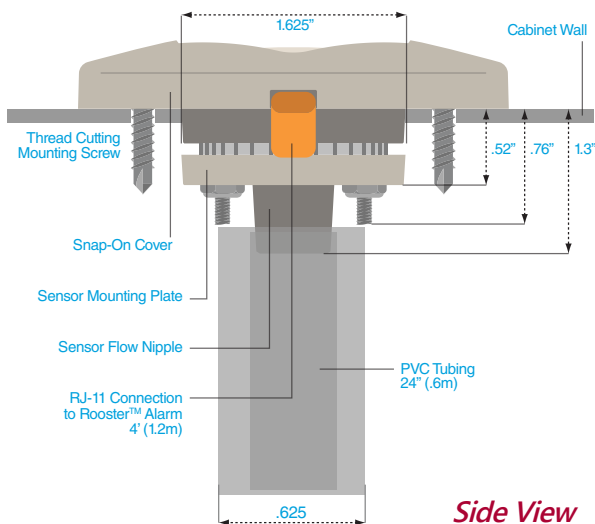
## Features

- Single push button for airflow calibration
- User configurable Alarm Threshold (preset NSF/ANSI-49 required -20%)
- Audible and visual alarm functions
- Customizable audible alarm tones
- Customizable warning lights
- Latching or resettable alarm
- Accurate!  $\pm 2\%$  Repeatability of measured value
- Auxiliary Night Setback input
- Embedded or temporary installation
- Private labelling options available for certifiers



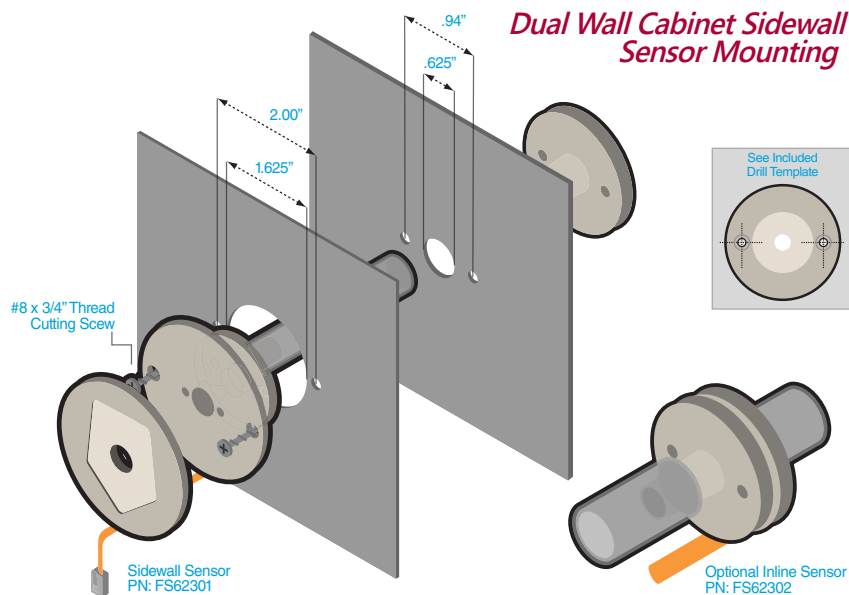
Optional Programming Cable & Rooster<sup>™</sup> Software

## Single Wall Cabinet Sidewall Sensor Mounting



Side View

## Dual Wall Cabinet Sidewall Sensor Mounting



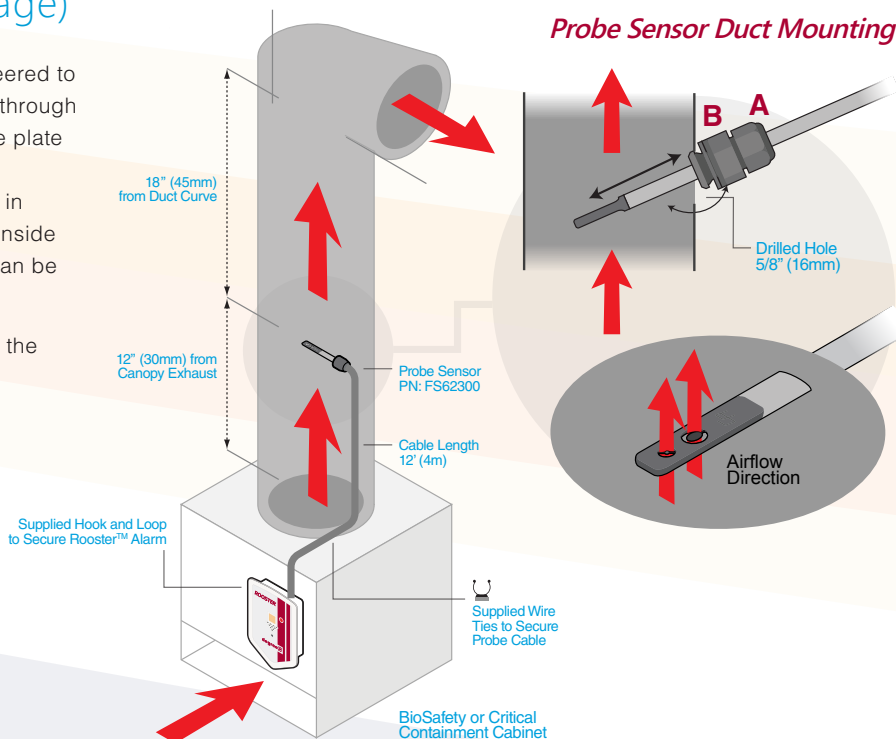
## Sidewall/In-Line Sensors (Top of Page)

**Sidewall:** Use for Fume Hoods and Pressurized Rooms. Engineered to make installation and cleaning as simple as possible, the flow-through sensor head features a small form factor, and a removable face plate for easy maintenance.

**In-Line:** Use for installation in place of other sensor systems or in places where flow tubes have been used in the past. Fits 0.5" inside dimension (ID) tubes, and comes with 24" of PVC tubing that can be easily cut to size.

Each Rooster™ sensor comes with a Quick Start Guide and all the hardware you need for this simple installation, including:

- Sensor bracket with face plate (Sidewall)
- Replaceable protective screen (Sidewall)
- Universal mounting hole pattern Gaskets and Self-tapping screws (Sidewall)
- 24" (600mm) PVC hose to reach interior pressure area (Sidewall)
- In-line sensor module (In-Line)
- 24" (600mm) 1/2" ID Tubing (In-Line)
- 4' (1.2M) cable and RJ-11 connection plug (Sidewall or In-Line)



## Specifications

Operating Temperature	60°F to 140°F (15°C to 60°C)
Storage Temperature	-40°F to 185°F (-40°C to 85°C)
Relative Humidity (non-condensing)	5-95%
Air Velocity Range	0.20-10.0m/s (40-2,000fpm)
Response Time	<1 Second
Supply Voltage	12-24 VDC
Input Current	0.5A Max

Power Adapter Included

## Duct Mounted Probe Sensor

Used in exhaust flow for Class II A or B duct systems.

Each Rooster™ sensor comes with a Quick Start Guide and all the hardware you need for this simple installation, including:

- Sensor Probe, adjustable length for 6"-12" (15.2mm - 30mm) ducts
- Mounting bracket, gaskets, and hole template
- Self-tapping screws and wire ties
- 12' (3.5M) cable with RJ-11 connection plug



© 62300DS000-A01