

RELAXATION LOUNGERS



S-LOUNGE

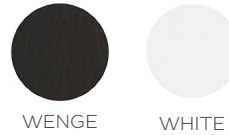
#31061-XX



Locks into zero gravity position shown, or more upright lounging position.

The S-Lounge takes body, mind & spiritual rejuvenation to a whole new dimension of experience. This adjustable, zero gravity relaxation lounge cradles your body in the luxurious comfort of 3" memory foam. Ergonomic design offers surprising comfort, shaped to help release stress by reducing blood pressure. Elegant lines compliment almost every decor in the spa or at home. Adjusts to upright or zero gravity position.

STANDARD BASE COLOR:



STANDARD VINYL COLORS:



(Please inquire for custom upholstery and finish options.)



Chromotherapy option: Colored light adjusts the body's vibrations to healing frequencies.



Motorized adjustment operated via hand control.



Comes standard with an ultra-comfortable memory foam neck roll.

TOP:

Top design

Ergonomic design offers surprising comfort while lounging on extra plush 3" gel memory foam. Ergonomically shaped to help release stress by reducing blood pressure.

Materials

SoftTouch upholstered cushion on nylon hammock

Top size

32.5" x 69"

BASE & FRAME:

Materials

Solid rubberwood

Finish

Wenge finish

Capacity

Static weight capacity 450 lbs. Suitable for persons up to 6'4" in height

Tilt

Motorized adjustment holds Lounge in any position

ELECTRICAL:

110VAC 5 Amp

GUARANTEES:

Structure

2 yrs. on frame/structure

Mesh fabric

2 yrs. on materials

SoSound

1 yr.

WEIGHTS:

Lounge weight

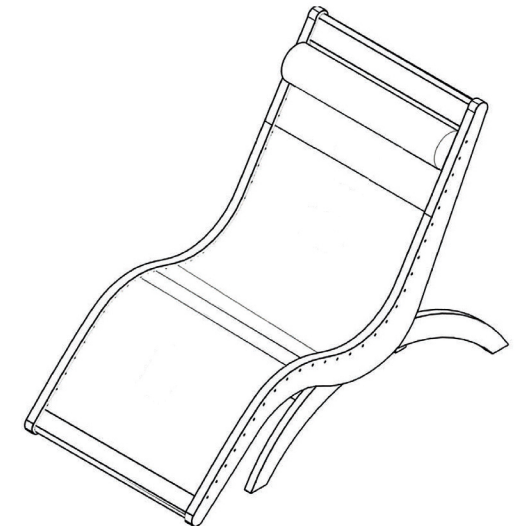
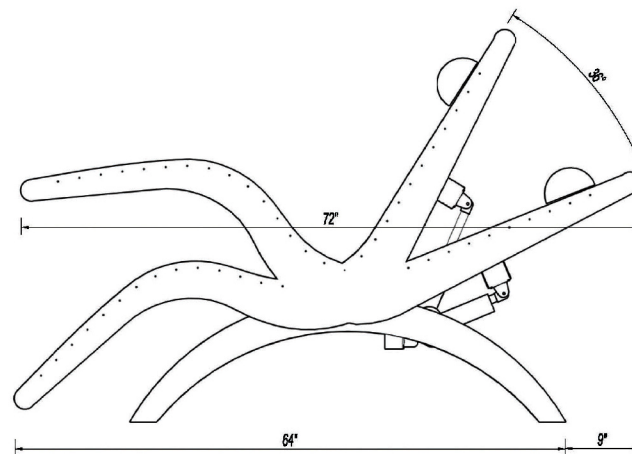
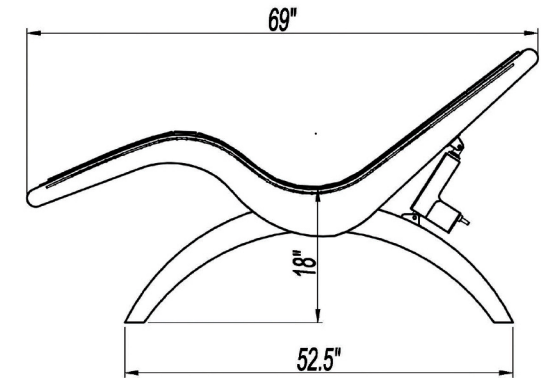
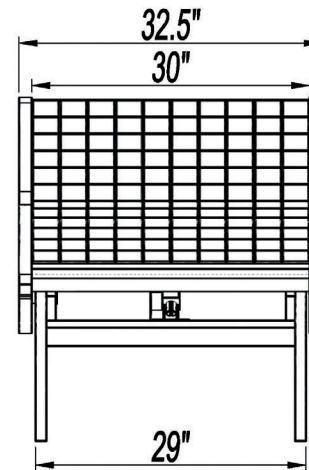
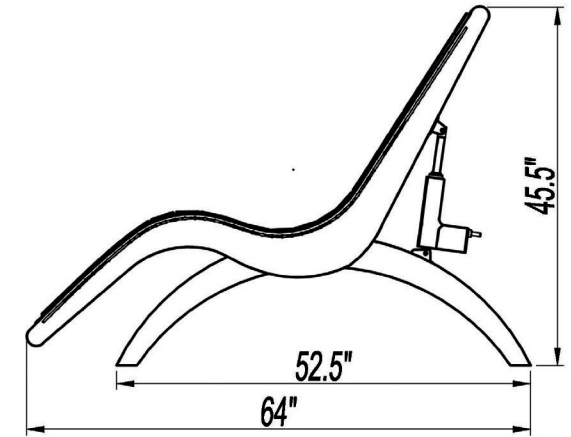
150 lbs.

Shipping weight - boxed

185 lbs.

Shipping dimensions

83" x 39" x 37"



MOTORS & CONTROLS