

# MOTORIZED TABLES



# MARIMBA #11365-XX

**The Marimba** chair/table has a generous three-piece top, contoured for added comfort. New tilt feature allows forward/backward tilting to enhance medi-spa or facial treatments. Suitable for light pressure massage modalities, the multi-functional Marimba is a stylish table with the characteristics and versatility of a treatment chair.



STANDARD  
BASE COLOR:



WHITE POWDER COATED STEEL  
(Custom finishes available)

STANDARD VINYL COLORS:



WHITE ALMOND CAMEL BLACK PEBBLE

(Custom colors available)



Four motors adjust the knee, back, height, and tilt providing a wide range of possible positions.



OPTION: Manicure armrests adjust to stay flat when tilting the backrest.



Lays flat for bodywork and accepts a face cradle.

**TOP:**

Top design  
Standard size top  
Foam  
Frame  
Adjustments  
Incline tilt angle  
Upper body tilt angle  
Lower leg tilt angle

Three-section, upholstered top with tapered upper-body section  
29" x 70"  
5" triple-wrap  
Tubular steel structure, white powder-coat finish  
Four motorized adjustments for height, tilt, upper body, and leg  
Top rotates toward head end to 30° below horizontal  
Back section adjusts to 80°  
Lower leg section folds to 100°

**BASE & FRAME:**

Carbon steel base  
Height range  
Lifting weight  
Capacity

Sleek, low profile, contemporary design  
White powder-coat finish with an anodized aluminum center pedestal  
22.5" to 30.5"  
Lifting weight capacity 375 lbs.  
Static weight capacity 800 lbs.

**MOTORS & CONTROLS:**

Base lift motor  
  
Tilt motor  
  
Top motors  
  
Controls

One 24v DC, 5 amp max motor/actuator in the pedestal extrusion (powered through the same transformer as the top actuators)  
One 24v DC, 5 amp max motor/actuator in the pedestal extrusion (powered through the same transformer as the top actuators)  
Two 24v DC, 5 amp max motor/actuators, UL recognized; powered through a 110v, 5 amp transformer  
Hand control

**VINYL:**

Sturdy PVC fabric

**OPTIONAL ACCESSORIES:**

Sidearms  
Face support  
Footrest extension  
Neck bolster

Flex Armrests or Swing Away Arms w/ Manicure Trays  
Contour FaceSpace  
Salon Footrest (Note: limits lowering of leg section)  
Facial Neck Bolster

**GUARANTEES:**

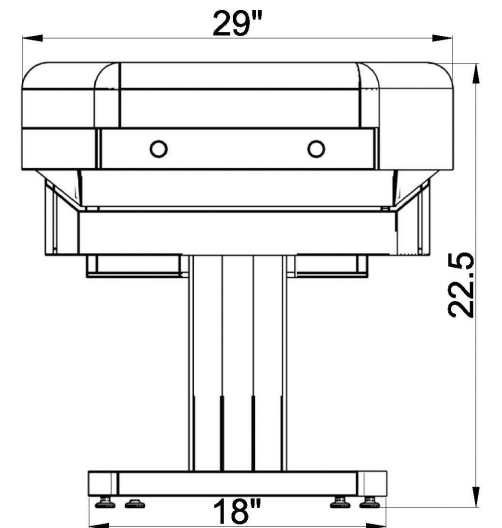
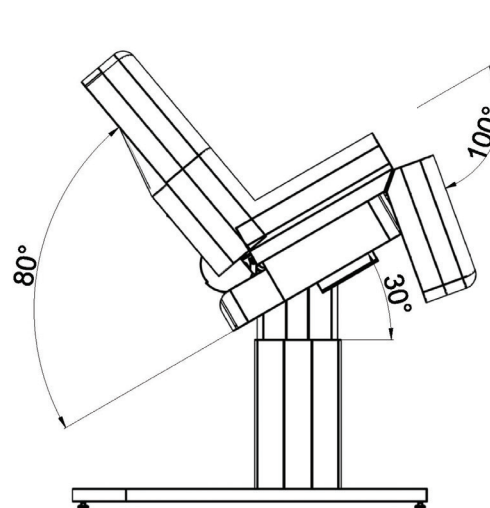
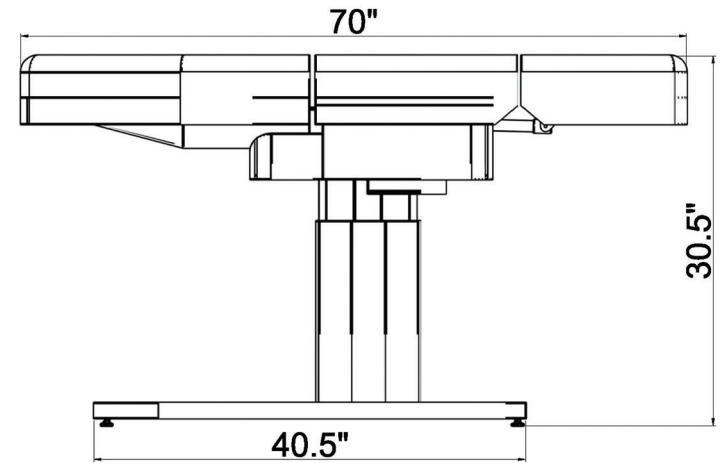
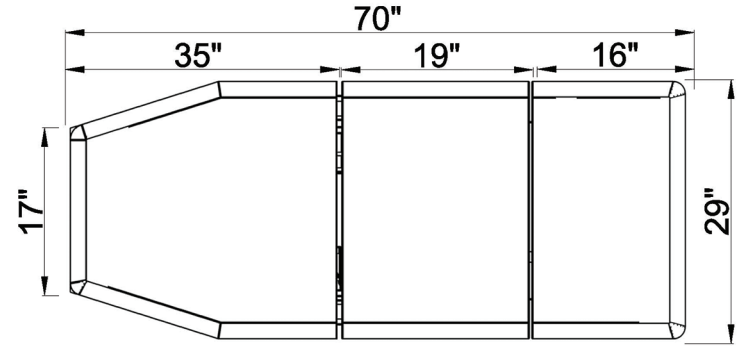
Structure  
  
Motor & controls  
Vinyl & foam

10 yrs. on replacement parts for frame/structure and 1 yr. on labor\*\*  
2 yrs. on electrical/mechanical parts  
2 yrs. on materials  
\*\*Labor warranty for customers in USA only

**WEIGHTS:**

Table weight  
Shipping weight - boxed

185 lbs.  
265 lbs.



MOTORS & CONTROLS