

EMBRACE #11381-XX

TouchAmerica's **Embrace Treatment Table** lives up to its name. Its many features and adjustments bring comfort reminiscent of a mother's hug. Drop down, swing-away armrests offer comfort and total shoulder access. Easy tilt face cradle section with filler plug when flat section is needed. Large 33.5"x81" super-comfortable top accommodates everyone. Dual-pedestal lift motors allow top to tilt in either direction. Push-button control of back and thigh/leg sections. 27"x35" height range. Open base architecture allows freedom of movement around table.



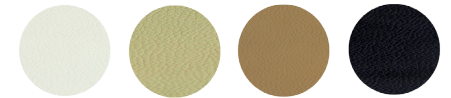
STANDARD BASE COLOR:



WHITE POWDER COATED STEEL

(Custom finishes available)

STANDARD VINYL COLORS:



WHITE ALMOND CAMEL BLACK

(Custom colors available)

ADD-ONS: Casters 41035
Bluetooth remote 998-952
Hot Towel Cabi 11381-cab



Optional hot towel cabi saves space; fits neatly into the stylish cabinet base.



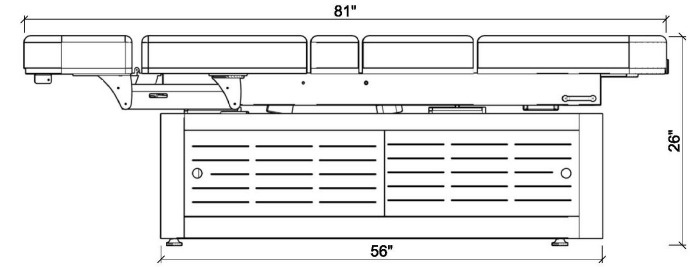
Push-button control operates back and thigh/leg sections; dual pedestal operates independently.



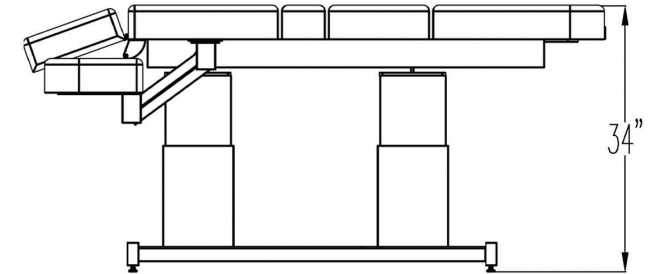
Drop down, swing away armrests provide comfort and total shoulder access

TOP:

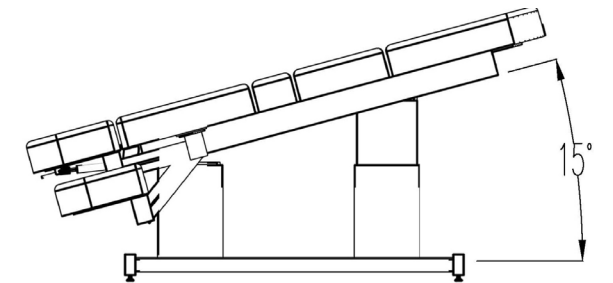
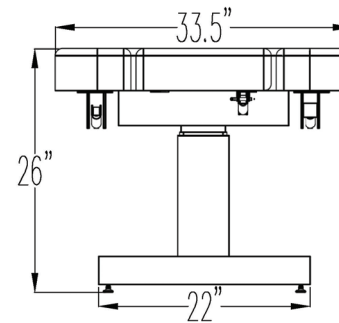
Top design	Four-piece adjustable top with round corners, 3-layer foam, 3/4" plywood
Top adjustments	Easy motorized adjustments of torso, knee and upper body sections, plus the entire top can tilt to either end by using independent pedestal heights
Back tilt angle	0 to 60°
Knee tilt angle	0 to 30°
Max tilt angle (entire top)	0 to 15° (cabinet model does not tilt)
Face Support	Attached, tilt facehole with plug
Arm Support	Adjustable drop arm armrests, both sides
Top adjustment mechanism	Two 24v DC, 5 amp max motor/actuators, UL recognized; powered through a 110v, 5 amp transformer



Main lift mechanism	Two 24v DC, 5 amp max motor/actuators for height adjustment of 27" to 35" (powered through the same transformer as the top actuators)
Controls	8-button hand control 2-button foot pedal
Standard size top	33.5" x 81"
Foam	2" firm bottom layer + 1- 3/4" medium-density layer of urethane polymer
Polyester batting	1/2" fluffy polyester Dacron top layer
Frame	3/4" plywood frame reinforced for armrests and face cradle

**BASE & FRAME:**

Contemporary design	Carbon steel base
White powder-coat finish with twin anodized-aluminum pedestals	Leg recess, head end
10" recess from ends of table	Leg recess, foot end
13" recess from ends of table	Height range
26"- 34"	Lifting weight
Lifting weight capacity 650 lbs.	Capacity
Static weight capacity 1000 lbs.	

**VINYL:**

UltraSoft-Touch Vinyl	Lightly textured, super-soft PU vinyl, fabric backed
-----------------------	--

OPTIONAL ACCESSORIES:

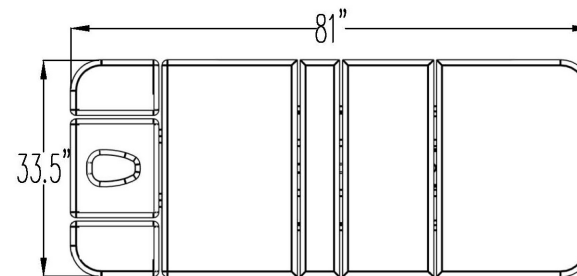
Foot extension	Salon Footrest (6" x 15") or Full Footrest (10" x 24")
Head/Neckrest	Salon Headrest (6" x 15") plus Facial Neck Bolster

GUARANTEES:

Structure	10 yr. on replacement parts for frame/structure and 1 yr. on labor*
Motor & controls	2 yr. warranty on materials for mechanical/electrical parts
Vinyl & foam	2 yrs. on materials
	*Labor warranty for USA customers only

WEIGHTS:

Table weight	300 lbs.
Shipping weight - boxed	350 lbs.
Shipping dimensions	83"L x 39"W x 37" H



1403 S Third St Ext, Mebane, NC 27302
800.678.6824 touchamerica.com