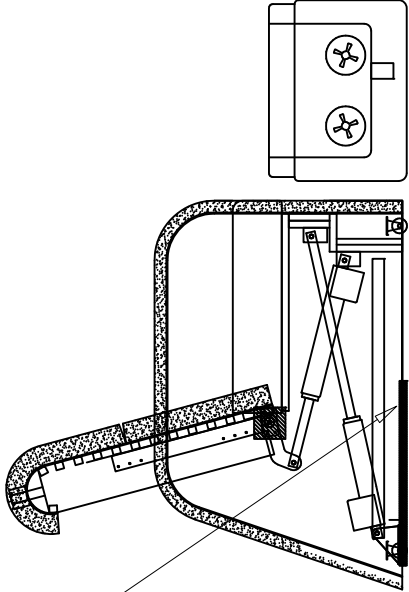


1. TILT SEAT BACK TO FULL UP-RITE POSITION.
2. RELEASE VELCRO ON FLEXIBLE VINYL ACCESS PANEL.
3. REMOVE 4 BOLTS FROM BACK PANEL AND THEN REMOVE PANEL OF CHAIR BASE.

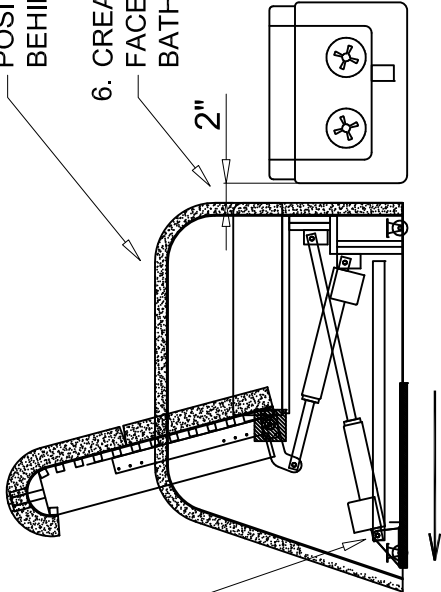
7. CONFIRM THE FLOOR PLATE SIDES ARE PARALLEL TO THE CHAIR BASE SIDES. SECURE THE WOOD FLOOR PLATE TO THE FLOOR WITH APPROPRIATE FASTENERS FOR YOUR FLOOR TYPE. USE AT LEAST 4 FASTENERS TO SECURE THE 4 CORNERS.



4. PLUG POWER CORD INTO RECEPTACLE. USE HAND CONTROL TO EXPAND MOTOR TO CONFIRM THE WOOD FLOOR PLATE IS EXTENDED TO FULL DISTANCE TOWARDS REAR OF CHAIR.

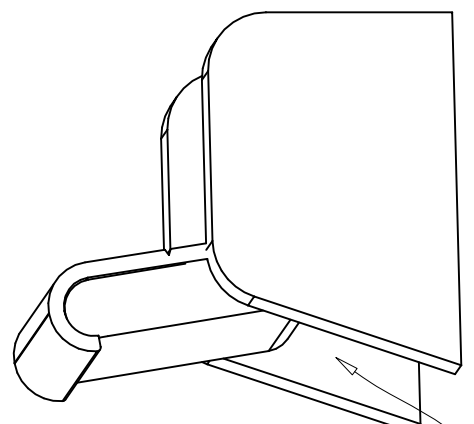
5. MOVE THE CHAIR INTO POSITION THAT IS CENTERED BEHIND THE FOOT BATH.

6. CREATE 2" GAP BETWEEN FACE OF CHAIR AND FOOT BATH.



8. RE-INSTALL BACK PANEL OF CHAIR BASE.
9. RE-SECURE VELCRO ON FLEXIBLE VINYL ACCESS PANEL.

10. ENJOY.



	DRAWN BY: T.K.	CHECKED: 	PRODUCT NAME: INSTALLATION INSTRUCTIONS	PRODUCT CODE: ST-FMCP-03
	DESIGNED BY: S.G.	APPROVAL: 	for Destiny Foot Massage Chair	PLOT DATE: 31 MAR 2014 SCALE: NONE SHEET 1 OF 1 FILE NAME: -
1403 S. Third St. Ext., Mebane, NC 27302 PH: 919/732-6968 FAX: 919/732-1173 WEB: WWW.TOUCHAMERICA.COM		THE CONTENTS OF THIS DRAWING ARE THE PROPERTY OF TOUCH AMERICA, INC. AND CAN NOT BE COPIED FOR COMMERCIAL OR PERSONAL USE WITHOUT EXCLUSIVE WRITTEN CONSENT OF TOUCH AMERICA, INC.		
		REV. DATE INITIALS REVISION DESCRIPTION	REV. DATE INITIALS REVISION DESCRIPTION	