

APHRODITE

Battery Table #21008-XX
 Stationary Table #21009-XX



The **Aphrodite Wet Table** combines a plush, upholstered top made of seamless, marine-grade vinyl with water/mildew-resistant underside, on a corrosion-resistant base for comfort and longevity. Useful for wet or dry spa treatments. Table height adjusts on both the stationary base (manually) and on the battery-powered pedestal model. A battery charger comes with the pedestal model. A removable marine-grade vinyl cover goes over the built-in marine-grade vinyl top. (Not recommended for use with Vichy Shower. Please see our Neptune table.)

STANDARD BASE COLOR:



WHITE POWDER COATED STEEL

(Custom finishes available)

STANDARD VINYL COLORS:



ALMOND

(Custom colors available)

OPTIONS & ADD-ONS:

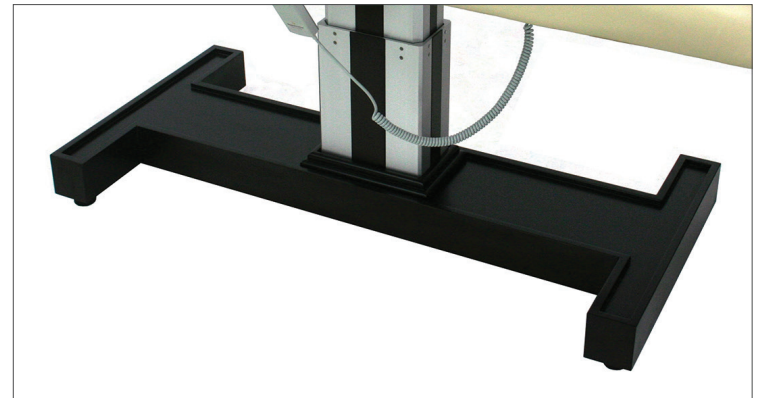
Battery Table #21008
 Stationary Table #21009
 Aphrodite Replacement Top Cover #21001



Removable vinyl cover provides an extra layer of protection and can be replaced at a low cost.



Stationary base height can be manually adjusted.



Custom base finishes available upon request.

TOP:

Top design
Standard size top
Frame
Foam

Flat top with round corners and upholstered in Almond colored marine-grade vinyl 30"x73"
3/4" plywood, sealed with exterior-grade paint
2" firm bottom layer + 1- 3/4" medium-density layer of urethane polymer and 1/2" fluffy polyester Dacron top layer batting.
Lightly-textured, fitted, marine-grade vinyl cover is water resistant, in White, Camel, Almond or Black. (Optional Wet Sheet for wet treatments is recommended.)

BASE & FRAME:

Base
Leg recess
Height range
Lifting weight
Capacity

Sleek, contemporary design with white powder-coat finish and anodized aluminum center pedestal
6" leg recess at end of table with foot section flat
24"- 32" Battery table; 25"- 33" Stationary
Lifting weight capacity 375 lbs.
Static weight capacity 800 lbs.

MOTORS & CONTROLS:

Base lift motor
Controls

24v 4.5 A/h battery powers a linear actuator within the lifting column through a 24v, 8.50 A max control box mounted to the underside of the top.
2-button hand control on Battery table

VINYL:

UltraSoft Touch

Marine-grade vinyl

OPTIONAL ACCESSORIES:

Contour FaceSpace w/ Pillow (water resistant)
Flat or Fitted Wet Sheet, dark blue
Face Pillow Drape covers Contour FaceSpace Pillow for wet treatments
Wet Spa Bolster, dark blue (water resistant - cover with Wet Sheet)
Fitted vinyl cover (as replacement)

GUARANTEES:

Structure
Vinyl & foam
Motor & controls

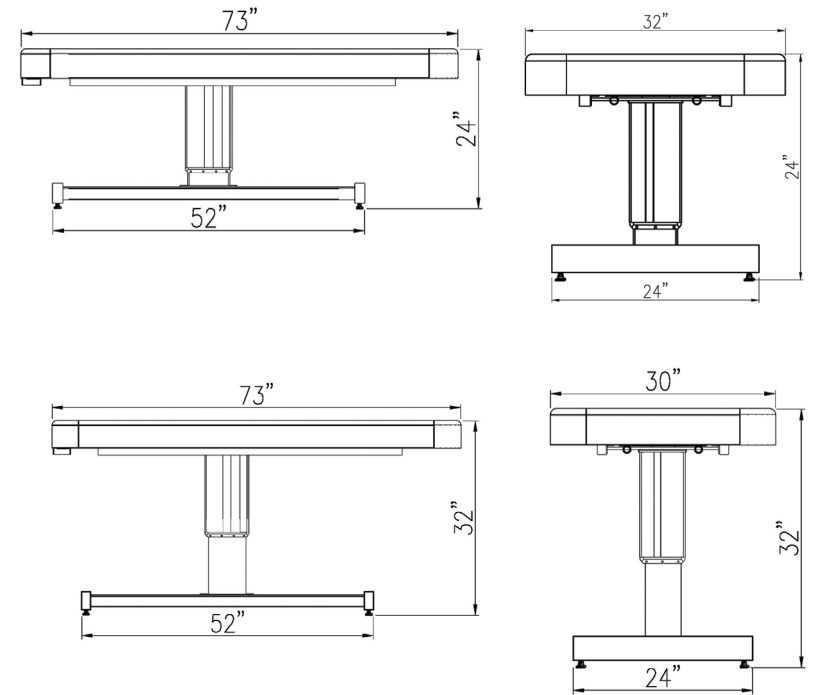
2 yrs. on replacement parts and 1 yr. on labor (labor warranty USA only)
2 yrs. on materials
2 yr. warranty on materials; 1 yr. on battery

WEIGHTS:

Table weight
Shipping weight - boxed
Shipping dimensions

200 lbs. Battery table; 125 lbs. Stationary
250 lbs. Battery table; 175 lbs. Stationary
83"L x 39"W x 37"H

BATTERY MODEL



STATIONARY MODEL

