



TOUCHAMERICA

EVOLVING THE SPA EXPERIENCE



TOUCHAMERICA
Since 1983 • Mebane, NC



For more than 30 years, TouchAmerica has been developing and manufacturing innovative spa and salon equipment solutions at our North Carolina headquarters.

Our humble start came when Robin Zill, a new massage therapist, needed a portable massage table and Stewart Griffith built her one. This led to the two of them not just creating a family together, but also a family company that manufactures a complete line of quality wellness equipment and furniture. The formula for success in our growth has been the emphasis on conveying a quality product to our customers and a quality environment appreciated by our long-standing employees.

Today, we develop a full range of spa and salon equipment, custom furniture, cabinetry and merchandising solutions. TouchAmerica still manufactures products in North Carolina, where it all started. Our wholly-owned subsidiary, Touch International, also custom-designs and manufactures for some of the biggest names in the spa, hotel and beauty industry.

TouchAmerica operates under a simple mantra: "Quality and elegance are never an accident. They are the result of sincere effort, intelligent direction and purposeful execution." We believe that our high-quality products reflect our professional beliefs, and also help add a touch of class and elegance to our customers' workplaces. When a potential client enters a spa or salon, their expectation is to be impressed by the atmosphere. Not only do clients anticipate a relaxing escape from their daily routine, they also hope to be pampered by luxury and comforted by soothing surroundings. TouchAmerica manufactures equipment that turns these expectations into a reality. By creating products crafted with the best materials, combined with innovative designs, we are able to develop spaces that provide a heightened, touch-inspired experience.

CONTENTS



STATIONARY TREATMENT TABLES | 6

PORTABLE TABLES & CHAIRS | 36

TABLE ACCESSORIES | 46

HYDROTHERAPY | 50

WET ROOM ACCESSORIES | 60

PEDICURE | 64

PEDICURE CARTS & STOOLS | 79

HALOTHERAPY | 82

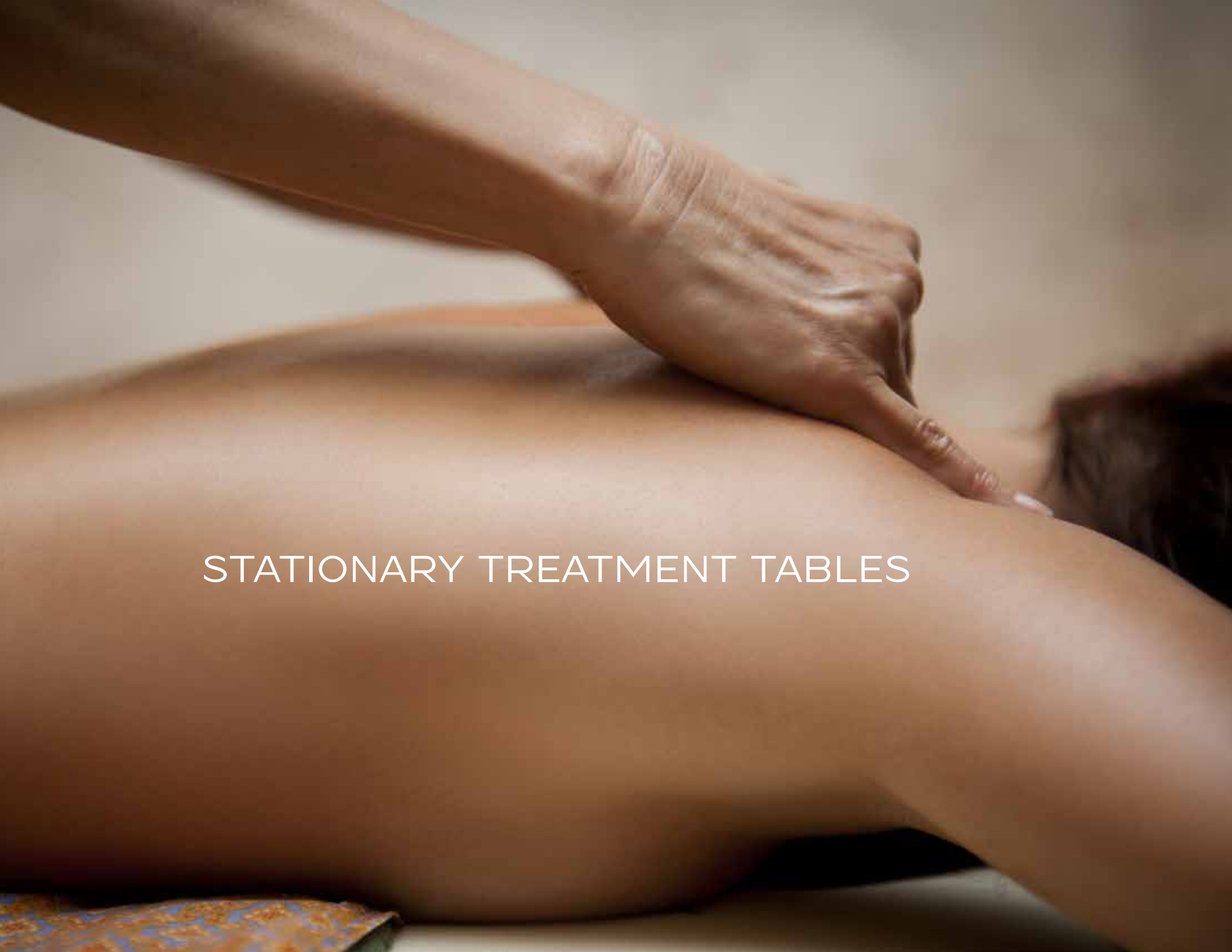
RETAIL FIXTURES & FURNITURE | 94

ROOM ACCESSORIES | 98

SIGNATURE SPA EQUIPMENT | 114

COLOR & FINISH OPTIONS | 120

WARRANTIES & SHIPPING | 126



STATIONARY TREATMENT TABLES



The treatment table is the heart and soul of any treatment room, and choosing the right table is essential to the comfort and success of every client's experience. TouchAmerica offers a wide variety of tables and features, designed and built to suit the needs of any spa.

MOTORIZED TABLES



Convenient USB connectors built in

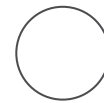
Contact TouchAmerica's sales team to learn more about tailored sheet sets for the MESA.

MESA

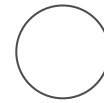
#33077-XX

The Mesa is a high-value treatment table that is full of high-end features. At a fraction of the cost, we have created a table with features found on costly high-end treatment tables. Features include motorized height and top adjustments, heated top, one-piece memory foam cushion, ultra-soft upholstery, drop armrests, and a storage drawer. Supported by a sturdy wood base, the Mesa creates a very comfortable and functional treatment table that is attractive and durable while remaining affordable.

STANDARD BASE FINISH AND UPHOLSTERY:



White Lacquer



White Upholstery

CUSTOM BASE FINISH AND UPHOLSTERY OPTIONS (longer lead time):

CUSTOM BASE OPTIONS:



Wenge White Maple Nutmeg Black Lacquer Grey Lacquer

CUSTOM UPHOLSTERY OPTIONS:



Pebble Slate Black Camel Almond



Fully integrated heating



Hydraulically-adjustable face support



Optional storage drawer shown.

TOP:

Top design: L 81" x W 31", Soft and Durable Vinyl, Memory Foam Top
 Standard size top: One piece heated top
 Foam: 2" firm bottom layer + 1- 3/4" medium-density layer of urethane polymer
 Polyester batting: 1/2" fluffy polyester Dacron top layer
 Frame: High quality plywood + .8" hard foam + 1.2" medium soft foam + 1.2" soft foam + 1.2" memory foam

BASE & FRAME:

Carbon steel base: Wood veneer cabinet with stainless steel trim
 Height range - standard: Height adjustment 25"-36"
 Lifting weight: Lifting weight capacity 375 lbs.
 Capacity: Static weight capacity 450 lbs.
 Adjustments: All electrical with 3 motors adjustment
 Back tilt angle: Back angle 50 degrees, foot angle 40 degrees, one-piece heated top
 Knee tilt angle: 0 to 30°

MOTORS & CONTROLS:

Main lift mechanism: One 24v DC, 5 amp max motor/actuator, UL recognized (powered through the same transformer as the top actuators)
 Top lift mechanism: Two 24v DC, 5 amp max motor/actuators, powered through a 110v, 5 amp transformer (motors and transformer are UL recognized)
 Controls: Hand control

VINYL:

Ultra-Soft Touch: Lightly textured, super-soft PU vinyl, fabric backed
 Vinyl colors: Almond, Camel, Black or White vinyl

OPTIONAL ACCESSORIES:

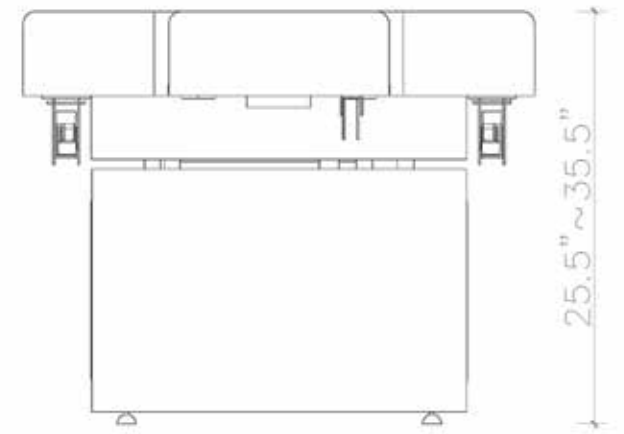
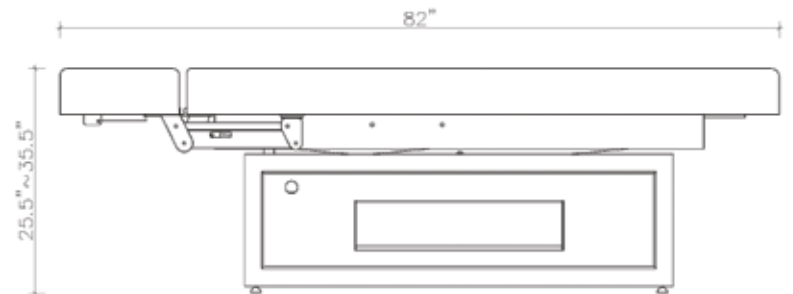
Warming Drawer: Warming drawer or storage drawer for the base
 Face support: Contour FaceSpace
 Arm support: Retractable armrests
 USB ports: 2 USB ports

GUARANTEES:

Structure: 10 yrs. on replacement parts for frame/structure and 1 yr. on labor**
 Motor & controls: 2 yrs. on materials
 Vinyl & foam: 2 yrs. on materials
 **Labor warranty for USA customers only

WEIGHTS:

Table weight: 270 lbs.
 Shipping weight - boxed: 340 lbs.
 Shipping dimensions: 83"L x 39"W x 37"H



MOTORIZED TABLES



ATLAS CONTEMPO

#11395-XX



Table is pictured with optional Flex Armrests, Headrest, Lumawood corners, and Hot Towel Cabinet

TouchAmerica's Atlas Contempo features elegant looks in a highly functional treatment table. The distinctively-styled cabinet has sliding doors with genuine walnut wood veneer, accented with stainless steel trim. There is ample storage, plus room for a full-size Hot Towel Cabinet. Sublimely comfortable, the motorized top sections adjust by hand control, with back achieving a 60° tilt. LED lights in the cabinet create a soft elegance to enhance any treatment room. Treat your senses and your clients to TouchAmerica's Atlas Contempo.

STANDARD BASE COLOR:



WALNUT

STANDARD VINYL COLORS:



WHITE



ALMOND



CAMEL



BLACK



Lumawood option with Multi Pro top



Hot Towel Cabi Option

TOP:

Top design Four-piece adjustable top with round corners, 3-layer foam, 3/4" plywood
 Top adjustments Easy motorized adjustments of torso, knee and upper body sections, plus total table height adjustment
 Back tilt angle 0 to 60°
 Knee tilt angle 0 to 30°
 Max tilt angle (entire top) 0 to 15°
 Top adjustment mechanism Two 24v DC, 5 amp max motor/actuators, UL recognized; powered through a 110v, 5 amp transformer
 Main lift mechanism Two 24v DC, 5 amp max motor/actuators-height adjustment 24.5" to 32.5"
 Controls 6-button hand control
 Standard size top 30" x 73"
 Foam 2" firm bottom layer + 1- 3/4" medium-density layer of urethane polymer
 Polyester batting 1/2" fluffy polyester Dacron top layer
 Frame 3/4" plywood frame reinforced for armrests and face cradle

BASE & FRAME:

Carbon steel base Contemporary design
 Walnut veneer with clear finish, round stainless steel clad corners.
 Twin anodized aluminum pedestals
 Leg recess, head end 10" recess from ends of table
 Leg recess, foot end 8" recess from ends of table
 Height range 24.5"-32.5"
 Lifting weight Lifting weight capacity 650 lbs.
 Capacity Static weight capacity 1000 lbs.
 Power strip included Power strip mounted inside cabinet to plug in optional Hot Towel Cabi*
 *Power strip is not readily accessible for frequent plugging/unplugging

VINYL:

UltraSoft-Touch Vinyl Lightly textured, super-soft PU vinyl, fabric backed
 Colors: Camel, Almond, White or Black

OPTIONAL ACCESSORIES:

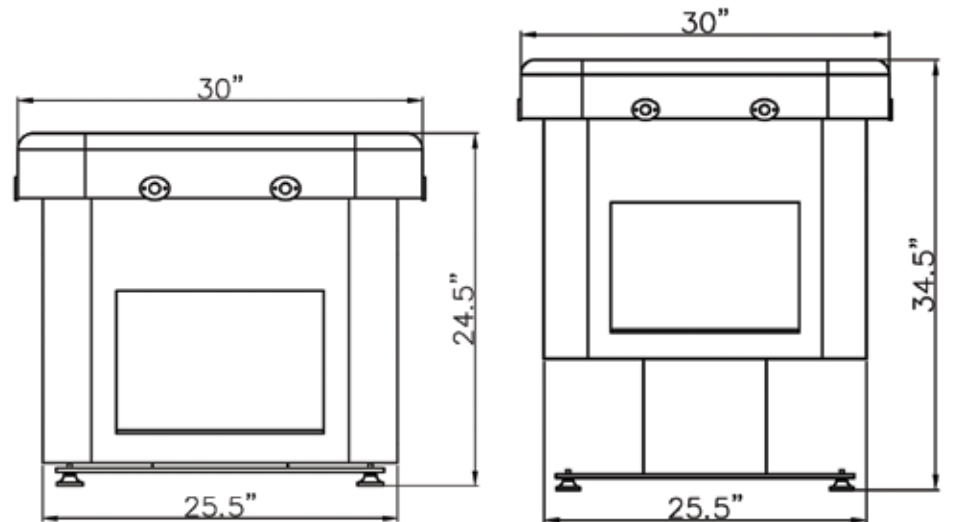
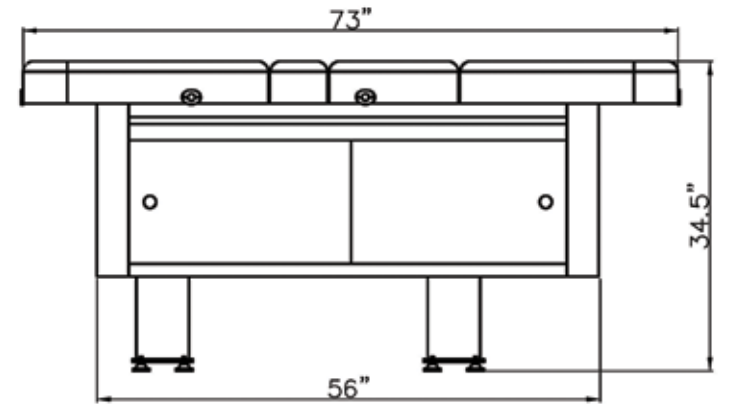
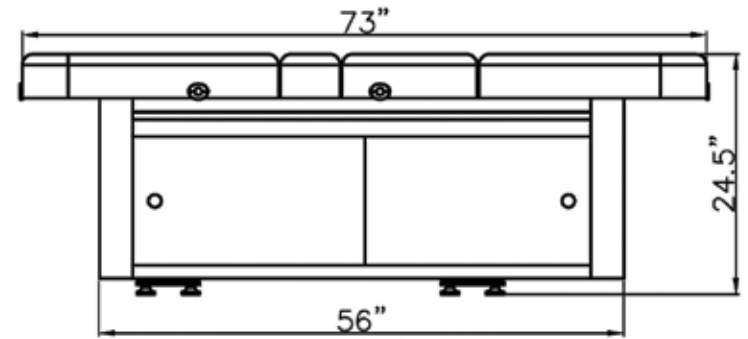
Hot Towel Cabi Standard Hot Towel Cabi fits into opening at foot end
 Face support Contour FaceSpace
 Armrests Flex Armrests
 Foot extension Salon Footrest (6" x 15") or Full Footrest (10" x 24")
 Head/Neckrest Salon Headrest (6" x 15") plus Facial Neck Bolster

GUARANTEES:

Structure 10 yrs. on replacement parts for frame/structure and 1 yr. on labor**
 Motor & controls 2 yr. warranty on materials for mechanical/electrical parts
 Vinyl & foam 2 yrs. on materials
 **Labor warranty for USA customers only

WEIGHTS:

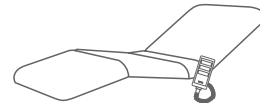
Table weight 425 lbs.
 Shipping weight - boxed 480 lbs.
 Shipping dimensions 83"L x 39"W x 37" H



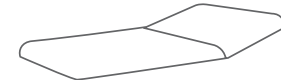
MOTORIZED TABLES

VIOLA #11650-XX

The **Viola PowerTilt** treatment table is fully motorized and built with a durable, welded-steel frame that's adjusted by a four-legged hydraulic lifting system. The Viola has been a favorite brand standard for multiple international hospitality companies. Cherry veneer cabinets and clean lines give this table personality. The Viola features a plush foam top that makes for an exceptionally comfortable client experience.



POWERTILT TOP OPTION #11650-XX



FACE & BODY TOP OPTION #11620-XX

STANDARD BASE COLOR:



CHERRY

(Custom finishes available)

STANDARD VINYL COLORS:



WHITE



ALMOND



CAMEL



BLACK

(Custom colors available)

OPTIONS & ADD-ONS: Viola PowerTilt, Bamboo Cabinet 11651
End Drawer/Shelf 990-051



OPTION: End Drawer/Shelf- Extra storage space. Made to fit appliances 13.5" wide, 18" deep, and 8.5" high."



OPTION: Bamboo doors offer an attractive contemporary accent.



Powered by a hydraulic lifting system.

TOP:

Top design Four-piece adjustable top with round corners on PowerTilt; 2-piece top on Face & Body top, three-layer foam, 3/4" plywood

Standard size top 30" x 73"

Foam 2" firm bottom layer + 1- 3/4" medium-density layer of urethane polymer

Polyester batting 1/2" fluffy polyester Dacron top layer

Frame 3/4" plywood frame reinforced for armrests and face cradle

Adjustments Easy motorized adjustments of torso, knee, and upper body sections

Back tilt angle 0 to 60°

Knee tilt angle 0 to 30°

BASE & FRAME:

Base Elegant design with Cherry wood veneer surrounding a carbon steel frame

Cabinet Standard

End panel and door options Cherry standard; Bamboo doors optional

Cabinet interior dimensions 45"L x 13.5"H x 21"W

Drawer option Optional End Drawer w/ inside dimensions of 13.5"W x 15"L

8" leg recess 8" recess from ends of table

Height range 25" to 36.5" (infinite motorized adjustment)

Lifting weight Lifting weight capacity 450 lbs.

Weight capacity Static weight capacity 1000 lbs.

Optional power strip Optional power strip available to power appliances used inside base cabinet

MOTORS & CONTROLS:

PowerTilt motors Two 24v DC, 5 amp max motor/actuators, powered through 110v, 5 amp transformer

Base lift motor Dyna-lift motorized (24v DC, 4 amp) hydraulic lift system uses the same transformer as the top motor/actuators

Controls Hand control on PowerTilt; foot pedal on Face & Body

VINYL:

UltraSoft-Touch Lightly textured, super-soft PU vinyl, fabric backed

Vinyl Colors Camel, Almond, Black or White

OPTIONAL ACCESSORIES:

Sidearms Flex Armrests

Face support Contour FaceSpace

Foot extension Salon Footrest or Full Footrest

Neck bolster Facial Neck Bolster

GUARANTEES:

Structure 10 yrs. on replacement parts for frame/structure and 1 yr. on labor**

Vinyl & foam 2 yrs. on materials.

Motor & controls 2 yrs. on materials. 1 yr. on labor for hydraulic leg motors**

Wood veneer 1 yr.

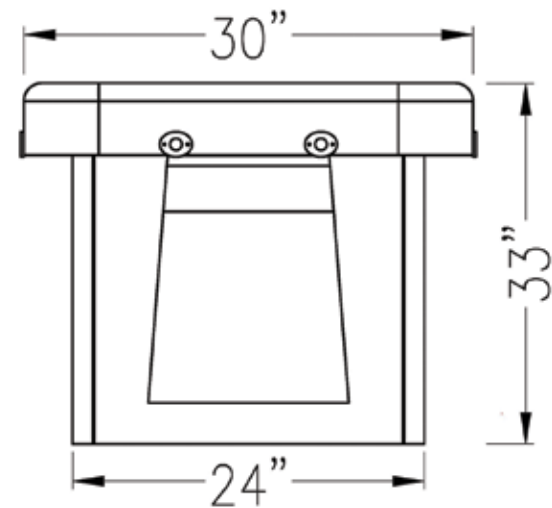
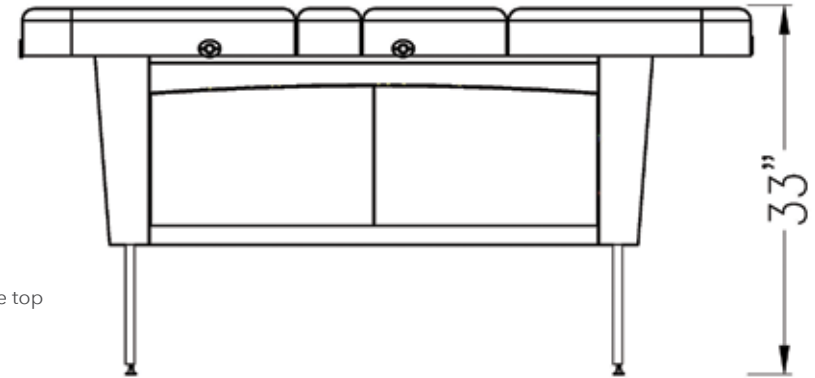
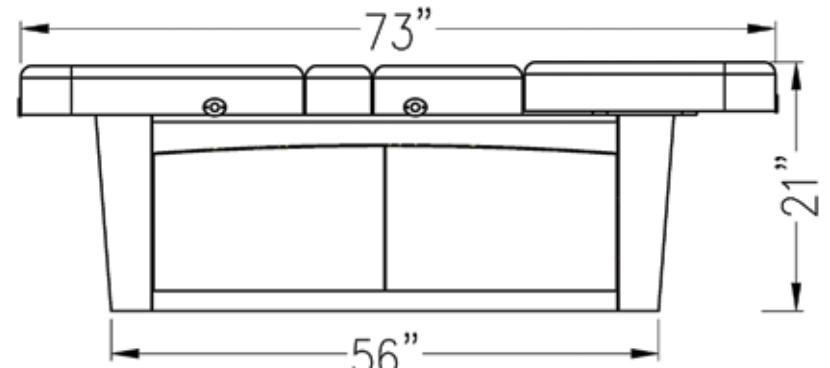
**Labor warranty applies to USA customers only

WEIGHTS:

Table weight 275 lbs.

Shipping weight - boxed 345 lbs.

Shipping Dimensions 83"L x 39"W x 37"H



MOTORIZED TABLES

SANYA #14550-XX

The Sanya is a fully-motorized treatment table that offers value, comfort, and durability. We created an innovative lift system and combined it with an attractive wood base. We are thrilled with the internal steel frame and geometry of the articulating lift arms. Quiet, push-button top and base adjustments, genuine craftsmanship, and convenient storage space are some of the features you're going to appreciate. Discover why this elegantly-engineered table is one of our best sellers.



STANDARD BASE COLOR:



WENGE
(Custom finishes available)

STANDARD VINYL COLORS:



WHITE ALMOND CAMEL BLACK
(Custom colors available)

OPTIONS & ADD-ONS: Glass Door Upgrade for Sanya 990-040
End Drawer/Shelf 990-051



Internal scissor lift offers 4 point stability, storage space, and an easy-to-maintain single warm gear actuator.



Pocket sliding cabinet doors provide quiet and easy to access storage.



New memory foam system and topstitched upholstery adds to this versatile table's style and comfort.

TOP:

Top design	Four-piece adjustable top with round corners, three-layer foam, 3/4" plywood
Standard size top	30" x 73"
Foam	2" firm bottom layer + 1- 3/4" medium-density layer of urethane polymer
Polyester batting	1/2" fluffy polyester Dacron top layer
Frame	3/4" plywood frame reinforced for armrests and face cradle
Adjustments	Easy motorized adjustments of torso, knee, and upper body sections
Back tilt angle	0 to 60°
Knee tilt angle	0 to 30°

BASE & FRAME:

Carbon steel base	Wood veneer cabinet with Wenge finish.
-------------------	--

Height range - standard	24.5" - 34.5" (infinite motorized adjustment)
Lifting weight	Lifting weight capacity 375 lbs.
Capacity	Static weight capacity 800 lbs.

MOTORS & CONTROLS:

Main lift mechanism	One 24v DC, 5 amp max motor/actuator, UL recognized (powered through the same transformer as the top actuators)
Top lift mechanism	Two 24v DC, 5 amp max motor/actuators, powered through a 110v, 5 amp transformer (motors and transformer are UL recognized)
Controls	Hand control

VINYL:

Ultra-Soft Touch	Lightly textured, super-soft PU vinyl, fabric backed
Vinyl colors	Almond, Camel, Black or White vinyl

OPTIONAL ACCESSORIES:

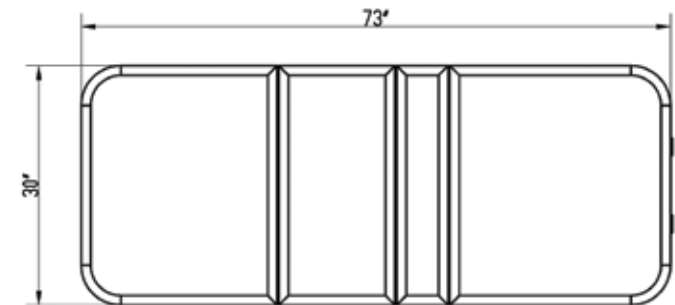
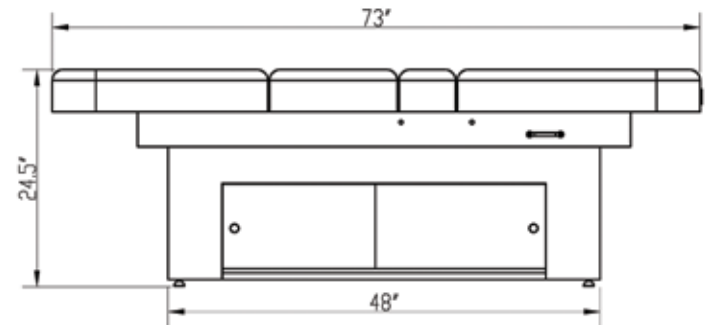
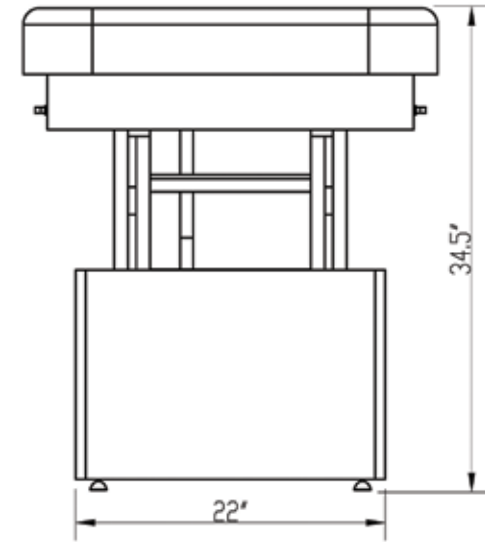
Sidearms	Flex Armrests
Face support	Contour FaceSpace
Foot extension	Salon Footrest or Full Footrest
Neck bolster	Facial Neck Bolster

GUARANTEES:

Structure	10 yrs. on replacement parts for frame/structure and 1 yr. on labor**
Motor & controls	2 yrs. on materials
Vinyl & foam	2 yrs. on materials
	**Labor warranty for USA customers only

WEIGHTS:

Table weight	270 lbs.
Shipping weight - boxed	340 lbs.
Shipping dimensions	83"L x 39"W x 37"H



MOTORIZED TABLES



EMBRACE

#11381-XX



Shown with optional walnut base.

TouchAmerica's **Embrace Treatment Table** lives up to its name. Its many features and adjustments bring comfort reminiscent of a mother's hug. Drop down, swing-away armrests offer comfort and total shoulder access. Easy tilt face cradle section with filler plug when flat section is needed. Large 33.5"x81" super-comfortable top accommodates everyone. Dual-pedestal lift motors allow top to tilt in either direction. Push-button control of back and thigh/leg sections. 27"x35" height range. Open base architecture allows freedom of movement around table.

STANDARD BASE COLOR:



WHITE POWDER COATED STEEL

(Custom finishes available)

STANDARD VINYL COLORS:



WHITE



ALMOND



CAMEL



BLACK

(Custom colors available)

ADD-ONS: Casters 41035

Bluetooth remote 998-952

Hot Towel Cabi 11381-cab



Optional hot towel cabi saves space; fits neatly into the stylish cabinet base.



Push-button control operates back and thigh/leg sections; dual pedestal operates independently.



Drop down, swing away armrests provide comfort and total shoulder access

TOP:

Top design Four-piece adjustable top with round corners, 3-layer foam, 3/4" plywood
 Top adjustments Easy motorized adjustments of torso, knee and upper body sections, plus the entire top can tilt to either end by using independent pedestal heights

Back tilt angle 0 to 60°
 Knee tilt angle 0 to 30°
 Max tilt angle (entire top) 0 to 15° (cabinet model does not tilt)
 Face Support Attached, tilt facehole with plug
 Arm Support Adjustable drop arm armrests, both sides
 Top adjustment mechanism Two 24v DC, 5 amp max motor/actuators, UL recognized; powered through a 110v, 5 amp transformer

Main lift mechanism Two 24v DC, 5 amp max motor/actuators for height adjustment of 27" to 35" (powered through the same transformer as the top actuators)
 Controls 8-button hand control
 2-button foot pedal
 Standard size top 33.5" x 81"
 Foam 2" firm bottom layer + 1- 3/4" medium-density layer of urethane polymer
 Polyester batting 1/2" fluffy polyester Dacron top layer
 Frame 3/4" plywood frame reinforced for armrests and face cradle

BASE & FRAME:

Contemporary design
 Carbon steel base White powder-coat finish with twin anodized-aluminum pedestals
 Leg recess, head end 10" recess from ends of table
 Leg recess, foot end 13" recess from ends of table
 Height range 26"- 34"
 Lifting weight Lifting weight capacity 650 lbs.
 Capacity Static weight capacity 1000 lbs.

VINYL:

UltraSoft-Touch Vinyl Lightly textured, super-soft PU vinyl, fabric backed

OPTIONAL ACCESSORIES:

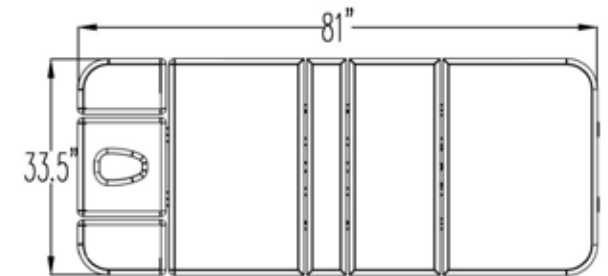
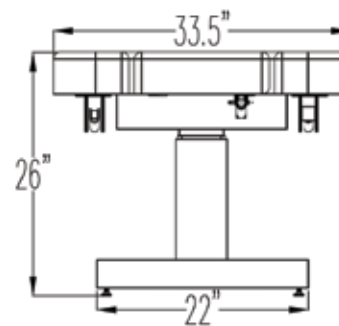
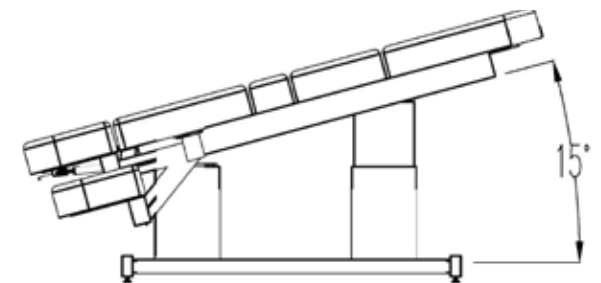
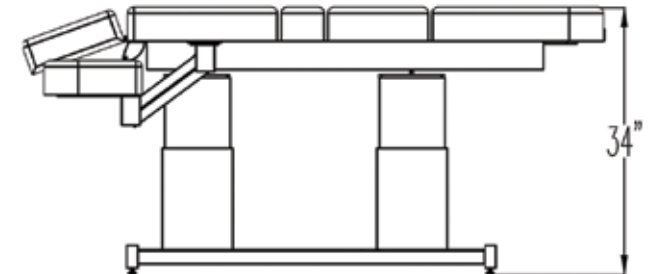
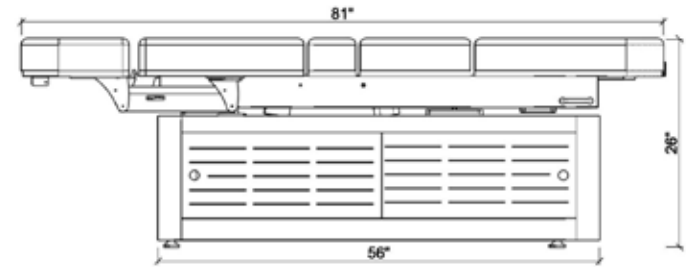
Foot extension Salon Footrest (6" x 15") or Full Footrest (10" x 24")
 Head/Neckrest Salon Headrest (6" x 15") plus Facial Neck Bolster

GUARANTEES:

Structure 10 yr. on replacement parts for frame/structure and 1 yr. on labor*
 Motor & controls 2 yr. warranty on materials for mechanical/electrical parts
 Vinyl & foam 2 yrs. on materials
 *Labor warranty for USA customers only

WEIGHTS:

Table weight 300 lbs.
 Shipping weight - boxed 350 lbs.
 Shipping dimensions 83"L x 39"W x 37" H



ATLAS CLASSIC

#11380-XX

Double-pedestal tables are known for their strength and adjustability. The **Atlas Classic** is a durable and sleek table with twin anodized aluminum pedestals on a carbon steel base. The pedestals can operate independently, allowing the table to tilt. This table's diverse range of motion allows you to position your client in ways not possible on most tables.



STANDARD BASE COLOR:



WHITE POWDER COATED STEEL

STANDARD VINYL COLORS:



WHITE



ALMOND



CAMEL



BLACK

OPTIONS & ADD-ONS: Casters

#41035



Atlas Classic base has anodized aluminum pedestal on white powder coated base.



Pedestals operate independently to achieve any position.



Eight-button hand control can operate motors independently at the same time.

TOP:

Top design Four-piece adjustable top with round corners, 3-layer foam, 3/4" plywood
 Top adjustments Easy motorized adjustments of torso, knee and upper body sections, plus the entire top can tilt to either end by using independent pedestal heights
 Back tilt angle 0 to 60°
 Knee tilt angle 0 to 30°
 Max tilt angle (entire top) 0 to 18°
 Top adjustment mechanism Two 24v DC, 5 amp max motor/actuators, UL recognized; powered through a 110v, 5 amp transformer
 Main lift mechanism Two 24v DC, 5 amp max motor/actuators for height adjustment of 26" to 34" (powered through the same transformer as the top actuators)
 Controls 8-button hand control, 2-button foot pedal
 Standard size top 30" x 73"
 Foam 2" firm bottom layer + 1- 3/4" medium-density layer of urethane polymer
 Polyester batting 1/2" fluffy polyester Dacron top layer
 Frame 3/4" plywood frame reinforced for armrests and face cradle

BASE & FRAME:

Carbon steel base Contemporary design
 Leg recess, head end White powder-coat finish with twin anodized aluminum pedestals
 Leg recess, foot end 10" recess from ends of table
 Height range 8" recess from ends of table
 Lifting weight Standard 26"-34"
 Capacity Lifting weight capacity 650 lbs.
 Static weight capacity 1000 lbs.

VINYL:

UltraSoft-Touch Vinyl Lightly textured, super-soft PU vinyl, fabric backed

OPTIONAL ACCESSORIES:

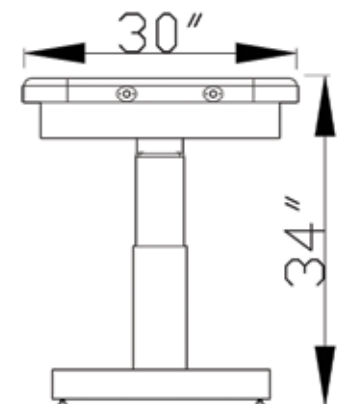
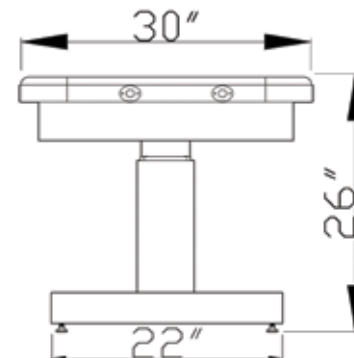
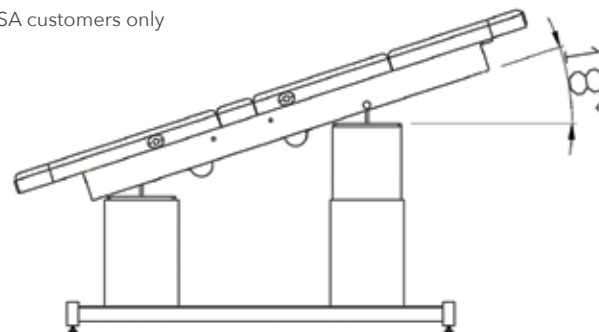
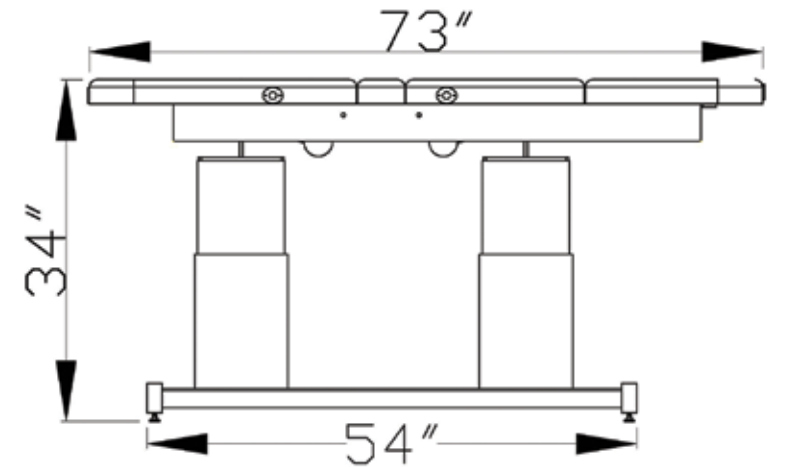
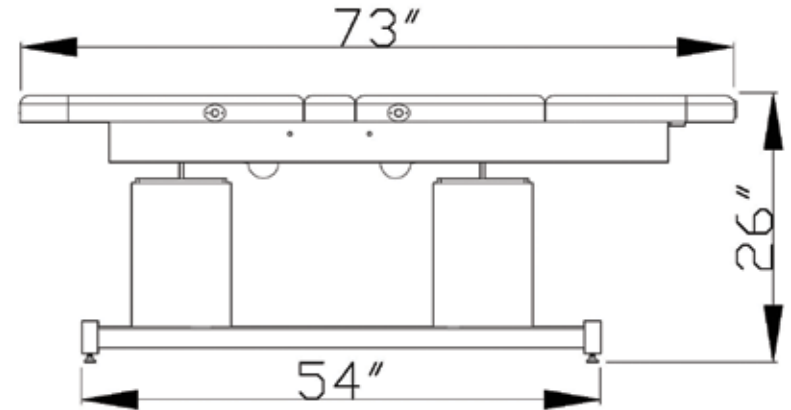
Face Support Contour FaceSpace
 Armrests Flex Armrests
 Foot extension Salon Footrest (6" x 15") or Full Footrest (10" x 24")
 Head/Neckrest Salon Headrest (6" x 15") plus Facial Neck Bolster

GUARANTEES:

Structure 10 yr. on replacement parts for frame/structure and 1 yr. on labor*
 Motor & controls 2 yr. warranty on materials for mechanical/electrical parts
 Vinyl & foam 2 yrs. on materials
 *Labor warranty for USA customers only

WEIGHTS:

Table weight 250 lbs.
 Shipping weight - boxed 300 lbs.
 Shipping dimensions 83"L x 39"W x 37" H



MOTORIZED TABLES

AIDA #14600-03

TouchAmerica's newest design, the **AIDA**, is a sleek, fully-motorized treatment table made of solid oak with a protective polyurethane finish. The adjustable dual pedestals allow you to raise and lower the top and bottom of the table independently to achieve a zero-gravity position, a fully flat position for facials, and any position in between. The arms raise and lower in tandem with the position of the bed for your client's comfort. The motors are controlled with a hand-held control panel, and there is plenty of space in the base to stow all your treatment materials. Everything is wrapped in an ultra-contemporary style that will complement almost any spa décor.

Luxe 4" foam upholstery is available in a versatile, neutral pearl color. Face cradle and armrest included with table.

STANDARD BASE COLOR:



OAK

STANDARD VINYL COLOR:



PEARL



Pedestals can be operated separately to offer zero gravity positioning.



Sleek design in beautiful oak wood



Hand-held power lift control

TOP:

Top design	Four Piece articulating top
Top Size	78"x 31"
Foam	4"
Polyester batting	.5"
Frame	Wood & Steel
Adjustments	Electrical worm gear actuators
Back tilt angle	0 to 67°
Leg tilt angle	0 to 27°

BASE & FRAME:

Base	Modern design solid oak with clear PU finish. Double independently controlled lift
Lift:	Pedestal lift design allows table to tilt.
Cabinet	Comes standard with sliding doors
Cabinet interior dimensions	7.5"H x 55"L x 17.9"W
Height range	26" to 36"
Lifting weight	650 lbs
Weight capacity	850 lbs

MOTORS & CONTROLS:

Knee and Back motors	Two 24v DC, 5 amp max motor/actuators, powered through 110v, 5 amp transformer
Base lift motor	Two 24v DC, 5 amp max motor/actuators, powered through 110v, 5 amp transformer Also available with an optional, rechargeable battery.
Controls	Hand Control 8 button

UPHOLSTERY:

Type	Lightly textured PU vinyl
Color	Pearl

ACCESSORIES:

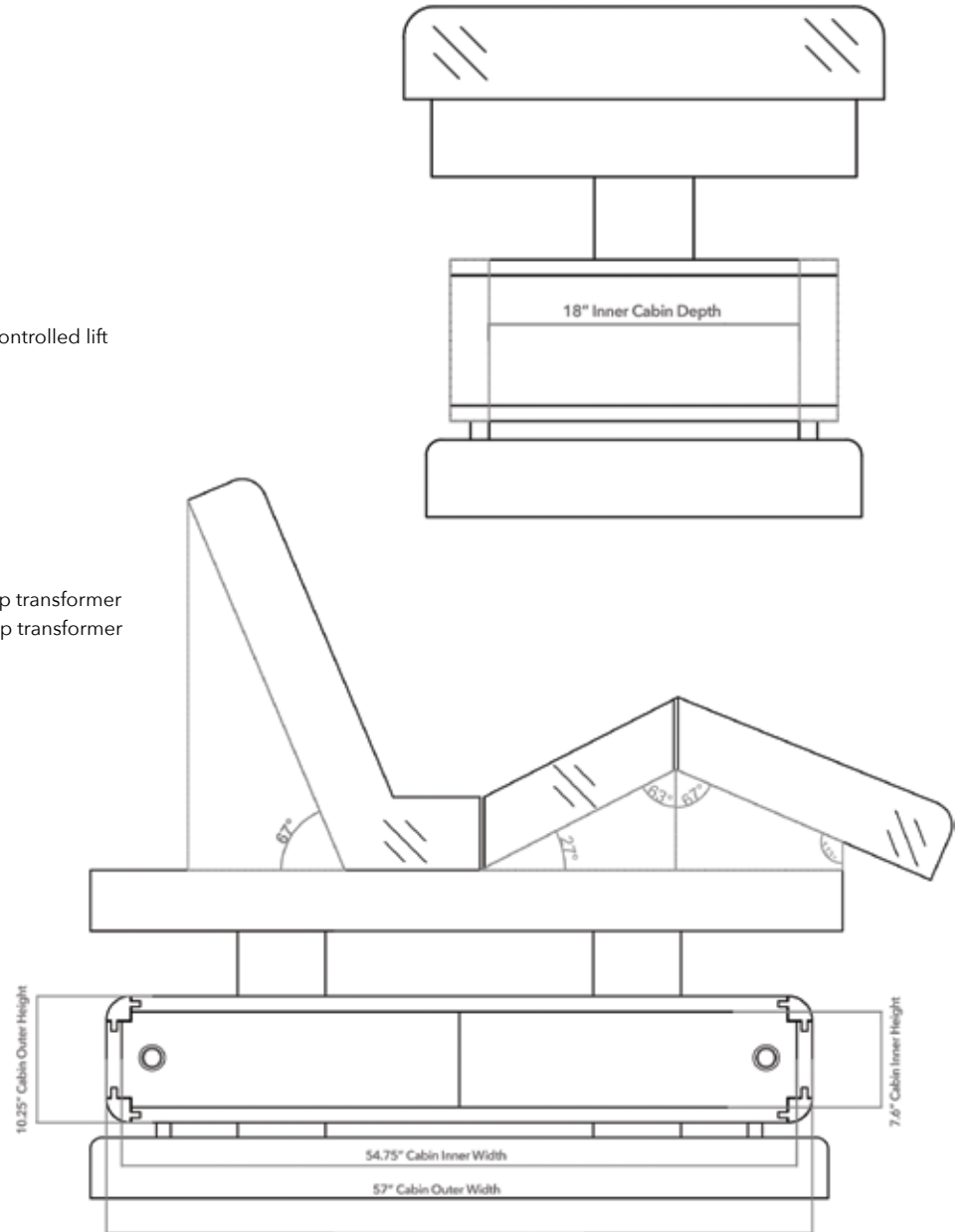
Sidearms	Included w/purchase of table
Face support	Included w/purchase of table

GUARANTEES:

Structure	10 years on replacement parts for frame/structure and 1 yr. labor**
Vinyl & foam	1 year. Only use lukewarm water and mild soap to clean the vinyl and no harsh chemicals, or alcohol-based sanitisers. Fire-retardant grade, lead and cadmium-free semi-PU vinyl.
Motor & controls	2 years
Labor	1 year **Labor warranty for customers in USA only **

WEIGHTS:

Table weight	270 lbs
Shipping weight - boxed	425 lbs
Shipping Dimensions	82"L x 34"W x 30"H



There are more specs available for this table. View and download [HERE](#).

MOTORIZED TABLES



MARIMBA #11365-XX

The Marimba chair/table has a generous three-piece top, contoured for added comfort. New tilt feature allows forward/backward tilting to enhance medi-spa or facial treatments. Suitable for light pressure massage modalities, the multi-functional Marimba is a stylish table with the characteristics and versatility of a treatment chair.



STANDARD
BASE COLOR:



WHITE POWDER COATED STEEL
(Custom finishes available)

STANDARD VINYL COLORS:



WHITE ALMOND CAMEL BLACK PEBBLE

(Custom colors available)



Four motors adjust the knee, back, height, and tilt providing a wide range of possible positions.



OPTION: Manicure armrests adjust to stay flat when tilting the backrest.



Lays flat for bodywork and accepts a face cradle.

TOP:

Top design
Standard size top
Foam
Frame
Adjustments
Incline tilt angle
Upper body tilt angle
Lower leg tilt angle

Three-section, upholstered top with tapered upper-body section
29" x 70"
5" triple-wrap
Tubular steel structure, white powder-coat finish
Four motorized adjustments for height, tilt, upper body, and leg
Top rotates toward head end to 30° below horizontal
Back section adjusts to 80°
Lower leg section folds to 100°

BASE & FRAME:

Carbon steel base
Height range
Lifting weight
Capacity

Sleek, low profile, contemporary design
White powder-coat finish with an anodized aluminum center pedestal
22.5" to 30.5"
Lifting weight capacity 375 lbs.
Static weight capacity 800 lbs.

MOTORS & CONTROLS:

Base lift motor

Tilt motor

Top motors

Controls

One 24v DC, 5 amp max motor/actuator in the pedestal extrusion (powered through the same transformer as the top actuators)
One 24v DC, 5 amp max motor/actuator in the pedestal extrusion (powered through the same transformer as the top actuators)
Two 24v DC, 5 amp max motor/actuators, UL recognized; powered through a 110v, 5 amp transformer
Hand control

VINYL:

Sturdy PVC fabric

OPTIONAL ACCESSORIES:

Sidearms
Face support
Footrest extension
Neck bolster

Flex Armrests or Swing Away Arms w/ Manicure Trays
Contour FaceSpace
Salon Footrest (Note: limits lowering of leg section)
Facial Neck Bolster

GUARANTEES:

Structure

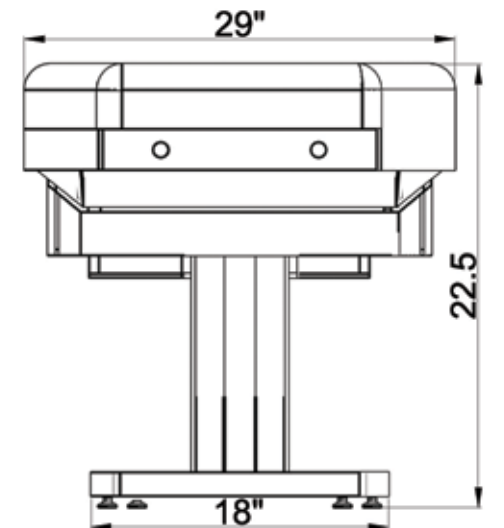
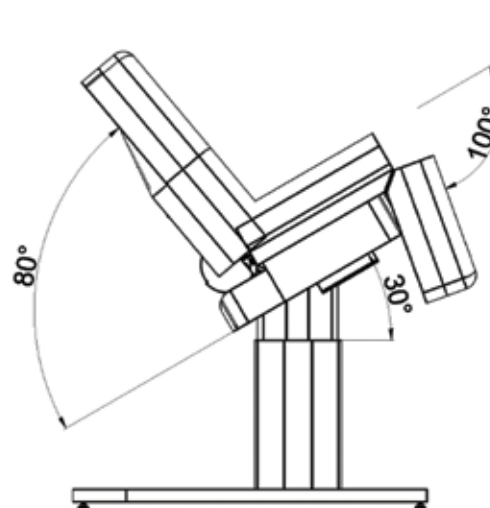
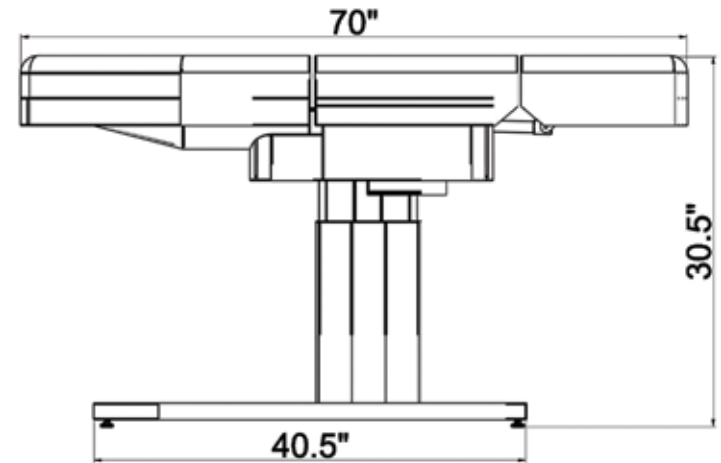
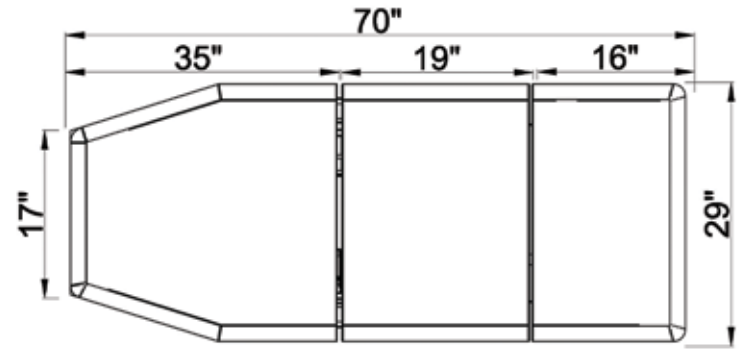
Motor & controls
Vinyl & foam

10 yrs. on replacement parts for frame/structure and 1 yr. on labor**
2 yrs. on electrical/mechanical parts
2 yrs. on materials
**Labor warranty for customers in USA only

WEIGHTS:

Table weight
Shipping weight - boxed

185 lbs.
265 lbs.



MOTORS & CONTROLS

MOTORIZED TABLES

EMPRESS #13365-XX

The petite **Empress** chair/table is ideal for medical spas and for facials/pedicures where space is limited. The innovative tilt mechanism allows for incline therapy. Not suitable for deep tissue massage. Add accessories to extend the table length. Shown with optional accessories.



STANDARD
BASE COLOR:



WHITE POWDER
COATED STEEL
(Custom finishes available)

STANDARD VINYL COLORS:



WHITE ALMOND CAMEL BLACK PEBBLE

(Custom colors available)



Fourth motor allows the empress to tilt on its axis.



Table operated by eight button hand control.



The ability to move into a fully seated position makes for easy on and off.

TOP:

Top design
Standard size top
Foam
Frame
Adjustments
Incline tilt angle
Upper body tilt angle
Lower leg tilt angle

Three-section, upholstered top with tapered upper-body section
27" x 63"
4" triple-wrap
Tubular steel structure, white powder-coat finish
Four motorized adjustments for height, tilt, upper body, and leg
Top rotates toward head end to 30° below horizontal
Upper-body section adjusts to 80° (disregard 70° angle shown)
Lower leg section folds to 100°

BASE & FRAME:

Carbon steel base

Height range
Lifting weight
Capacity

Sleek, low-profile, contemporary design
White powder-coat finish with an anodized aluminum center pedestal
21.5" to 29.5"
Lifting weight capacity 375 lbs.
Static weight capacity 800 lbs.

MOTORS & CONTROLS:

Base lift motor

Tilt motor

Top motors

Controls

One 24v DC, 5 amp max motor/actuator in the pedestal extrusion (powered through the same transformer as the top actuators)
One 24v DC, 5 amp max motor/actuator in the pedestal extrusion (powered through the same transformer as the top actuators)
Two 24v DC, 5 amp max motor/actuators, UL recognized; powered through a 110v, 5 amp transformer
Hand control

VINYL:

Sturdy PVC fabric

OPTIONAL ACCESSORIES:

Sidearms
Face support
Footrest extension
Neck bolster

Optional Flex Armrests or Swing Away Arms w/ Manicure Trays
Optional Contour FaceSpace
Optional Salon Footrest (Note: limits lowering of leg section)
Optional Facial Neck Bolster

GUARANTEES:

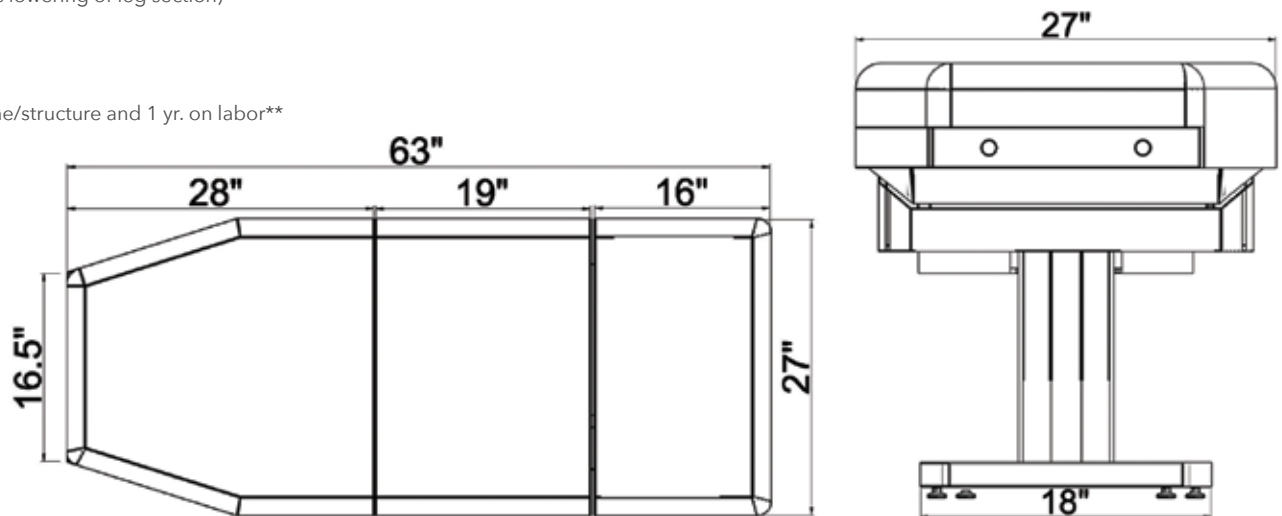
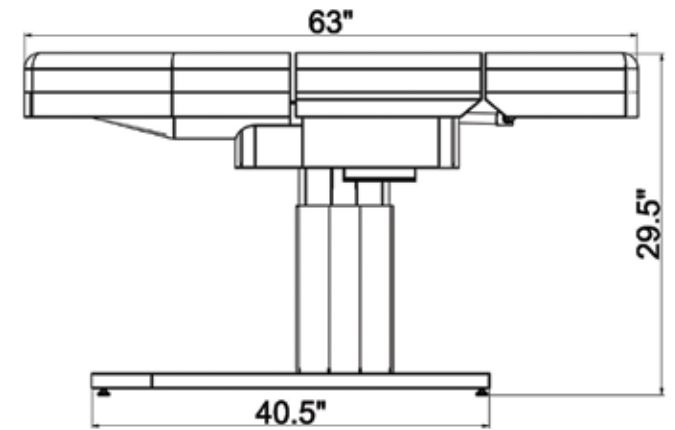
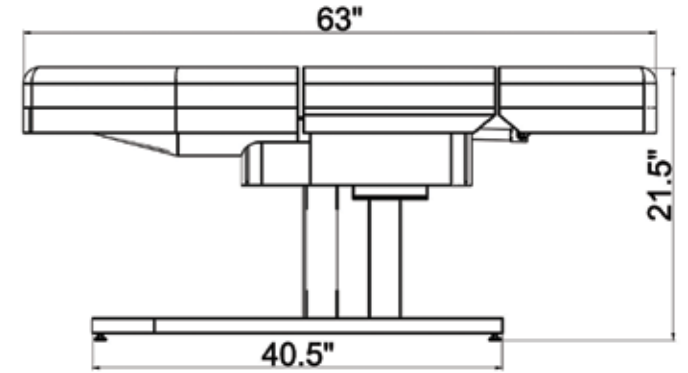
Structure
Motor & controls
Vinyl & foam

10 yrs. on replacement parts for frame/structure and 1 yr. on labor**
2 yrs. on electrical/mechanical parts
2 yrs. on materials
**Labor warranty for USA customers

WEIGHTS:

Table weight
Shipping weight - boxed
Shipping dims

165 lbs.
250 lbs.
53"L x 32"W x 36"H



MOTORIZED TABLES



VENETIAN

#113XO-XX

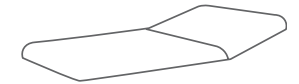
Simply elegant, the **Venetian Treatment Table** is suitable for a variety of light-touch spa/salon treatments. Venetian Face & Body features an electric-lift base, operated by foot pedal, and a two-piece top w/ manual-lift back section. MultiPro version has electric-lift base, operated by foot pedal and manually-adjustable back & knee sections. Venetian PowerTilt is fully motorized and all adjustments are made with hand control.



POWERTILT TOP OPTION
#11350-XX



MULTIPRO TOP OPTION
#11340-XX



FACE & BODY TOP OPTION
#11320-XX

OPTIONS & ADD-ONS: Battery Pack (cordless electric adjustments)
Recessed Locking Casters (mobility with only a 1" increase in table height)

STANDARD BASE COLOR:



WHITE POWDER COATED STEEL

(Custom finishes available)

STANDARD VINYL COLORS:



WHITE



ALMOND



CAMEL



BLACK

(Custom colors available)



POWERTILT: Fully motorized by six button hand control that operates electrical motors for height, knee, back, and head adjustments.



FACE & BODY and MULTIPRO TABLES: Foot pedal operates height adjustment. Knee and back section adjusted by releasing paddle handle beneath the table top.



TOP:

Top design	Four-piece adjustable top with round corners on PowerTilt; two-piece on Face & Body
Standard size top	30" x 73"
Foam	2" firm bottom layer + 1- 3/4" medium-density layer of urethane polymer
Polyester batting	1/2" fluffy polyester Dacron top layer
Frame	3/4" plywood frame reinforced for armrests and face cradle
Adjustments	Easy motorized adjustments of torso, knee, and upper body sections
Back tilt angle	0 to 60°
Knee tilt angle	0 to 30°

BASE & FRAME:

Carbon steel base	White powder coat finish with anodized aluminum center pedestal
Leg recess	10" recess from ends of table
Height range - standard	24" - 32" (infinite motorized adjustment)
Lifting weight	Lifting weight capacity 375 lbs.
Capacity	Static weight capacity 800 lbs.

MOTORS & CONTROLS:

Main lift mechanism	One 24v DC, 5 amp max motor/actuator, UL recognized (powered through the same transformer as the top actuators)
Top lift mechanism	Two 24v DC, 5 amp max motor/actuators, powered through a 110v, 5 amp transformer (motors and transformer are UL recognized)
Controls	Hand control on PowerTilt; foot pedal on Face & Body

VINYL:

Ultra-Soft Touch	Lightly textured, super-soft PU vinyl, fabric backed
Vinyl colors	Almond, Camel, Black or White vinyl

OPTIONAL ACCESSORIES:

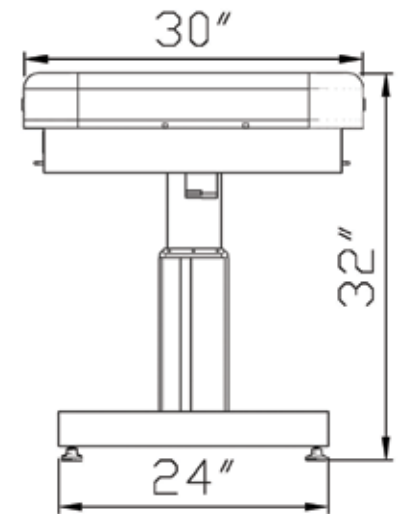
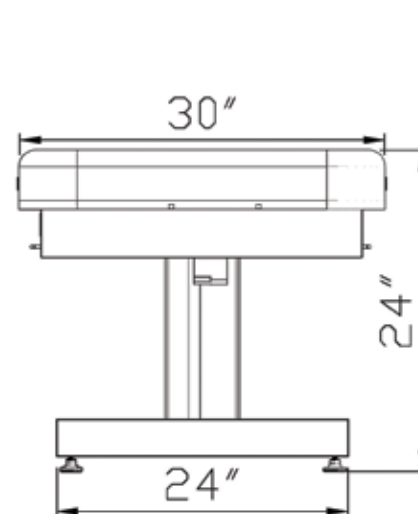
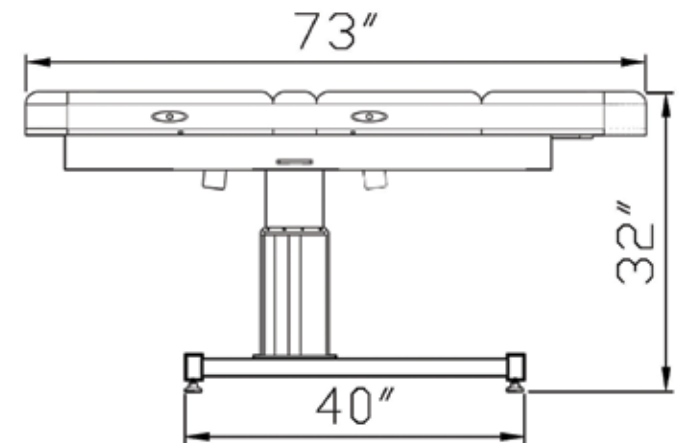
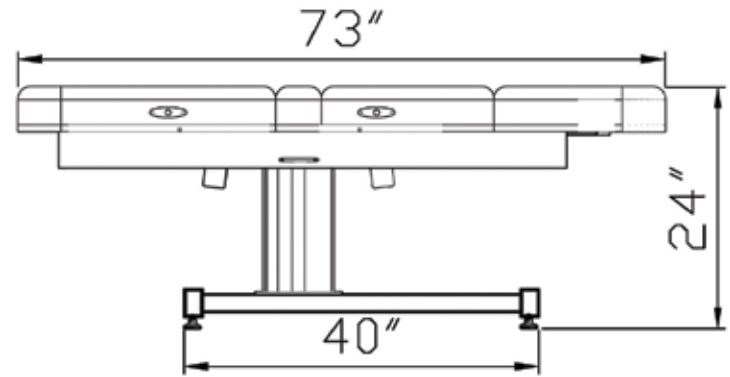
Sidearms	Flex Armrests
Face support	Contour FaceSpace
Foot extension	Salon Footrest or Full Footrest
Neck bolster	Facial Neck Bolster

GUARANTEES:

Structure	10 yrs. on replacement parts for frame/structure and 1 yr. on labor**
Motor & controls	2 yrs. on materials
Vinyl & foam	2 yrs. on materials
	**Labor warranty for USA customers only

WEIGHTS:

Table weight	210 lbs.
Shipping weight - boxed	275 lbs.
Shipping dimensions	83"L x 39"W x 37"H



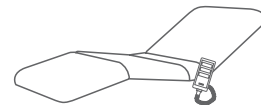
MOTORIZED TABLES



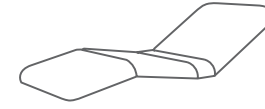
HiLo #112X0-XX



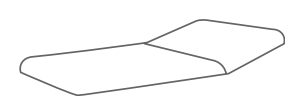
The ever-popular **HiLo** offers an impressive height range of 19"-34" and is ADA-compliant. Its substantial base of support makes it suitable for massage and many other treatments. HiLo Face & Body features an electric-lift base, operated by foot pedal, and a two-piece top w/ manual-lift back section. MultiPro version has an electric-lift base, operated by foot pedal, and manually-adjustable back & knee sections. HiLo PowerTilt is fully motorized and all adjustments are made with hand control.



POWERTILT TOP OPTION
#11250-XX



MULTIPRO TOP OPTION
#11240-XX



FACE & BODY TOP OPTION
#11220-XX

OPTIONS & ADD-ONS: Casters #41035
 Battery Option:
 Face & Body #11260 MultiPro #11270
 Bluetooth Remote:
 MultiPro #998-951 PowerTilt #998-950

STANDARD BASE COLOR:



WHITE POWDER COATED ALUMINUM
(Custom finishes available)

STANDARD VINYL COLORS:



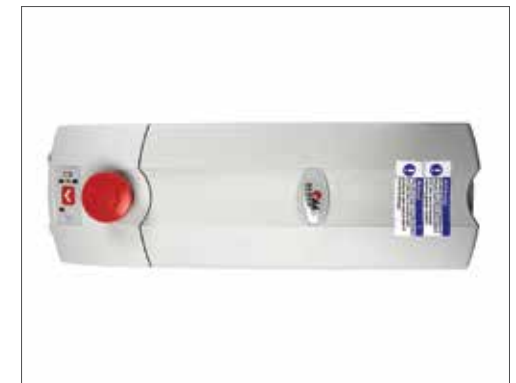
WHITE ALMOND CAMEL BLACK
(Custom colors available)



OPTION: Recessed locking casters provide mobility while adding only 1" to height.



Durable frame creates a sturdy, strong working surface for any bodywork modality.



Optional battery pack eliminates the need for a cord. Paired with casters, this table can be mobile.

TOP:

Top design	Four-piece adjustable top on PowerTilt and MultiPro; two-piece on Face & Body
Standard size top	30" x 73"
Foam	2" firm bottom layer + 1- 3/4" medium-density layer of urethane polymer
Polyester batting	1/2" fluffy polyester Dacron top layer
Frame	3/4" plywood frame reinforced for armrests and face cradle
Adjustments	Easy motorized adjustments of torso, knee, and upper body sections
Back tilt angle	0 to 60°
Knee tilt angle	0 to 30°

BASE & FRAME:

Carbon steel base	White powder coat finish with anodized aluminum center pedestal
8" leg recess	10" recess from ends of table
Height range - standard	19" - 34" (infinite motorized adjustment)
Weight capacity	Lifting weight capacity 375 lbs. Static weight capacity 800 lbs.

MOTORS & CONTROLS:

PowerTilt motors	One 24v DC, 5 amp max motor/actuator, UL recognized (powered through the same transformer as the top actuators)
Main lift mechanism	Two 24v DC, 5 amp max motor/actuators, powered through a 110v, 5 amp transformer (motors and transformer are UL recognized)
Controls	Hand control on PowerTilt; foot pedal on MultiPro and Face & Body

VINYL:

UltraSoft-Touch - standard	Lightly textured, super-soft PU vinyl, fabric backed
Vinyl color choices	Almond, Camel, Black or White vinyl

OPTIONAL ACCESSORIES:

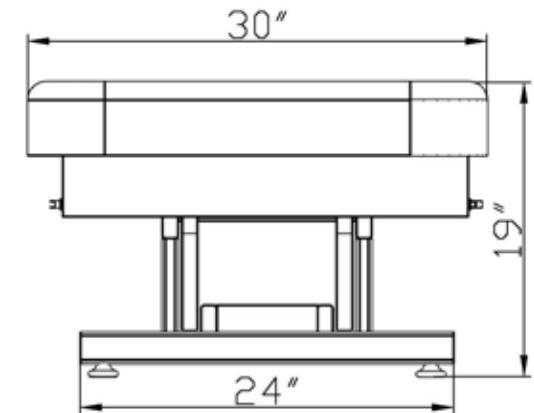
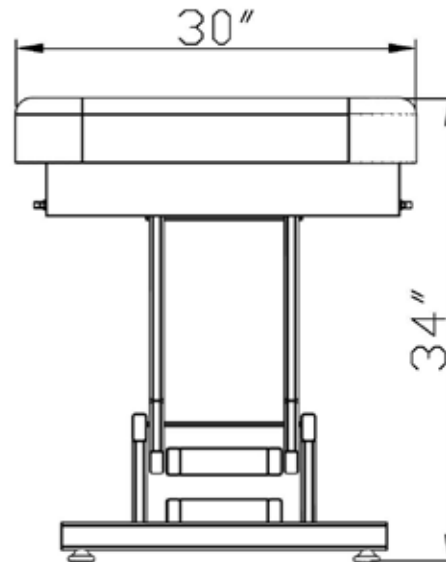
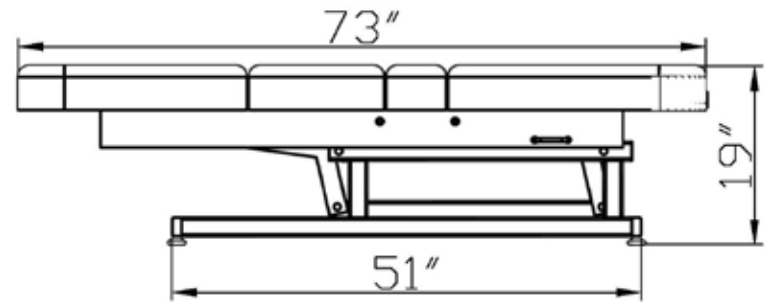
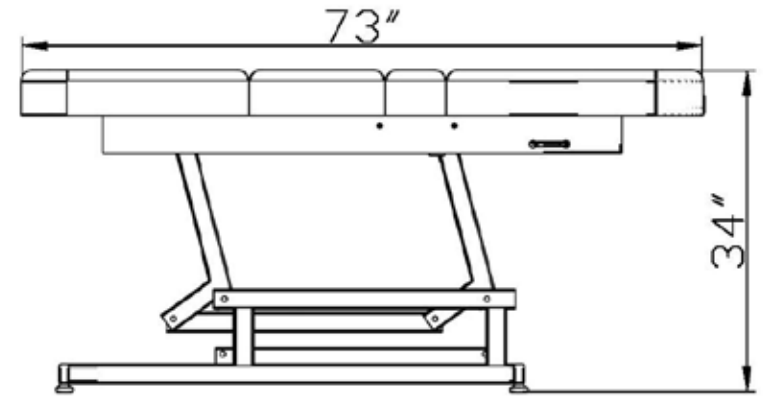
Armrests	Flex Armrests
Face support	Contour FaceSpace
Foot extension	Salon Footrest or Full Footrest
Neck bolster	Facial Neck Bolster

GUARANTEES:

Structure	10 yrs. on replacement parts for frame/structure and 1 yr. on labor**
Motor & controls	2 yrs. on materials
Vinyl & foam	2 yrs. on materials
	**Labor warranty for USA customers only

WEIGHTS:

Table weight	210 lbs.
Shipping weight - boxed	275 lbs.
Shipping dimensions	83"L x 39"W x 37"H



HAND-OPERATED TABLES

OLYMPUS #13010-XX



Shown with optional accessories.

The **Olympus Flat Top** offers a motorized lift for massage and bodywork. Using a combination of manual and electric height adjustments, the Olympus provides the greatest height range in the industry, and is fully ADA compliant.

STANDARD BASE COLOR:



MAPLE

(Custom finishes available)

STANDARD VINYL COLORS:



WHITE



ALMOND



CAMEL



BLACK

(Custom colors available)

OPTIONS & ADD-ONS: Extra Foot Pedal Option 98-79011
Olympus Shelf Upgrade 13010-SHELF



Custom salon top with manually adjustable knee and back available with an extended lead time.



Optional shelf upgrade



Custom low leg option available.

TOP:

Top design	One-piece upholstered top, rounded corners, three-layer foam
Foam	3" triple-wrap
Upholstered top	30" width x 73" length x 6" total thickness of top + frame
Leg frame	20.5" width x 56.5" length x 5" thickness

BASE:

Outside leg spacing	26" width x 56" length
Inside leg spacing	21" width x 51" length
Base materials	Maple legs with 3/4" veneer/plywood frame
Motorized lift	Two, powder-coated carbon steel lift arms
Adjustable leg extension	1/4" leg bolts w/ 2 knobs, 11 holes, felt spacers, 2 rubber bumpers per leg
Height range	19" to 41" Double adjustable: 10" manual (ext. legs) plus 12" electric lift
Leg recess	4" recess on sides, 12" recess from head section

MOTORS & CONTROLS:

Lift mechanism	24V DC Linear actuator with AC control box / transformer, UL recognized
Power consumption	4 to 5 amps
Control	Foot pedal; 2nd foot pedal w/ Y-cable available
220-volt model (international)	Optional
Lifting weight	Lifting weight capacity 350 lbs.
Weight capacity	Static weight capacity 500 lbs.

VINYL:

UltraSoft-Touch	Lightly textured, super-soft PU vinyl, fabric backed
Vinyl colors	Almond, White, Black or Camel

OPTIONAL ACCESSORIES:

Face support	Contour FaceSpace for prone massage (sold separately)
Foot extension	Salon Footrest or Full Footrest

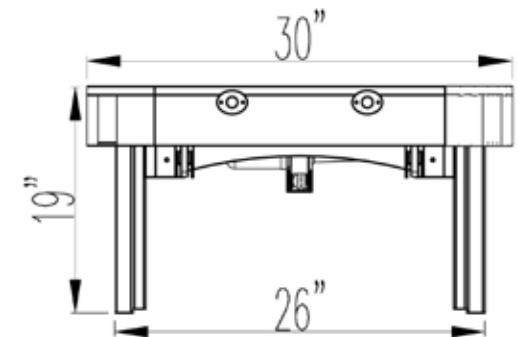
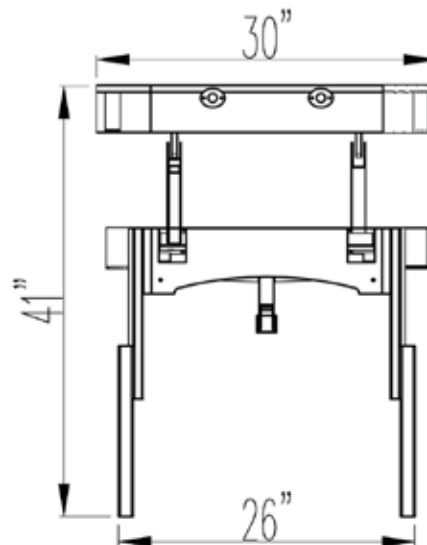
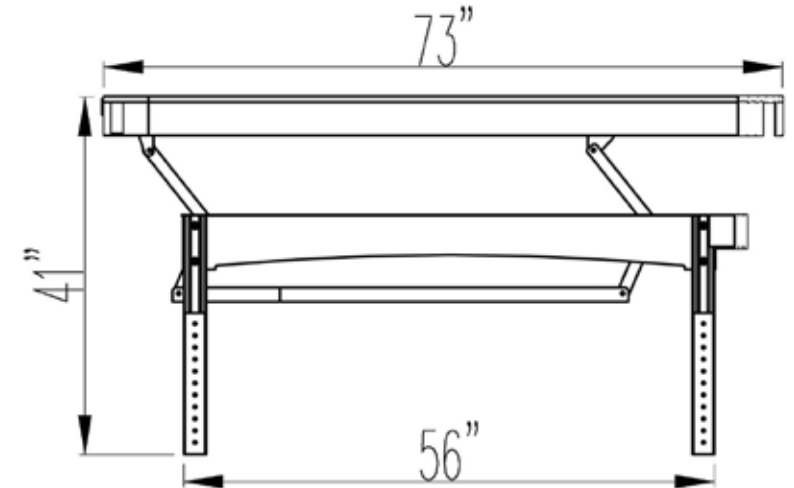
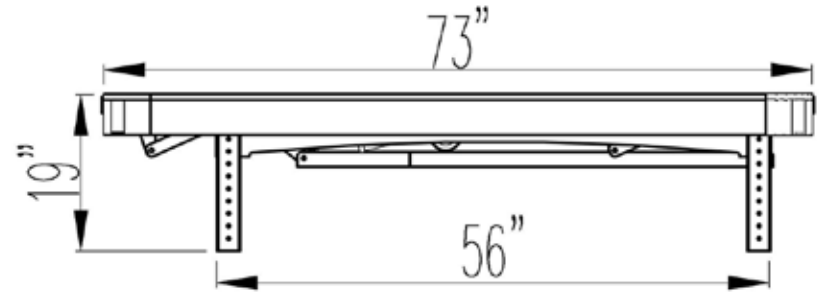
GUARANTEES:

Structure	5 yrs. on replacement parts and 1 yr. on labor**
Vinyl & foam	2 yrs. on materials
Mechanical/electrical	2 yrs. on materials
Optional wood shelf	1 yr. on materials

**Labor warranty for customers in USA only

WEIGHTS:

Weight	125 lbs.
Shipping weight	175 lbs.



HAND-OPERATED TABLES

SONDI #14610-50



The economical **SONDI** Treatment Table can be used for any spa treatment with a stainless steel manual lift mechanism that adjusts sections for zero gravity positioning, or facials and massage. The legs are manually adjustable for the technician's comfort, and the table comes with detachable armrests and adjustable face cradle. Doors that slide open from either side make it easy to grab your tools, towels, and products, and keep them neatly out of sight. The base is crafted of solid beech wood with a comfortable 3" thick 40 density foam top. The beautiful dolphin-gray leatherette upholstery is soft and easy to clean. The SOND I is a versatile, affordable table with great features for any menu treatment!

STANDARD BASE COLOR:



BIRCH CABINET,
SYCAMORE
FRAME with
CLEAR PU

STANDARD VINYL COLOR:



DOLPHIN



Sturdy manual adjustable back and knee section



Manually-adjustable leg height



Detachable armrests

TOP:

Top design	31" x 78" Four-piece adjustable top on MultiPro 3/4" plywood reinforced for armrests and face support
Foam	.75" firm bottom layer + 2" soft layer + .4" medium-density top
Back tilt angle	0 to 32°
Leg tilt angle	0 to 24°
Top adjustment mechanism	stainless steel manual lift mechanism

BASE & FRAME:

Frame	Solid Sycamore legs and structure
Height range	25" to 29" with 8 height adjustment options
Standard Cabinet	Interior 12"H x 58"L w/ sliding birch doors
Weight capacity	550 Static, 385 Dynamic

UPHOLSTERY:

Type	Lightly textured PU vinyl
Color	Dolphin Grey

ACCESSORIES:

Armrests	w/purchase of table
Face support	w/purchase of table

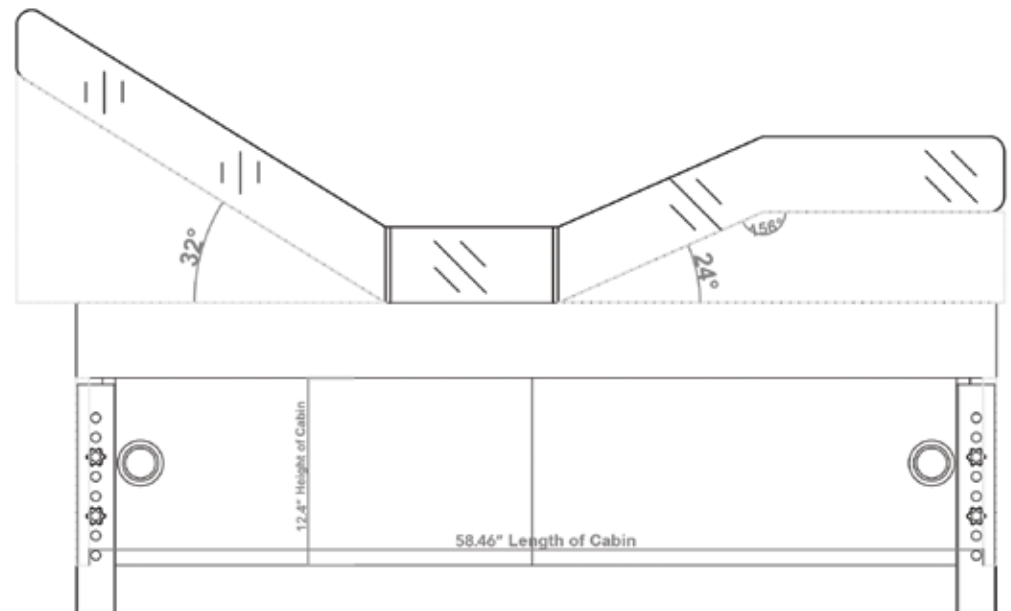
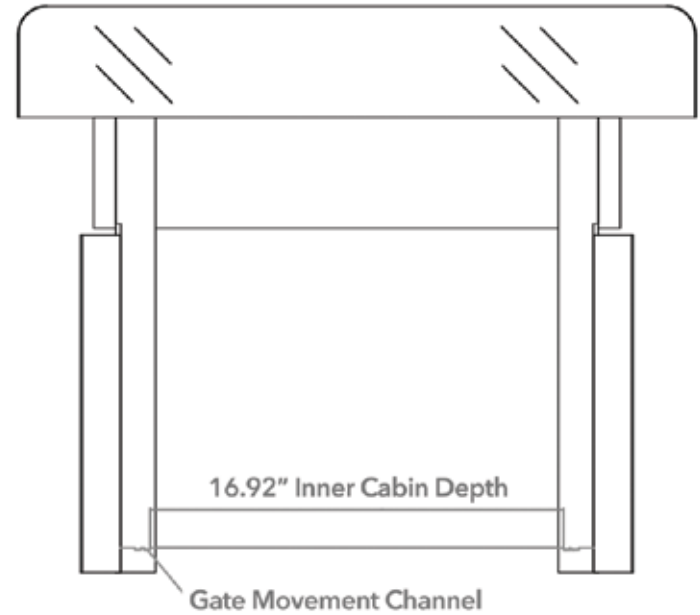
GUARANTEES:

Structure	10 years
Vinyl & foam	1 year. Use lukewarm water and mild soap to clean the vinyl no harsh chemicals or alcohol-based sanitisers. Fire-retardant grade, lead and cadmium-free semi-PU vinyl.
Motor & controls	2 years
Labor	1 year **Labor warranty for customers in USA only **

WEIGHTS:

Table weight	154 lbs.
Shipping weight	190 lbs
boxed Shipping dimensions	83" x 39" x 37"

**There are more specs available for this table.
View and download [HERE](#).**



HAND-OPERATED TABLES

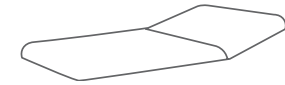


STATIONARY #115XO-XX

One of our most popular tables for value, durability and versatility, the **Stationary Table** has a solid maple base with an open storage shelf. Two-piece Face & Body has manually-adjustable back section while MultiPro offers articulating back & knee sections. This is a non-motorized workhorse of a table that will earn its keep in no time.



MULTIPRO TOP OPTION
#11540-XX



FACE & BODY TOP OPTION
#11520-XX

STANDARD BASE COLOR:



MAPLE

(Custom finishes available)

STANDARD VINYL COLORS:



WHITE



ALMOND



CAMEL



BLACK

(Custom colors available)

OPTIONS & ADD-ONS: Hardwood Cabinet 41015-00



OPTION: Cabinet can be added for neat, convenient storage.



Manual top adjustment operated by our TiltMech system.



Adjustable solid maple legs are extremely durable.

TOP:

Top design	Four-piece adjustable top on MultiPro; two-piece top on Face & Body
Standard size top	30" x 73"
Foam	2" firm bottom layer + 1- 3/4" medium-density layer of urethane polymer
Polyester batting	1/2" fluffy polyester Dacron top layer
Frame	3/4" plywood frame reinforced for armrests and face support
Back tilt angle	0 to 80°
Knee tilt angle	0 to 30°
Top adjustment mechanism	Manual tilt lever/pole adjustment

BASE & FRAME:

Solid Maple Legs	Easy-to-use manual knob and peg height adjustment
Leg recess	9" recess from ends of table
Height range - standard	24" - 33" 9 positions
Shelf	Maple veneer shelf with hardwood frame
Capacity	Static weight capacity 1000 lbs.
Cabinet	Optional hardwood cabinet in Maple

VINYL:

UltraSoft-Touch	Lightly textured, super-soft PU vinyl, fabric backed
Vinyl colors	Almond, Camel, Black or White

OPTIONAL ACCESSORIES:

Armrests	Flex Armrests
Face support	Contour FaceSpace w/ Pillow
Foot extension	Salon Footrest or Full Footrest
Neck bolster	Facial Neck Bolster

GUARANTEES:

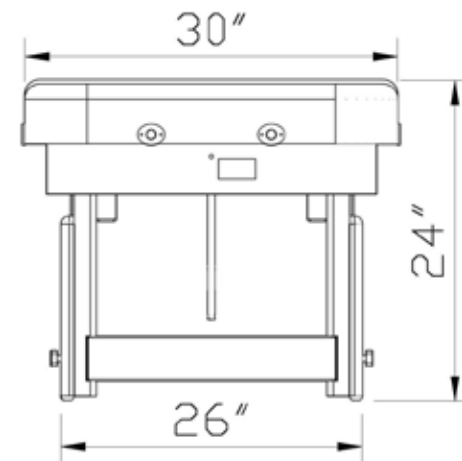
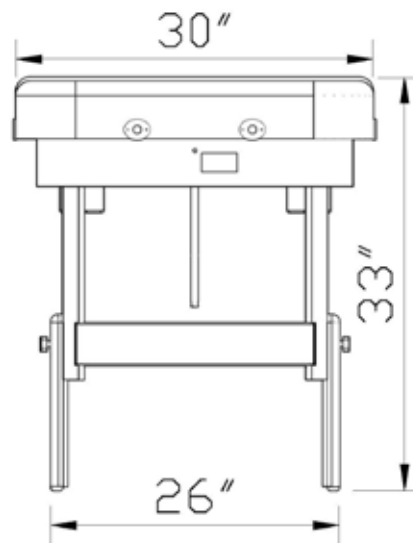
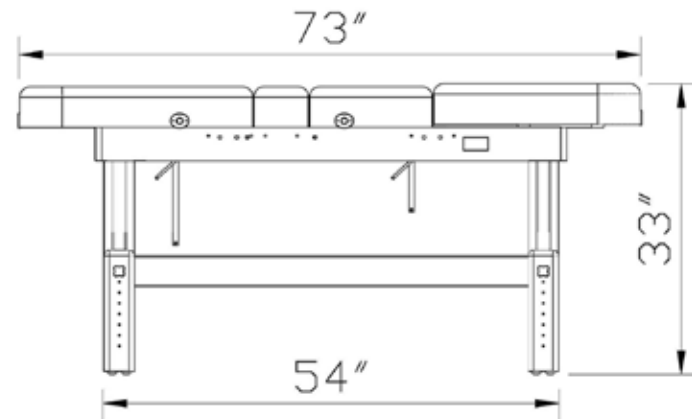
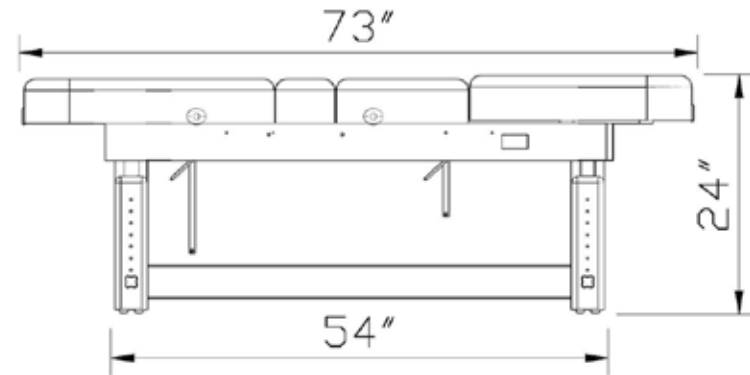
Structure	10 yrs. on replacement parts for frame/structure and 1 yr. la
Vinyl & foam	2 yrs. on materials
Wood & veneer	Warranted for 1 yr.
	**Labor warranty for customers in USA only

WEIGHTS:

Table weight	175 lbs.
Shipping weight - boxed	250 lbs.
Shipping dimensions	83" x 39" x 37"



MOTORS & CONTROLS





PORTABLE TABLES & CHAIRS



Portability allows for treatments anywhere, from the client's home to a tropical beach or a mountainside perch. The treatment becomes more experiential for the client, and the versatility of moveable equipment expands revenue possibilities.



mobile touch



MOBILE TOUCH PORTABLE

100% of the wood used to make the Mobile Touch is FSC certified to protect our planet and it is built to last well into the future. Designed for ease of use and easy transport, it is also comfortable and has features often found in more expensive tables, including 100% FSC hardwood construction and constructed in a FSC certified factory, super-low VOC water-based finish, dual soft-grip adjustable leg knobs for stability, Reiki end panels both ends of the table for therapist comfort, 2 1/2" CFC Free cushion, and auto-lock leg and brace system for easy and safe set-up. Upholstery is Ultra SoftTouch Vinyl for durable, non-slip and supple surface. Headrest holes at both ends of the table.

STANDARD BASE COLOR:



MAPLE

STANDARD VINYL COLORS:



PEBBLE



SLATE

OPTIONS & ADD-ONS: Portable MultiPro Travel Bag #41002-06 5 lbs.



The ability to be folded up provides versatility and easy storage.



Quick-open Center Lock leg system



Optional travel bag available.

DESIGN:

Top design	Two-piece, folding, three-layer foam
Standard size	30" x 73"
Foam	3/4" firm bottom, 1- 3/4" medium-density middle, urethane polymer
Polyester batting	1/2" fluffy polyester Dacron top layer
Frame	3/4" x 1-3/4" wood rails, 3/16" plywood top, wood blocks

LEGS:

Leg system	Quick-open Center Lock leg system (no pins-uses nylon fittings to connect parts)
Height range - standard	26" to 34", 9 positions
Leg recess	4" recess from ends of table
Hi-low end plates	Allows for extra leg room at one end
Low end plate position	15" knee space between bottom plate and lower table edge
High end plate position	8" from the table top to the lower plate edge
Pocketed leg blocks	Adds superior load-bearing capacity
Leg room - width (30" table)	21.75" inside distance between legs at end of table
CenterLock legs	1" x 1-3/8" maple legs, 3/4" diameter wood dowels
Cables	3/32" OD steel 49-wire cable, PVC-coated (1/8" O.D.)
Cable end crimps	Tested to over 1500 lbs. pull

VINYL:

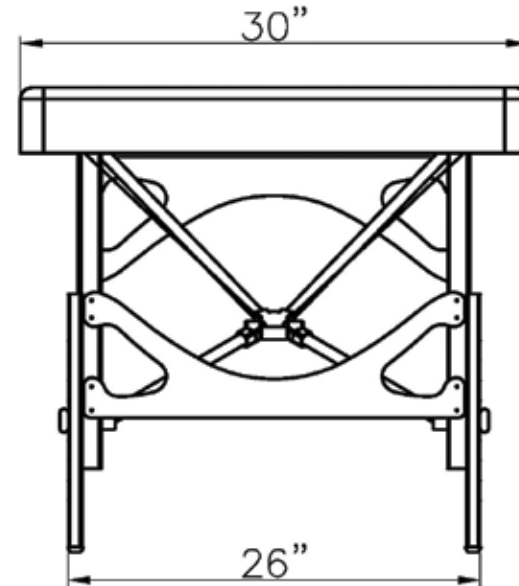
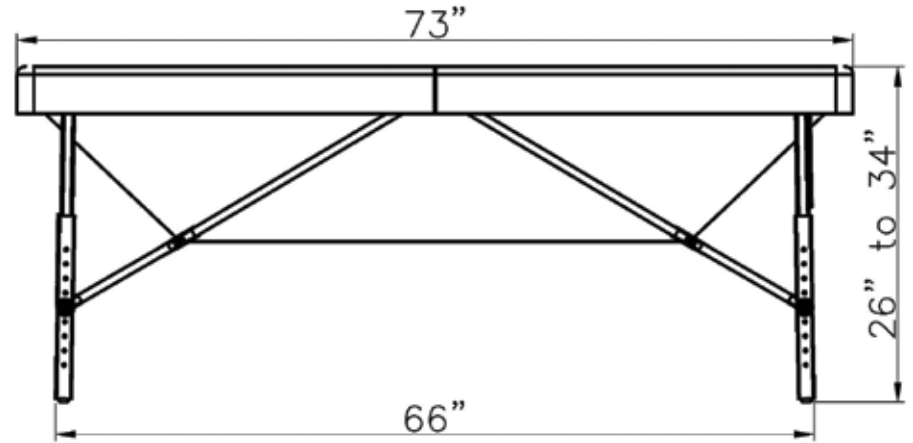
UltraSoft-Touch	Lightly textured, super-soft PU vinyl
Vinyl colors	Almond (shown) & black vinyl standard; allow 12-15 weeks for Camel or White

GUARANTEES:

Structure	5 yrs. on replacement parts for frame/structure
Foam & vinyl	2 yrs. on materials

WEIGHTS:

Weight 30" x 73"	35 lbs.
Shipping weight - boxed	45 lbs.





Versatile in design and purpose, the **Portable MultiPro** table is completely at home in the massage, facial or multi-purpose spa room. The manually-adjustable back/knee sections can be positioned to maximize client comfort, while ensuring stress-free access for the therapist. A rare combination of adjustable top and petite-sized, foldup table. Add optional accessories to extend table size. Please note that this table weighs 55 lbs. and a rolling dolly may be required to transport it. Shown with optional Salon Headrest.

STANDARD BASE COLOR:



MAPLE

(Custom finishes available)

STANDARD VINYL COLOR:



ALMOND

(Custom colors available)

OPTIONS & ADD-ONS: Portable MultiPro Travel Bag #41002-06 5 lbs.



The ability to be folded up provides versatility and easy storage.



Manually adjustable back and knee sections plus optional add ons make it possible to perform a multitude of services.



Optional travel bag available.

DESIGN:

TOP:

Top design	Adjustable, folding, round corners, 3-layer foam
Standard size	26" x 66"
Foam	3/4" firm bottom, 1- 3/4" medium-density middle, urethane polymer
Polyester batting	1/2" fluffy polyester Dacron top layer
Frame	3/4" x 1-3/4" wood rails, 3/16" plywood top, wood blocks

BASE & FRAME:

Height range - standard	24"-32"
4" leg recess	4" recess from ends of table

Cables	3/32" steel (49 wires) PVC-coated (1/8" O.D.)
Cable end crimps	Tested to over 1500 lbs. pull

VINYL: Ultra Soft Touch - standard, Lightly textured, Super Soft Urethane vinyl, fabric backed, environmentally friendly

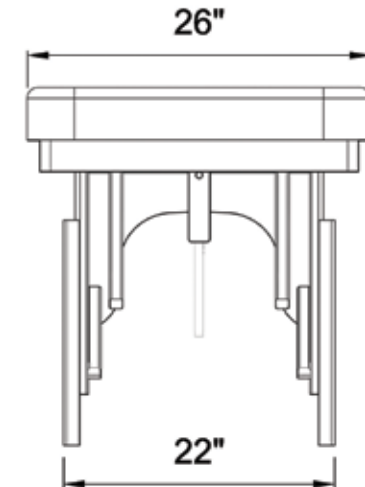
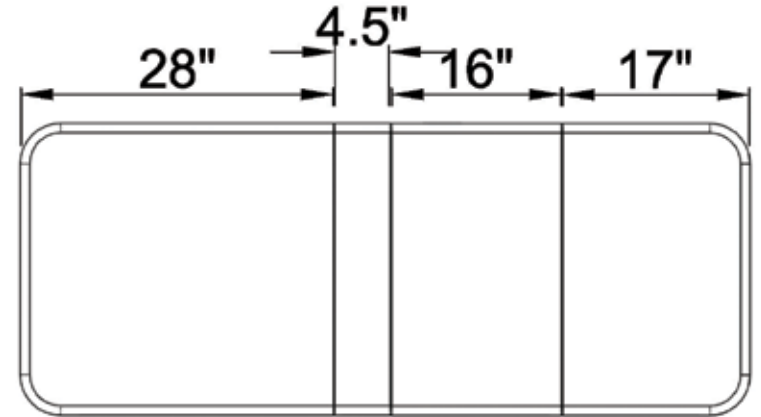
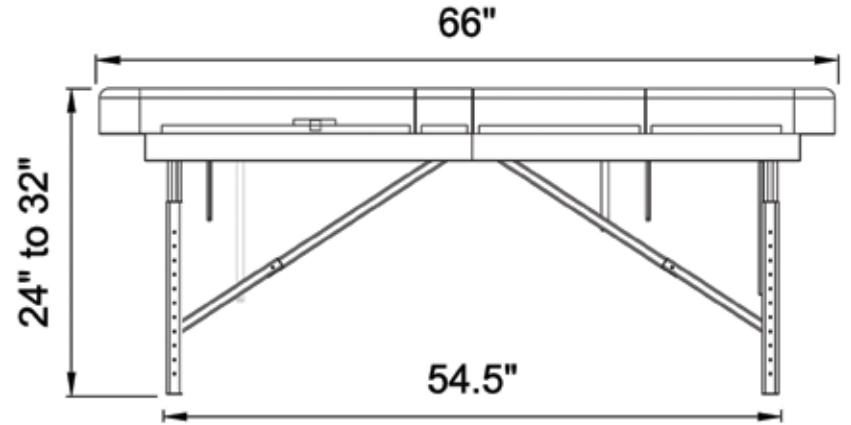
OPTIONAL ACCESSORIES; Contour FaceSpace
Flex armrests
Footrest
Full footrest

GUARANTEES:

Structure	5 yrs on parts
Foam & Vinyl	Guaranteed for 2 years on materials

WEIGHTS:

Weight:	55 lbs.
Shipping weight - boxed	110 lbs. on pallet
Shipping Dimensions:	48" L x 40" W x 33"





QUICKLITE MASSAGE CHAIR

#31006-XX

TouchAmerica's **QuickLite Massage Chair** is the most innovative and structurally-stable massage chair available today, featuring a one-piece integrated design that can be adjusted without removing any parts. The QuickLite now incorporates TouchAmerica's own Contour FaceSpace. The seat, armrest, chest pillow, and head support are fully adjustable for maximum comfort.

STANDARD BASE COLOR:

CHARCOAL VEIN

ANODIZED ALUMINUM
1" WELDED

STANDARD VINYL COLORS:



OPTIONS & ADD-ONS: QuickLite Travel Bag #43003-06 5 lbs.
QuickLite Package (Chair + Bag) #83001-XX 32 lbs.



At 23 pounds, the QuickLite is easy to carry.



OPTION: Travel bag made of thick nylon keeps the chair protected during transit.



Adjustability offers ergonomic solution for both the therapist and client.

DESIGN:

5-piece folding
 Frame
 Finish
 Feet
 Base size - opened
 Carrying strap
 Height range
 Face support

Folds to 10.5" x 42" tall x 18" wide
 Anodized aluminum 1" square tubing, welded
 Baked powder-coating, Charcoal Vein color
 Domed black plastic
 Leg width 18" (under armrest), 12" (under seat), 24.5" front to back
 Removable 2" wide adjustable black nylon strap
 38" to 48", depends on face support bar and seat positions
 Contour FaceSpace w/ Pillow included

PADDED COMPONENTS:

Foam
 Polyester batting
 Seat pad size - 2.75" thick
 Chest pad size - 2.75" thick
 Armrest pad size - 2" thick
 Kneepad size - 2" thick

Seat height - 3 positions
 Armrest height - 3 position
 Chest adjustment
 Head support adjustment

Polyether-base urethane polymer
 1/2" fluffy polyester Dacron top layer
 9.5" x 14" (3/8" ply base), 2" thick medium density foam
 12.5" x 9.5" (3/8" ply base), 2" thick medium density foam
 18" x 7.5" (3/8" ply base), 1.5" thick firm foam
 2 pads-18.5" long, width tapers from 6.5"-4.5" (3/8" ply base),
 1.5" thick firm foam
 19.5" to 21.5" - measured from seat center
 25.5" to 27"
 5" travel up and down
 8" travel up and down

VINYL:

UltraSoft-Touch
 Colors

Lightly textured, super-soft PU vinyl, fabric backed
 Black, White, Camel or Almond PU Vinyl

GUARANTEES:

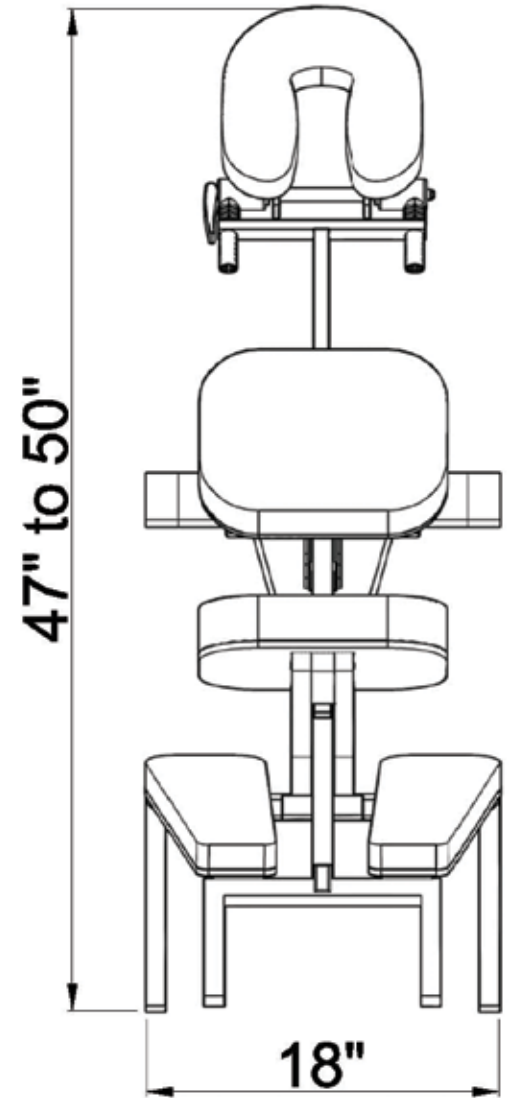
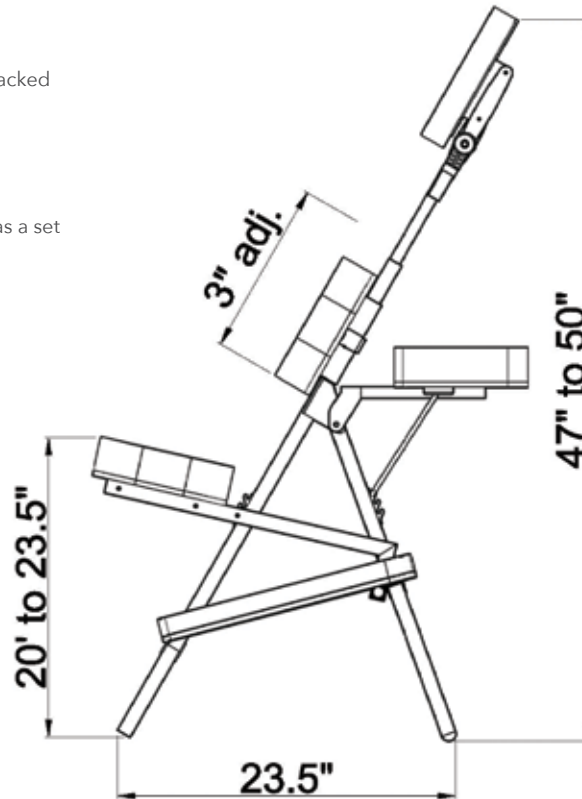
Structure
 Foam & vinyl

5 yrs.
 2 yrs. on materials; replacement pads avail. as a set

WEIGHTS:

Weight
 Shipping weight-boxed
 Weight capacity
 Package Price Includes:

23 lbs.
 35 lbs. Boxed dimensions 41" x 22" x 13"
 325 lbs.
 Travel Bag
 (38"L x 18"H x 6-1/2"W -
 outside measurements of bag)



PORTABLE TABLES & CHAIRS

EVERI-BODY PORTABLE #12003-XX



TouchAmerica's **Everi-Body Portable** is a confluence of style and function, sure to please professional massage therapists. It combines renowned comfort and solid engineering with the CenterLock Leg System. This innovative leg design provides superb stability through the power of triangulation almond or Black. Face cradle included. Travel bag sold separately.

STANDARD BASE COLOR:



MAPLE

(Custom finishes available)

STANDARD VINYL COLORS:



WHITE



ALMOND



CAMEL



BLACK

(Custom colors available)

OPTIONS & ADD-ONS: MBW Portable Travel Bag #41001-07 5 lbs.



CenterLock
Base Design

Set up/take down easy while giving ample leg room for therapist



OPTION: Travel bag made of thick heavy duty canvas



Fully adjustable face cradle comes standard with table.

DESIGN:

Top design	Two-piece, folding, round corners, three-layer foam
Standard size	30" x 73"
Foam	3/4" firm bottom, 1- 3/4" medium-density middle, urethane polymer
Polyester batting	1/2" fluffy polyester Dacron top layer
Frame	3/4" x 1-3/4" wood rails, 3/16" plywood top, wood blocks

LEGS:

Leg system	Quick-open CenterLock leg system (no pins-uses nylon fittings to connect parts)
Height range - standard	26" to 34", 9 positions
Leg recess	4" recess from ends of table
Hi-low end plates	Allows for extra leg room at one end
Low end plate position	15" knee space between bottom plate and lower table edge
High end plate position	8" from the table top to the lower plate edge
Pocketed leg blocks	Adds superior load-bearing capacity
Leg room - width (30" table)	21.75" inside distance between legs at end of table
CenterLock legs	1" x 1-3/8" maple legs, 3/4" diameter wood dowels
Cables	3/32" OD steel 49-wire cable, PVC-coated (1/8" O.D.)
Cable end crimps	Tested to over 1500 lbs. pull

VINYL:

UltraSoft-Touch	Lightly textured, super-soft PU vinyl
Vinyl colors	Almond (shown) & black vinyl standard; allow 12-15 weeks for Camel or White

GUARANTEES:

Structure	5 yrs. on replacement parts for frame/structure
Foam & vinyl	2 yrs. on materials

WEIGHTS:

Weight 30" x 73"	35 lbs.
Shipping weight - boxed	45 lbs.

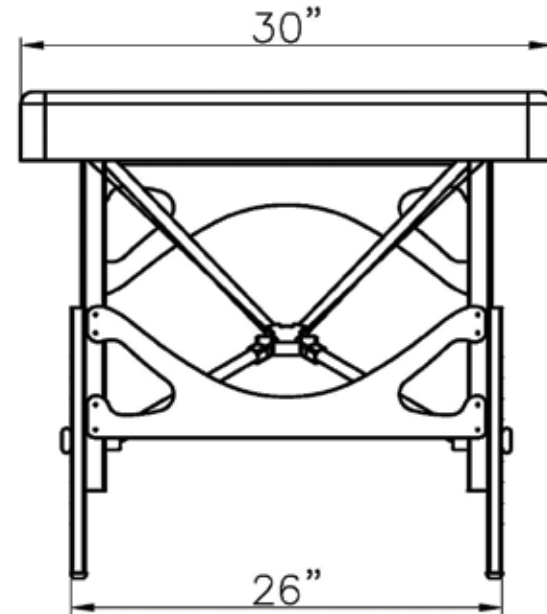
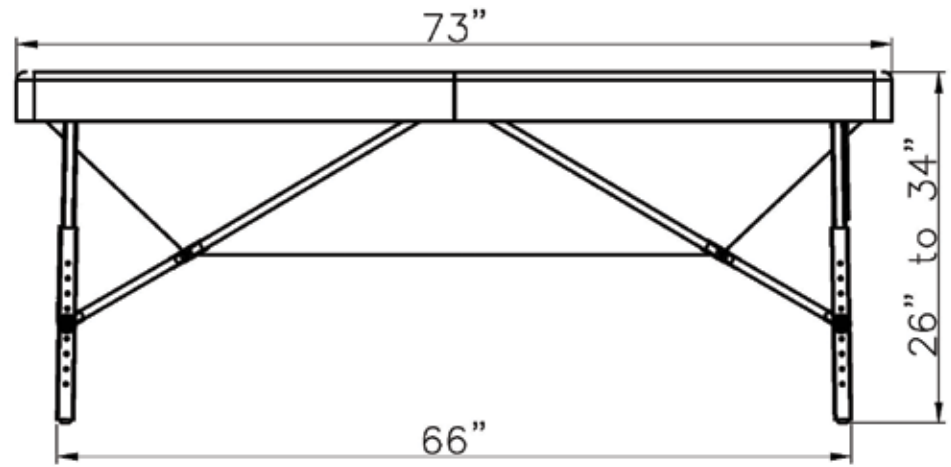
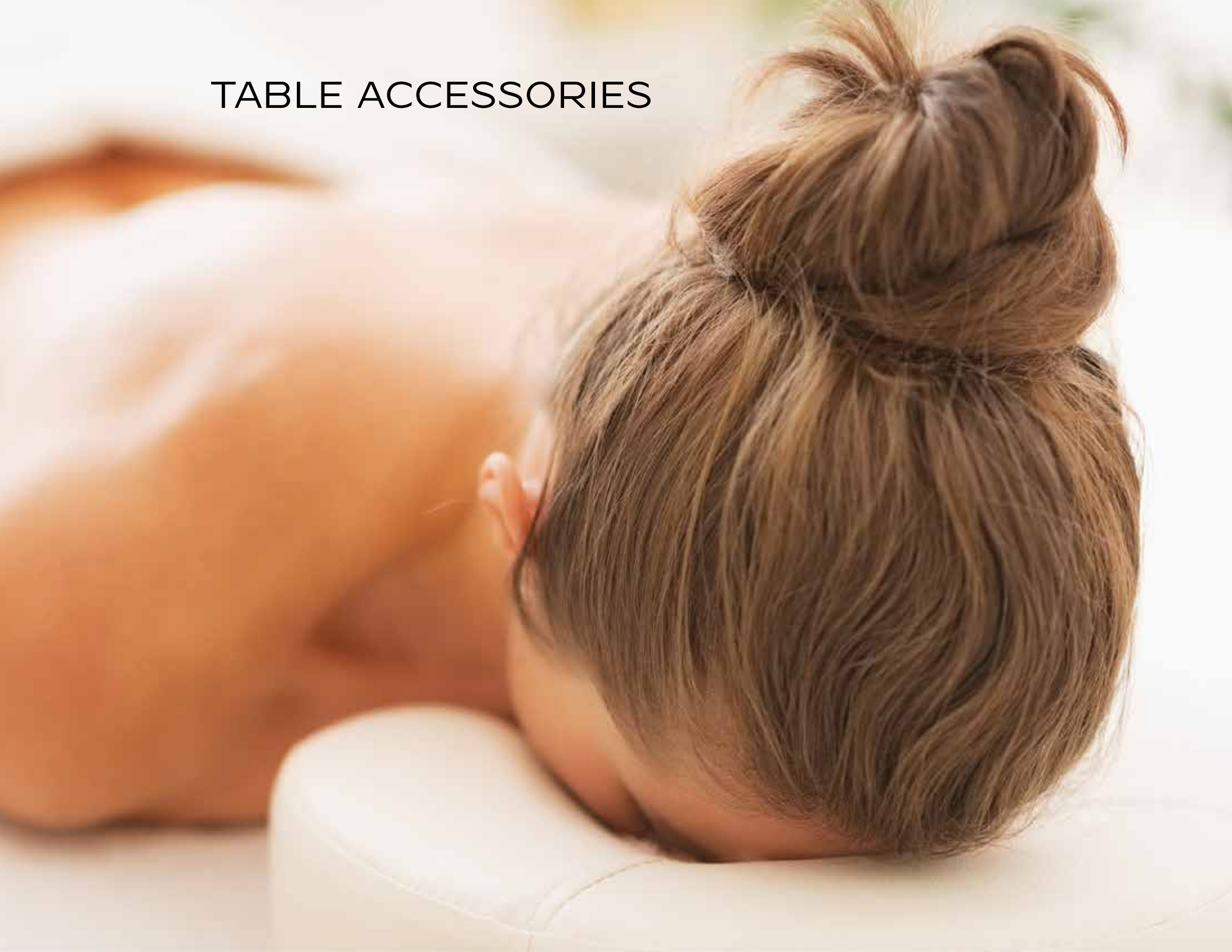


TABLE ACCESSORIES





Convenient and efficient accessories make a great table even better, and give both the client and the technician a more pleasant and comfortable treatment experience. We have kept versatility and functionality in mind when developing our table accessories, and in real-time use, they are indispensable.

TABLE ACCESSORIES



All weights listed are shipping weights.



3/4" diameter
plastic rods

Contour FaceSpace (shown with pillow)

Black, heavy-duty plastic frame w/ **3/4" plastic rods**. Fits current TouchAmerica and most older Golden Ratio tables w/ 9-1/2" spacing between rods. #41084-XX 7 lbs
Without pillow #41084 4 lbs.



5/16" diameter
metal rods

Original FaceSpace (shown with pillow)

Black, heavy-duty plastic frame w/ **pencil-thin 5/16" metal rods**. Fits older TouchAmerica tables with 7-1/4" spacing between rods. #41014-XX 7 lbs
Without pillow #41014 4 lbs.



Face Cradle Pillow

Our newly designed face cradle pillow has a beveled interior edge which supports the head while helping to open your client's nasal passages. #41017 3 lbs.



Salon Headrest/Footrest

Salon headrest can also be used as a footrest. Adds 6" of length to either end of your table. 15" wide with rectangular shape. #41307 5 lbs.



Facial Neck Bolster

The Facial Neck Bolster has a Velcro flap to secure to table. 10"H x 10"W x 3" thick under the neck x 1" thick under the back-of-head. #41022 3 lbs.



Flex Armrests

Upholstered armrests flex when back section is raised and lay flat when table top is lowered to flat position. #41005 10 lbs.

TABLE ACCESSORIES



All weights listed are shipping weights.



Swing-Away Arms with Manicure Trays

These manicure armrests stay level as the back section of your table is adjusted. A flat plastic tray holds a ceramic soaking bowl. A second platform slides over the bowl. Table orders that include these armrests will have the necessary hardware installed. #41306 15 lbs.



Bolsters

Round Cylinder (27" x 6") #41018 7 lbs.
 3/4 Round Flat Bottom (27" x 6") #41023 6 lbs.
 Half Cylinder (27" x 3") #41019 5 lbs.
 Cervical / Lumber Roll (10" x 4") #41021 3 lbs.
 Facial Neck Bolster (10" x 3") #41022 3 lbs.



Hanging Armrest Shelf

Removable shelf hangs under existing face cradle to allow comfort for clients and greater access to shoulder region for therapists. Attaches with black Velcro straps. Free-swinging movement. Contact us for Installation Instructions before ordering. If ordered at time of table purchase, we will install the shelf at no charge. #41007 10 lbs.



Paper Rolls & Hangers

Paper Roll Hanger #49002 5 lbs.
 Paper Rolls (1 roll - 21" x 225') #54006-6501 4 lbs.
 Paper Rolls (6 rolls) #54006-6506 12 lbs.



Full Footrest (10" x 24")

Full Footrest adds 10" to your table and more comfort for your clients. 24" wide with rounded corners. Can also be used as a headrest for back-of-head. #41301 6 lbs.



High End Accessory Package

Includes Contour FaceSpace w/ Pillow for face-down treatments and Flex Armrests (pair). Also includes the Head/Neckrest, a two-piece accessory that consists of the Salon Headrest/ Footrest and Facial Neck Bolster. #13521 25 lbs.

A close-up, low-angle shot of a person's legs from the knees down, standing in clear, blue water. The water is splashing around the ankles, creating white foam and ripples. The lighting is bright, highlighting the texture of the water and the skin. The overall mood is serene and therapeutic.

HYDROTHERAPY



Every treatment involving water offers a more complete and memorable spa experience. Our Vichy Showers and wet room equipment are carefully designed for performance, comfort, water conservation and hygiene. There is an option for every space, with features to minimize clean-up and maximize safety.

VICHY PACKAGE

Fully equip your wet room to save time and money! **The Vichy Package** includes your choice of motorized or stationary Neptune Wet Table w/ Closed-Cell Foam Pad, 8-Head Vichy Shower w/ Handheld Shower, Contour Facespace w/ Neptune Pillow, Wet Spa Bolster, Non-Slip Floor Mat and Massage Top Converter (padded vinyl top for dry treatments.) Contact us for plumbing specs.

OPTIONS & ADD-ONS: Battery Table Package #82005
 Stationary Table Package #82030
 72" Rainbar, Standard, Only #22003-0100
 96" Rainbar, Extended, Only #22003-0200



NEPTUNE STATIONARY TABLE



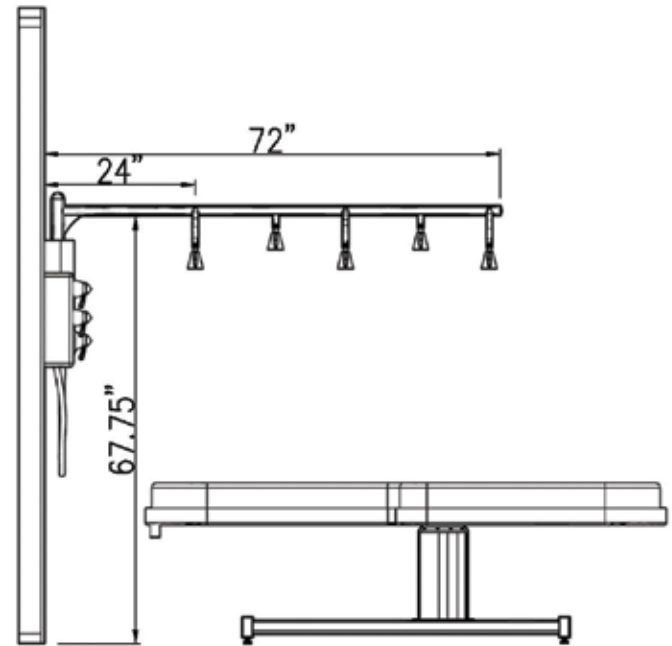
NEPTUNE BATTERY TABLE

RAINBAR: Stainless steel tube with 8 showerheads, 72" long standard, 96" optional
 Rotates 80° each direction from wall mount
 Individual shut-offs for each showerhead
 Showerhead spray pattern adjustment
 Metal showerheads
 Acrylic wall mount cover

VALVE AND CONTROLS: 3/4" Thermostatic mixing valve
 Water temperature thermometer
 Handheld shower with 79" hose
 Individual volume control valve for rainbar and handheld shower
 Acrylic valve box cover
 3/4" flexible supply hose from valve to rainbar

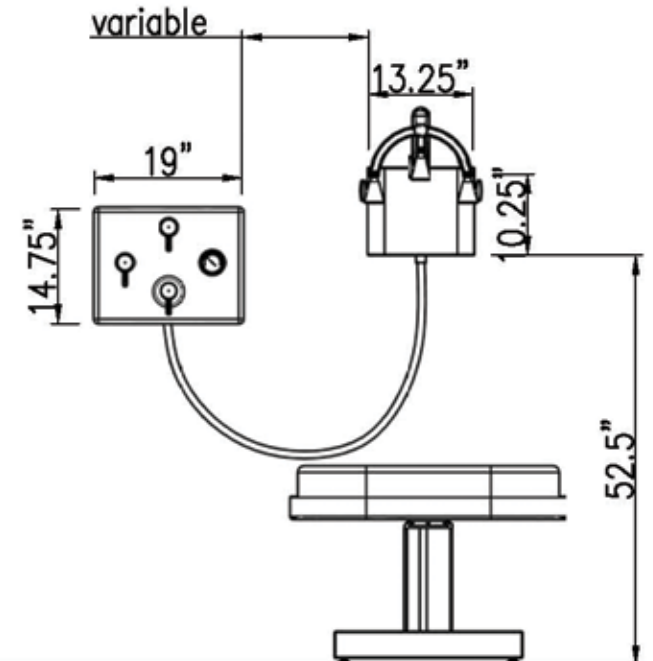
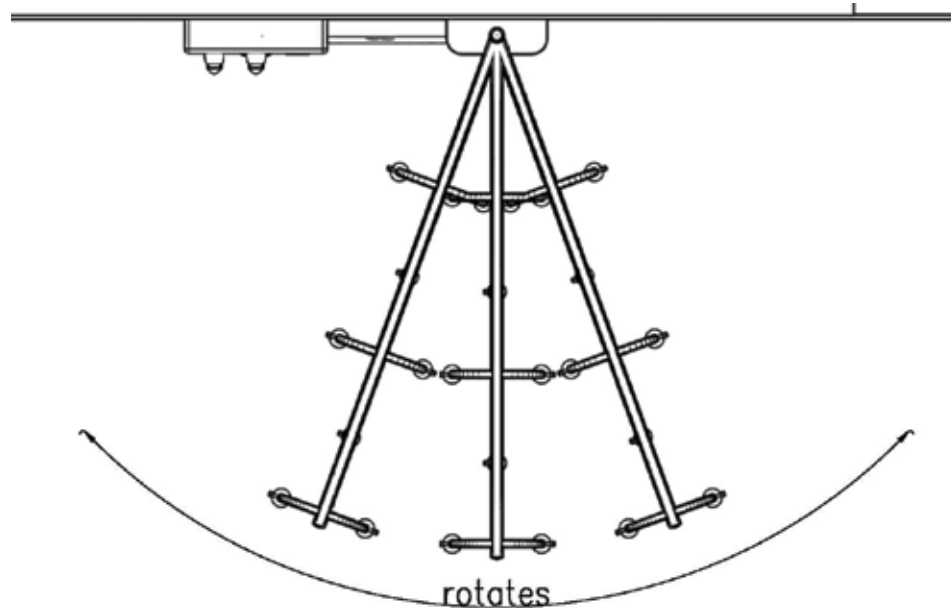
GUARANTEES:
 Structure 2 yrs. on replacement parts for frame/structure and 1 yr. on labor
 Plumbing Parts 2 yrs. on replacement plumbing parts

WEIGHTS:
 Weight 115 lbs.
 Shipping weight - boxed 145 lbs.
 Shipping dimensions 48"L x 41"W x 85" H



MOTORS & CONTROLS

Specs listed above apply to Vichy shower only.



NEPTUNE WET TABLE



The **Neptune Wet Table** has a seamless, molded-acrylic top, perfect for hydrotherapy treatments. The table is contoured with a wider torso section to keep clients comfortable, and to allow easier access for therapists. A generous trough-and-drain-system surrounds the work surface, and keeps wash-off away from the client. Operated by hand control, the Neptune Wet Table comes with battery, charger and removable Closed-Cell Foam Pad. Also available as a stationary table.

Battery Neptune Table #21305
 Stationary Neptune Table #21302

STANDARD BASE COLOR:



WHITE POWDER COATED STEEL

(Custom finishes available)

STANDARD VINYL COLORS:

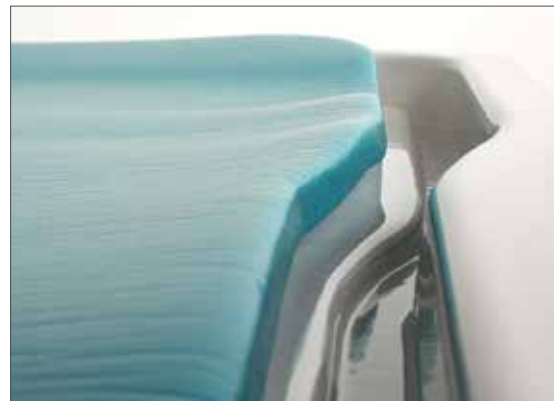


TEAL CLOSED-CELL WET FOAM PAD

OPTIONS & ADD-ONS: Massage Top Converter #42005-XX



An optional Converter Top with padding turns your wet table into a comfortable dry massage table.



Contoured acrylic top moves excess water away from client.



Flexible hose directs water towards floor drain, creating less mess and clean up.

TOP:

Top design Acrylic shell with built-in channel to direct water to 1.5" drain opening at the foot end. Leveling feet can be adjusted to tilt foot end slightly lower. Comes w/ 41" of 1.5" flexible drain hose to direct water into floor drain (recommended) or bucket. Contoured width tapers from torso to leg area.

Top size Width 36" (torso), tapers to 32" (legs) x 83" length (maximum size, at the lower edge of top)

Working area size Width 29" (torso), tapers to 25" (legs) x 76" length

Frame 3/4" plywood frame sealed with exterior-grade paint. 1.25"

Pad Removable, closed-cell foam pad

Main lift mechanism 24v 4.5 A/h battery powers a linear actuator within the lifting column through a 24v, 8.50 A max control box mounted to the underside of the top.

Controls 2-button hand control on Battery table

BASE & FRAME:

Carbon steel base Sleek, contemporary design

Leg recess White powder-coat finish. Anodized aluminum center pedestal. 16.5"

Height range - standard 24" - 32" on Battery table; 25" - 33" on Stationary

Capacity Lifting capacity 375 lbs. / static weight capacity 800 lbs.

OPTIONAL ACCESSORIES:

Face support Contour FaceSpace

Neptune Face Pillow Taller pillow accommodates low mounting bracket position for face support (white; water resistant)

Wet Pillow Drape Covers Neptune Face Pillow (dark blue; waterproof)

Wet Spa Bolster 27" x 6" (dark blue; water resistant)

Massage Top Converter Padded vinyl top converts table for dry massage

Choose vinyl color: White, Black, Almond or Camel

GUARANTEES:

Structure 2 yrs. on replacement parts and 1 yr. on labor**

Foam Pad Guaranteed to arrive in good condition

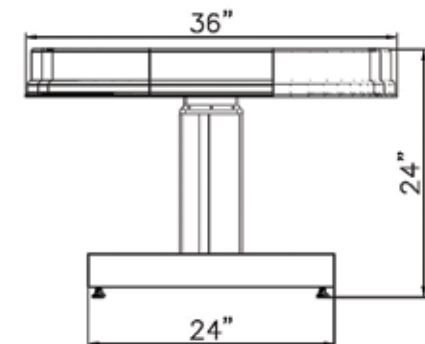
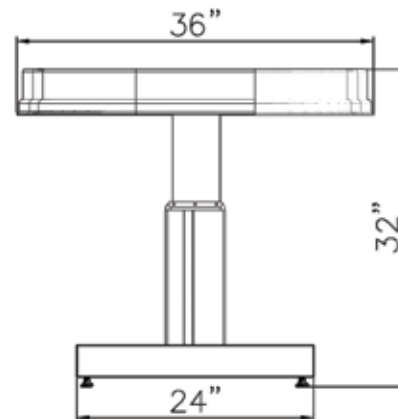
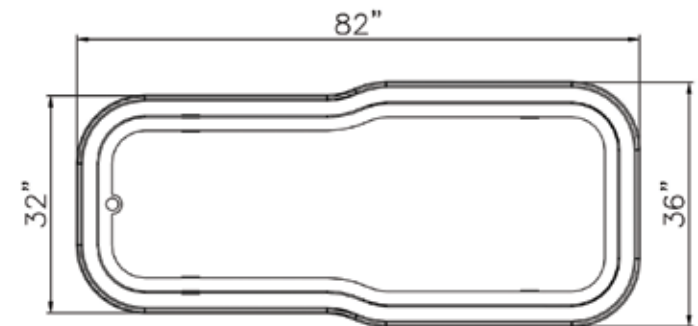
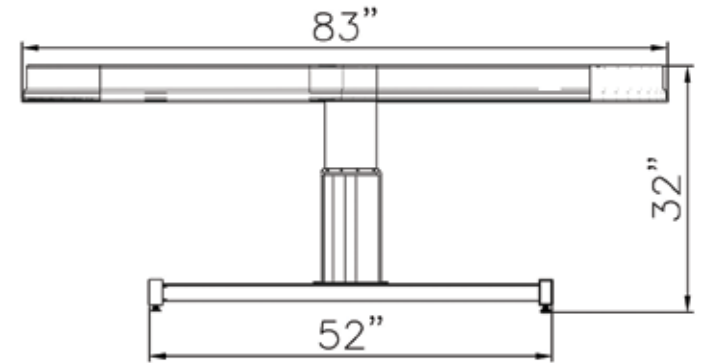
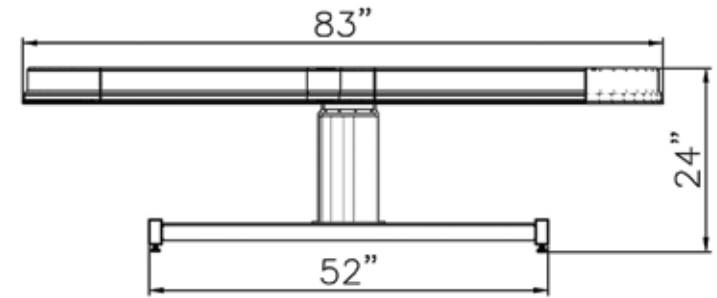
Mechanical 2 yr. warranty on materials; 1 yr. on battery

**Labor warranty for customers in USA only

WEIGHTS:

Table weight 250 lbs.

Shipping weight - boxed 300 lbs.



MOTORS & CONTROLS

NEPTUNE SOFTOP #21310



The **Neptune Softop** wet/dry table features a molded-acrylic drain system to divert water and products away from the client and keep floors drier. The winning combination of a super-comfortable 3.5" thick top, marine-grade vinyl and Fomentek water bag insures warmth and supreme comfort. Table height changes are easy with the battery-powered motorized lift system, operated by hand control.

STANDARD BASE COLOR:



WHITE POWDER COATED STEEL

(Custom finishes available)

STANDARD VINYL COLOR:



CAMEL

(Custom colors available. These apply to the removable covers only.)

OPTIONS & ADD-ONS: SofTop Replacement Top Cover #21312



Removable vinyl cover provides an extra layer of protection and can be replaced at a low cost.



Fomentek water bag when filled with hot water offers a comfortable embrace.



Acrylic lip directs water towards floor drain.

TOP:

Top design

3-1/2" thick padded top sits above an acrylic shell with built-in channel to direct water to a 1.5" drain opening at foot end. Leveling feet can be adjusted to tilt foot end slightly lower to help drainage. Comes w/ 41" of 1.5" flexible drain hose to direct water into floor drain (recommended) or bucket. Contoured width tapers from torso to leg area. Padded top is covered with seamless, marine-grade vinyl, and includes a matching, removable, fitted top cover.

Top size

Width 35" (torso), tapers to 31" (legs) x 82" length (maximum size, at the lower edge of top)

Working area

Width 32" (torso), tapers to 28" (legs) x 79" length

Main lift mechanism

24v 4.5 A/h battery powers a linear actuator within the lifting column through a 24v, 8.50 A max control box mounted to the underside of the top.

Controls

2-button hand control

BASE & FRAME:

Base

Outdoor-grade, white powder-coat finish
Anodized aluminum center pedestal

Leg recess

15.3"

Height range

24.5" to 34.5"

Capacity

Lifting capacity 375 lbs. / static weight capacity 800 lbs.

OPTIONAL ACCESSORIES:

Face support

Contour FaceSpace w/ Neptune Pillow (white pillow only)

Wet Pillow Drape

Covers Neptune Face Pillow (dark blue PVC; waterproof)

Wet Spa Bolster

27" x 6" (dark blue PVC; water resistant)

GUARANTEES:

Structure

2 yrs. on replacement parts and 1 yr. on labor**

Foam & fabric

2 yr. warranty on materials

Mechanical

2 yr. warranty on materials; 1 yr. on battery

**Labor warranty for customers in USA only

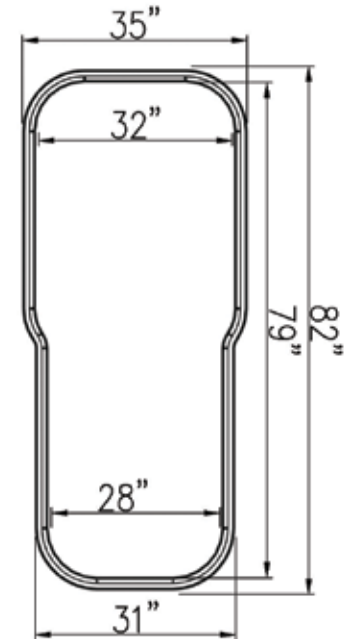
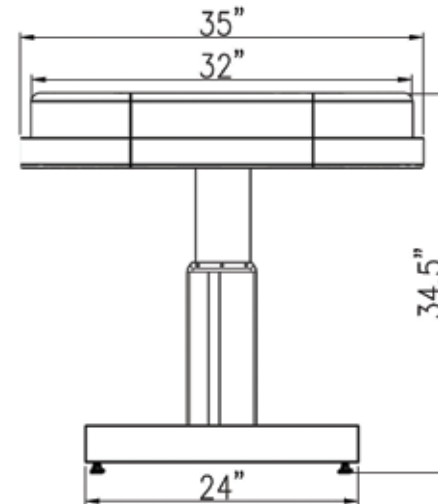
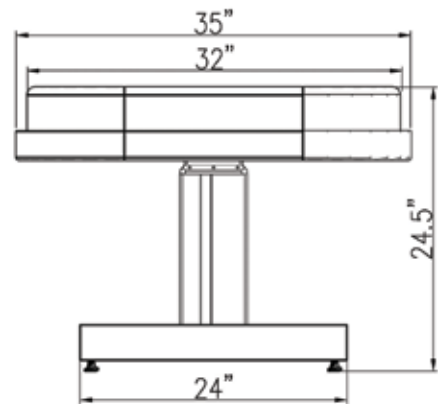
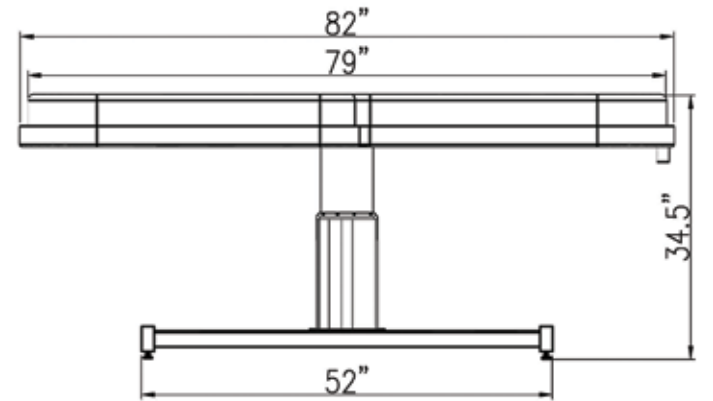
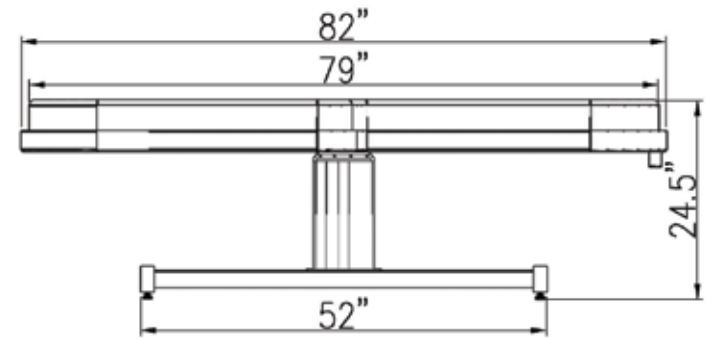
WEIGHTS:

Table weight

275 lbs.

Shipping weight - boxed

325 lbs.



APHRODITE

Battery Table #21008-XX
Stationary Table #21009-XX



The **Aphrodite Wet Table** combines a plush, upholstered top made of seamless, marine-grade vinyl with water/mildew-resistant underside, on a corrosion-resistant base for comfort and longevity. Useful for wet or dry spa treatments. Table height adjusts on both the stationary base (manually) and on the battery-powered pedestal model. A battery charger comes with the pedestal model. A removable marine-grade vinyl cover goes over the built-in marine-grade vinyl top. (Not recommended for use with Vichy Shower. Please see our Neptune table.)

STANDARD BASE COLOR:



WHITE POWDER COATED STEEL

(Custom finishes available)

STANDARD VINYL COLORS:



ALMOND

(Custom colors available)

OPTIONS & ADD-ONS:

Battery Table #21008
Stationary Table #21009
Aphrodite Replacement Top Cover #21001



Removable vinyl cover provides an extra layer of protection and can be replaced at a low cost.



Stationary base height can be manually adjusted.



Custom base finishes available upon request.

TOP:

Top design
Standard size top
Frame
Foam

Flat top with round corners and upholstered in Almond colored marine-grade vinyl 30"x73"
3/4" plywood, sealed with exterior-grade paint
2" firm bottom layer + 1- 3/4" medium-density layer of urethane polymer and 1/2" fluffy polyester Dacron top layer batting.
Lightly-textured, fitted, marine-grade vinyl cover is water resistant, in White, Camel, Almond or Black. (Optional Wet Sheet for wet treatments is recommended.)

Removable Cover

BASE & FRAME:

Base
Leg recess
Height range
Lifting weight
Capacity

Sleek, contemporary design with white powder-coat finish and anodized aluminum center pedestal
6" leg recess at end of table with foot section flat
24"- 32" Battery table; 25"- 33" Stationary
Lifting weight capacity 375 lbs.
Static weight capacity 800 lbs.

MOTORS & CONTROLS:

Base lift motor
Controls

24v 4.5 A/h battery powers a linear actuator within the lifting column through a 24v, 8.50 A max control box mounted to the underside of the top.
2-button hand control on Battery table

VINYL:

UltraSoft Touch

Marine-grade vinyl

OPTIONAL ACCESSORIES:

Contour FaceSpace w/ Pillow (water resistant)
Flat or Fitted Wet Sheet, dark blue
Face Pillow Drape covers Contour FaceSpace Pillow for wet treatments
Wet Spa Bolster, dark blue (water resistant - cover with Wet Sheet)
Fitted vinyl cover (as replacement)

GUARANTEES:

Structure
Vinyl & foam
Motor & controls

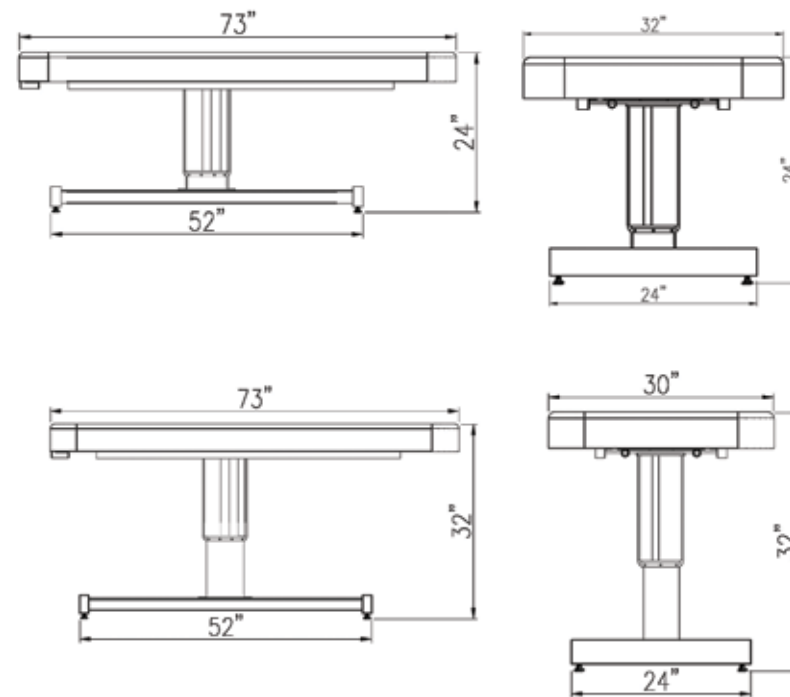
2 yrs. on replacement parts and 1 yr. on labor (labor warranty USA only)
2 yrs. on materials
2 yr. warranty on materials; 1 yr. on battery

WEIGHTS:

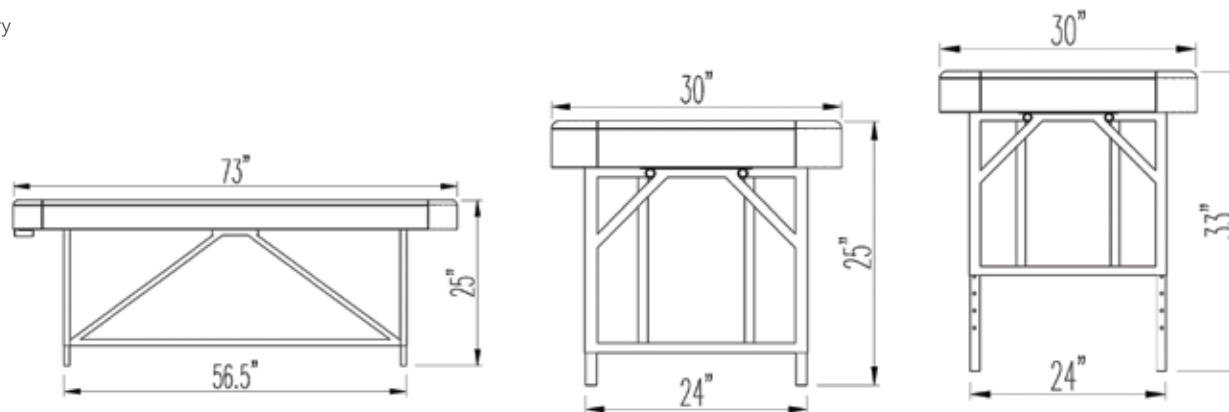
Table weight
Shipping weight - boxed
Shipping dimensions

200 lbs. Battery table; 125 lbs. Stationary
250 lbs. Battery table; 175 lbs. Stationary
83"L x 39"W x 37"H

BATTERY MODEL



STATIONARY MODEL





WET ROOM
ACCESSORIES



The right accessories will keep you and your client comfortable during wet treatments, and lend versatility to your table with coverings for dry treatments.

WET ROOM ACCESSORIES



Neptune Face Pillow (White only)

Designed for Neptune Wet Tables, the Pillow is thicker, for ergonomic working height. Use with a Wet Drape for Face Pillow during wet treatments. Upholstered with marine grade vinyl. Pillow only #41015 3 lbs.
Contour FaceSpace w/ Neptune Pillow #41084-NP 7 lbs.



Wet Drape for Face Pillow (Blue)

Royal blue PVC wet face cradle drape provides water proofing. Easily removable, this drape should be surface cleaned between treatments. #52002 1 lb.



Flat Wet Sheet (Blue 60" x 90")

Royal blue flat PVC wet sheet. Easily removable, this drape should be surface cleaned between treatments. #52003-4101 3 lbs.



Fitted Wet Sheet (Blue 31" x 73" X 9")

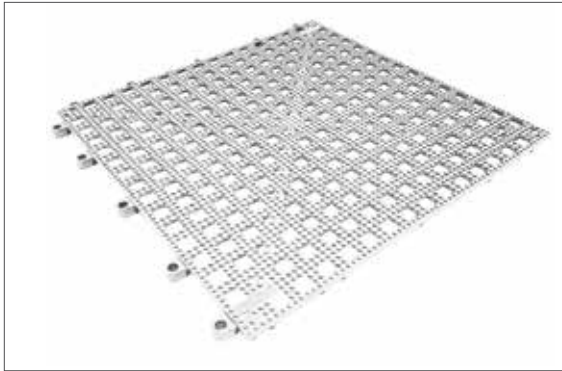
Royal blue fitted PVC wet sheet. Easily removable, this drape should be surface cleaned between treatments. #52001-4101 3 lbs.



Closed-Cell Foam Pad (Teal 26" x 68")

This wet table mat is contoured to fit with our Neptune tables. Easily removable, this mat should be surface cleaned between treatments. #42313-10 12 lbs.

WET ROOM ACCESSORIES



Non-Slip Floor Mat (White 36" x 48")

With safety in mind, this standing surface provides grip and drainage when working in a wet room. #49001-65 11 lbs.



Wet Spa Bolster (Blue 6" x 27")

Royal blue PVC wet bolster is water resistant and should be covered with a Wet Sheet during wet treatments. This bolster should be surface cleaned between treatments. #42022-40 7 lbs.



Massage Top Converter for Neptune

The padded massage top converter turns our Neptune Wet Table into a fully functional dry treatment table. Available in our four standard colors. #42005-XX 15 lbs.



Wet Face Pillow (water resistant)

Designed to work with our Aphrodite wet/dry table. Made with marine-grade vinyl. Available in our four standard colors. This pillow should be covered with a Wet Drape for Face Pillow when exposed to water. #41017-XXW 3 lbs.



Aphrodite Replacement Top Cover

Replacement for the Aphrodite wet/dry removable topper. Made with marine-grade vinyl. Available in our four standard colors. Cover should be surface cleaned between treatments. #21001 5 lbs.





PEDICURE



A relaxing pedicure can soothe even the most jangled nerves. Our line of pedicure equipment adds function, style and revenue to any spa or salon, and offers a level of pampering that will keep clients coming back for more.



The **Archipedigo** is a stylish, comfortable and motorized Pedi-Lounge that is supremely versatile. Fingertip controls recline the top into a relaxing resting position. The motorized base adjusts with the same push-button ease, gliding forward to allow smooth entry, and once the client is seated, gliding back to allow access to the Foot Bath. The Manicure Shelf quickly attaches to allow manicures while seated, not disturbing customers to relocate. The Adjustable Foot Rest allows a soothing pedicure for the customer and ergonomic comfort for the therapist. This versatile and ultimately comfortable lounge is constructed with materials and finishes selected for sustainability and long-term use.

BASE COLORS:



ZEBRA WOOD

WALNUT

STANDARD VINYL COLORS:



WHITE

ALMOND

CAMEL

BLACK

(Custom colors available)



Motorized track system moves chair over foot tub allowing your client to easily sit down. Chair then moves back to expose tub.



Adjustable footrest provides comfort for therapist and client during pedicures.



Electrically adjustable backrest adds an additional level of relaxation.

CHAIR:

Seat design	One-piece cushion, 3" foam, 3/4" plywood
Back Design	Two-piece cushion, 3" foam, 3/4" wood veneer on plywood
Back tilt angle	90 to 140°
Top adjustment mechanism	24v DC, UL/CE recognized; powered through a 110/220v, 5/2.5 amp transformer
Controls	4-button hand control
Standard seat size	24" W x 19" D
Foam	3" urethane polymer

BASE:

Base Design	Contemporary design Walnut veneer over wood composite, clear PU lacquer finish
Base Travel	24.5"
Weight Capacity	450 lbs.
Base adjustment mechanism	24v DC, UL/CE recognized; powered through a 110/220v, 5/2.5 amp transformer

VINYL:

UltraSoft-Touch Vinyl	Lightly textured, super-soft PU vinyl, fabric backed Colors: Camel, Almond, White or Black
-----------------------	---

FOOT BATH:

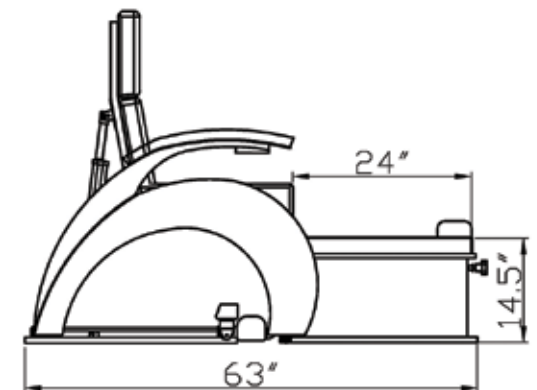
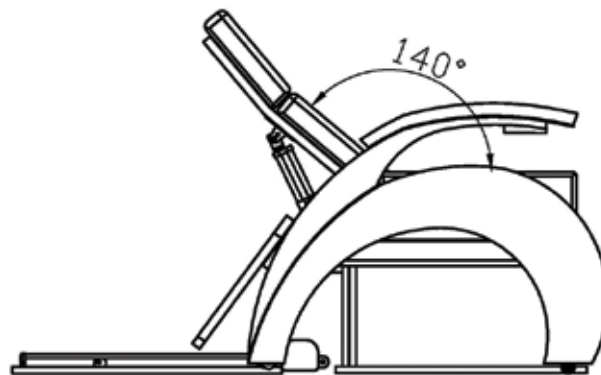
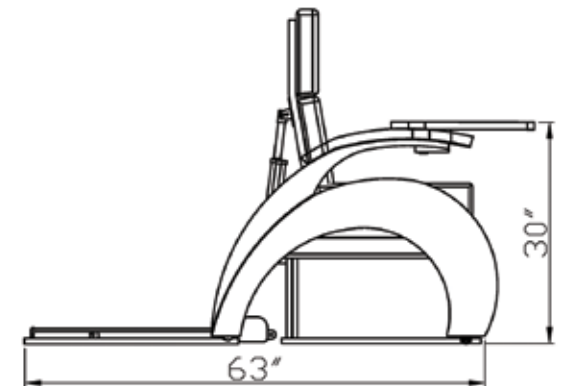
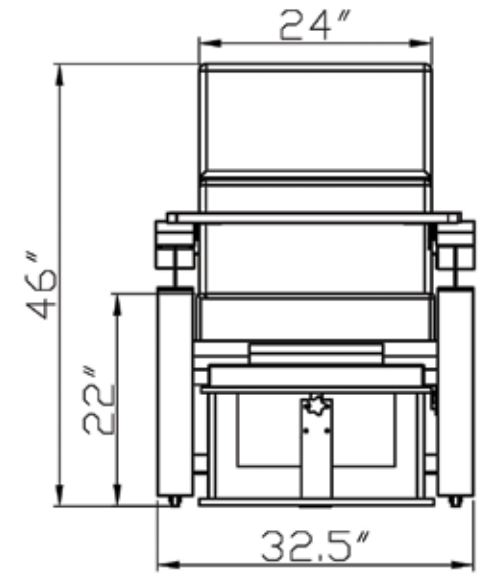
Sink	100% Acrylic
Sink Surround	Quartzite Stone
Sink Cabinet	Walnut veneer over plywood, clear PU lacquer finish
Foot Support	4.75" x 13.75", 4" urethane polymer
Foot Support Height Range	9"
Water Valve	Single handle, volume and temperature control

GUARANTEES:

Structure	10 yrs. on replacement parts for frame/structure and 1 yr. on labor**
Motor & controls	2 yrs. warranty on materials for mechanical/electrical parts
Vinyl & foam	2 yrs. on materials
Foot Bath	1 yr. structural and plumbing warranty

WEIGHTS:

Chair weight	250 lbs.
Shipping weight - boxed	290 lbs.
Shipping dimensions	50"L x 43"W x 37" H



MOTORIZED BREATH LOUNGE

#31050-XX

Our popular Breath Pedi-Lounge is now available in a motorized version that is supremely versatile. Fingertip controls recline the top into an incredibly comfortable resting position. The optional motorized base adjusts with the same push-button ease, gliding forward to allow smooth entry, and once client is seated, gliding back to allow access to the optional Foot Bath. Features self-adjusting Manicure Armrests (optional) and the footrest slides to the side, exposing the Foot Bath for soothing pedicures.



STANDARD BASE COLOR:



WENGE

(Custom finishes available)

STANDARD VINYL COLORS:



CAMEL



BLACK

(Custom colors available)

OPTIONS & ADD-ONS: Motorized track option 31050-MB
 Swing away arms 31050-SWG
 Plumbed in place foot bath 31070-TUB



Motorized track moves chair over tub allowing client to sit down; moves back to expose pedicure tub.



Chair tilts back for comfort; swing away arms stay level as a convenient working surface.



Foot plates slides so that one foot can soak while the other is worked on.

TOP:

Top design

Unique, motorized top reclines with fingertip controls
Ergonomically shaped to help release stress
Adjustable neck pillow is included
Split footrest slides to the side to allow optional Foot Bath access
Sturdy PVC in Camel or Black, water resistant
1-1/2" foam beneath PVC cover
28" x 69"
6-button hand control

Materials

Foam

Top size

Top adjustment mechanism

BASE & FRAME:

Materials

Finish

Optional base motor

Capacity

Solid rubberwood
Wenge finish
Motorized base moves forward/back allowing easy entry/Foot Bath access
Static weight capacity 450 lbs. Suitable for persons up to 6'4" in height

ACCESSORIES:

Manicure Armrests

Foot Bath

Optional, self-leveling Manicure Armrests
Optional Foot Bath, designed to be plumbed-in-place

GUARANTEES:

Structure

Fabric & foam

Motor(s)

1 yr. on frame/structure
2 yrs. on materials
2 yrs. on replacement parts

WEIGHTS:

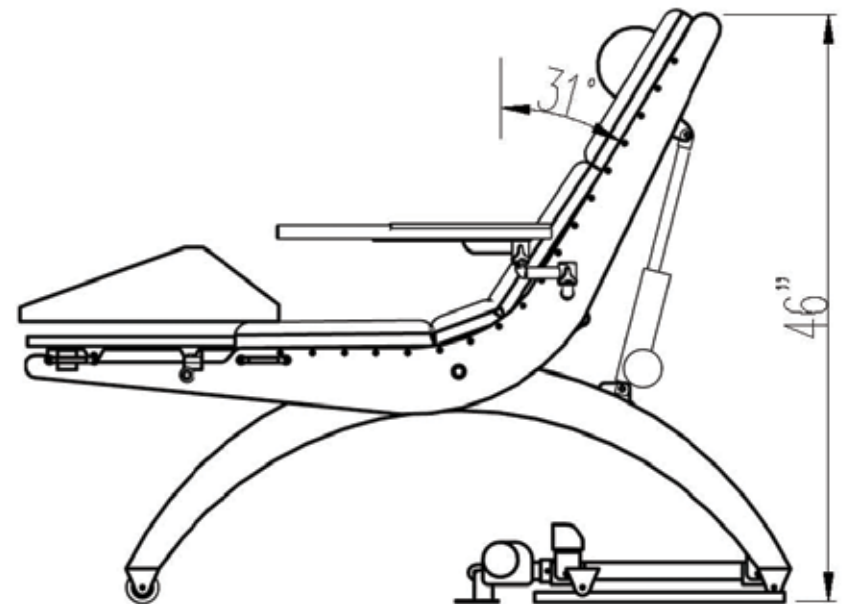
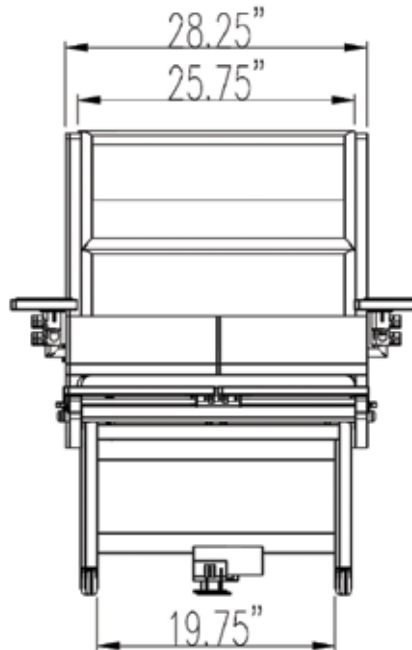
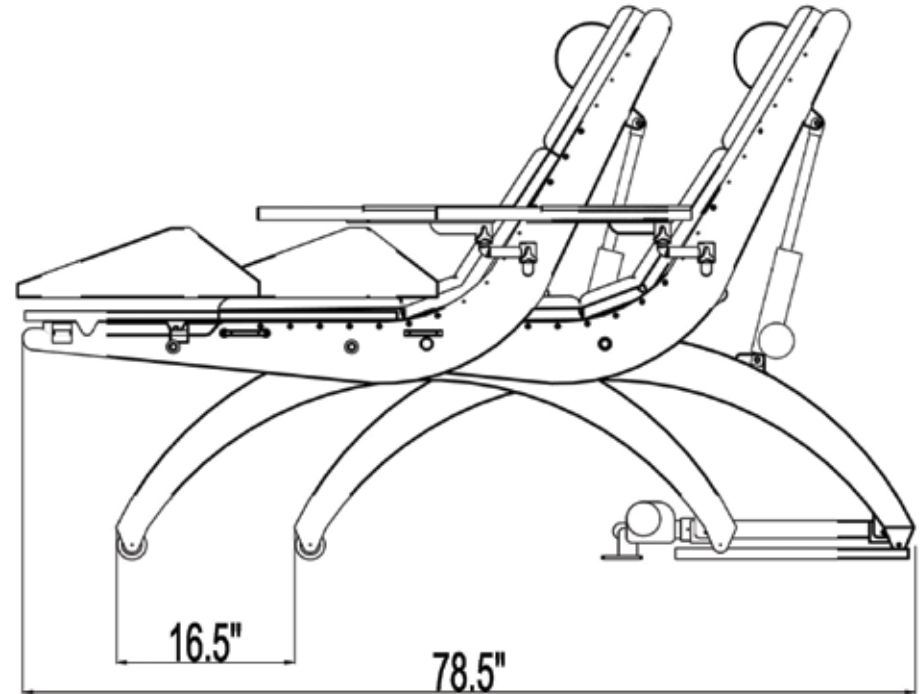
Lounge weight

Weight capacity

Shipping weight - boxed

Shipping dimensions

150 lbs.
450 lbs.
250 lbs.
83"L x 39"W x 48"H



RELAXATION LOUNGERS



BREATH PEDI-LOUNGE

#31030-XX



The **Breath Pedi-Lounge** is a multipurpose relaxation lounge that offers zero-gravity comfort. Locks into position for a soothing soak and complete pedicure, and transforms into a rocking lounge while polish dries. This innovative design is at home in any relaxation area. Also available in an outdoor version - relax by the pool while enjoying the lounge's gentle rocking motion.

STANDARD BASE COLOR:



WENGE

(Custom finishes available)

STANDARD VINYL COLORS:



CAMEL



BLACK



PEBBLE



WHITE



ALMOND

(Custom colors available)

OPTIONS & ADD-ONS:

Mani-Table 41059-02

Mani-Table w/Quartz Stone Top 41059-04

Solid one-piece footrest 31030-TFB-XX



Lock for rocking motion can be engaged or disengaged from foot section. Second lock handle accessible while sitting in lounge.



OPTION: Solid one piece footrest allows zero gravity relaxation in the spa and at home!



TOP:

Top design

Unique, non-motorized, rocking design gently moves and soothes
Ergonomically shaped to help release stress
Adjustable head pillow, two adjustable foot rests and dual leg cushions are included
Split cushions remove to reveal opening for pedicure-bowl access
Fabric safety strap prevents over-rocking
Sturdy PVC in Camel or Black, water resistant
1-1/2" foam beneath PVC cover
28" x 66"

Materials
Foam
Top size

BASE & FRAME:

Materials
Finish
Capacity
Locks
Pedicure bowl access

Solid rubberwood
Wenge finish
Static weight capacity 450 lbs. Suitable for persons up to 6' 4" in height
Adjustable locking mechanism holds Lounge in any position
Easy pedicure-bowl access by removing either (or both) foot pads
Accommodates up to 18.5" square or 20" round bowl (not included)

GUARANTEES:

Structure
Fabric & foam

1 yr. on frame/structure
2 yrs. on materials

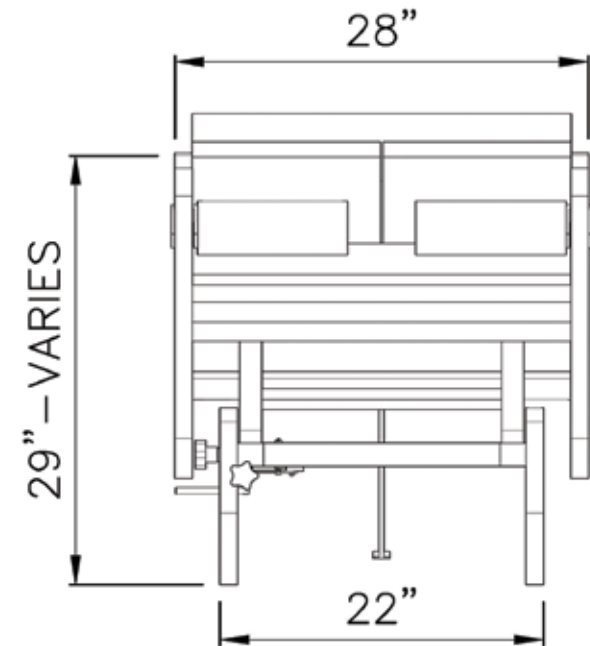
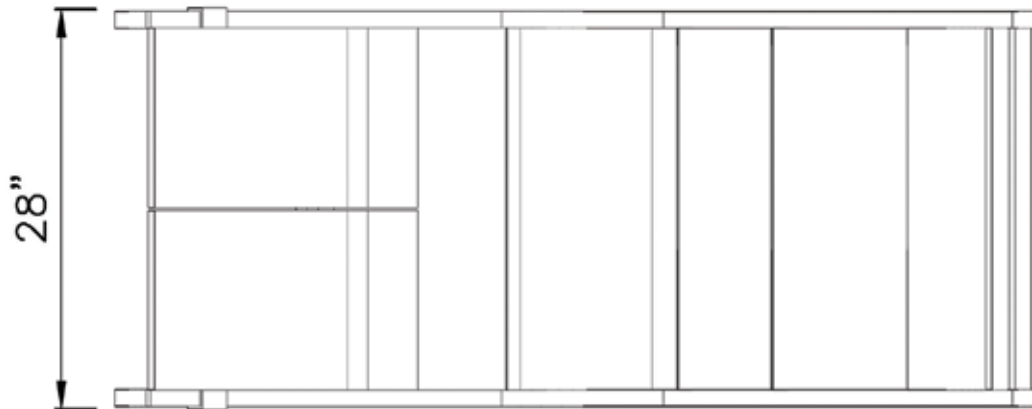
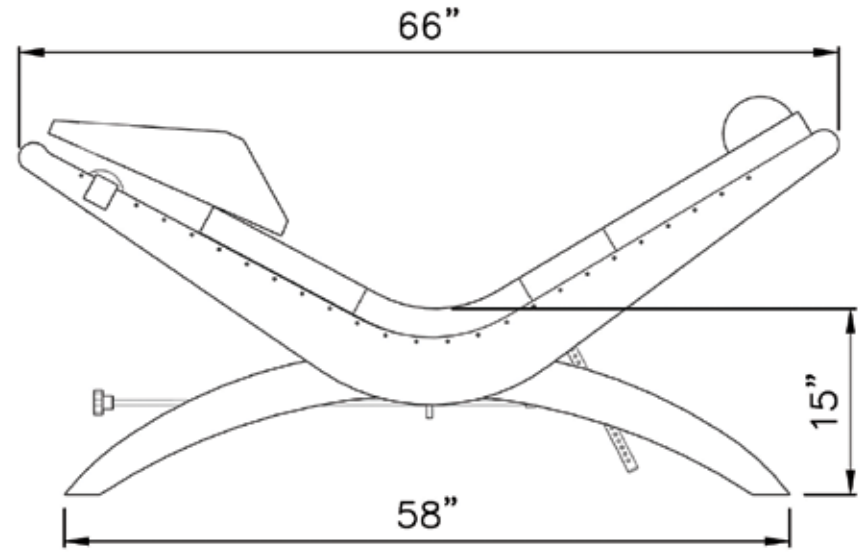
WEIGHTS:

Lounge weight
Shipping weight - boxed
Shipping dimensions

100 lbs.
165 lbs.
83" x 39" x 37"



MOTORS & CONTROLS



RELAXATION LOUNGERS



S-LOUNGE

#31061-XX



Locks into zero gravity position shown, or more upright lounging position.

The S-Lounge takes body, mind & spiritual rejuvenation to a whole new dimension of experience. This adjustable, zero gravity relaxation lounge cradles your body in the luxurious comfort of 3" memory foam. Ergonomic design offers surprising comfort, shaped to help release stress by reducing blood pressure. Elegant lines compliment almost every decor in the spa or at home. Adjusts to upright or zero gravity position.

STANDARD BASE COLOR:



STANDARD VINYL COLORS:



(Please inquire for custom upholstery and finish options.)



Chromotherapy option: Colored light adjusts the body's vibrations to healing frequencies.



Motorized adjustment operated via hand control.



Comes standard with an ultra-comfortable memory foam neck roll.

TOP:

Top design

Ergonomic design offers surprising comfort while lounging on extra plush 3" gel memory foam. Ergonomically shaped to help release stress by reducing blood pressure.

Materials

SoftTouch upholstered cushion on nylon hammock

Top size

32.5" x 69"

BASE & FRAME:

Materials

Solid rubberwood

Finish

Wenge finish

Capacity

Static weight capacity 450 lbs. Suitable for persons up to 6'4" in height

Tilt

Motorized adjustment holds Lounge in any position

ELECTRICAL:

110VAC 5 Amp

GUARANTEES:

Structure

2 yrs. on frame/structure

Mesh fabric

2 yrs. on materials

SoSound

1 yr.

WEIGHTS:

Lounge weight

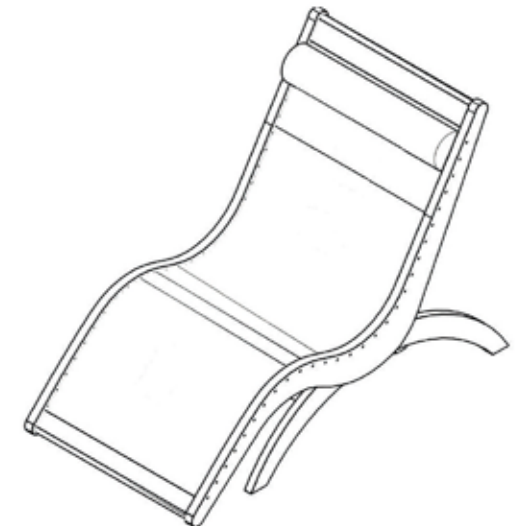
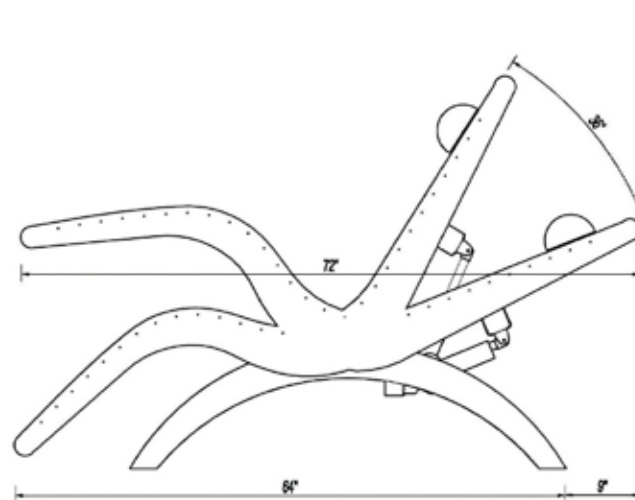
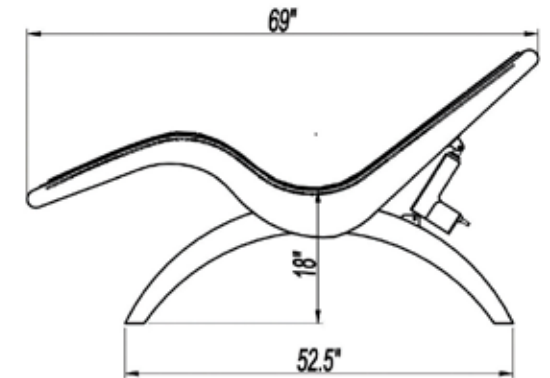
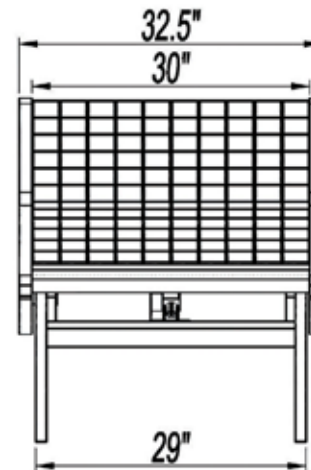
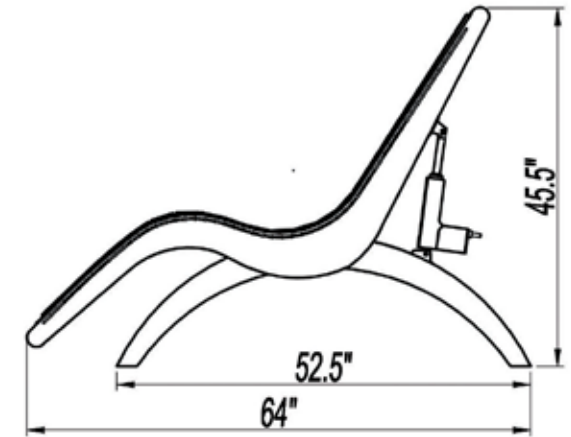
150 lbs.

Shipping weight - boxed

185 lbs.

Shipping dimensions

83" x 39" x 37"



MOTORS & CONTROLS

BREATH LOUNGE with Sound Journey Rx



The **Breath Pedi-Lounge with Sound Journey Rx** is a multipurpose relaxation lounge that offers zero-gravity comfort. Locks into position or unlocks to become a rocking lounge. This innovative design is at home in any relaxation area. Constructed from solid wenge base. **Our best-selling Breath Lounge now comes with TouchAmerica's new Sound Journey Rx** option for full immersion sound that reverberates throughout your entire body for the most profound relaxation possible. Two packages are available:

OPTIONS & ADD-ONS:

- Mani-Table 41059-02
- Mani-Table w/Quartz Stone Top 41059-04
- Solid one-piece footrest 31030-TFB-XX
- Sound Wings 31031-SW

Sound Journey RX - LF Pro

Low-Frequency Sound Package includes a Class D Bluetooth Amplifier with Sub Frequency Adjustment, (2) Tactile Transducers, and Line Level Output Converter for optional headphones. Frequency range without the use of headphones is 10hz-80hz. When used with headphones, a full-range sound can be heard.

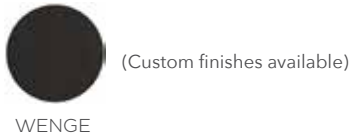
Sound Journey RX - ReVibe

Pro Sound Package comes with a Class D Bluetooth Amplifier with Sub Frequency Adjustment, (2) Tactile Transducers, (2) Treble Sound Transducer, and Line Level Output Converter for optional headphones. Frequency range without the use of headphones is 10hz-15000hz.

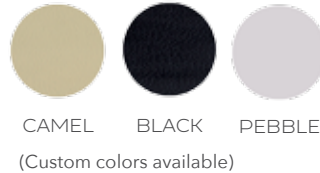
Optional Sound Wings

Complete the full-body surround sound experience with a right a left resonating wing with treble transducers around the head section of our loungers. Highly recommended if headphones are not being used. Frequency response 20hz-20,000hz.

STANDARD BASE COLOR:



STANDARD VINYL COLORS:



Lock for rocking motion can be engaged or disengaged from foot section. Second lock handle accessible while sitting in lounge.



Optional one piece footrest allows zero gravity relaxation in the spa or at home!



Amplifier for both packages supplies full-body sound for an extraordinary experience.



TOP:

Top design

Unique, non-motorized, rocking design gently moves and soothes
Ergonomically shaped to help release stress
Adjustable head pillow, two adjustable foot rests and dual leg cushions are included. Solid leg cushion option available.
Split cushions remove to reveal opening for pedicure-bowl access

Materials

Fabric safety strap prevents over-rocking

Foam

Sturdy PVC in Camel, Pebble, or Black, water resistant

Top size

1-1/2" foam beneath PVC cover
28" x 66"

BASE & FRAME:

Materials

Solid rubberwood

Finish

Wenge finish

Capacity

Static weight capacity 450 lbs. Suitable for persons up to 6' 4" in height

Locks

Adjustable locking mechanism holds Lounge in any position

GUARANTEES:

Structure

1 yr. on frame/structure

Fabric & foam

2 yrs. on materials

WEIGHTS:

Lounge weight

100 lbs.

Shipping weight - boxed

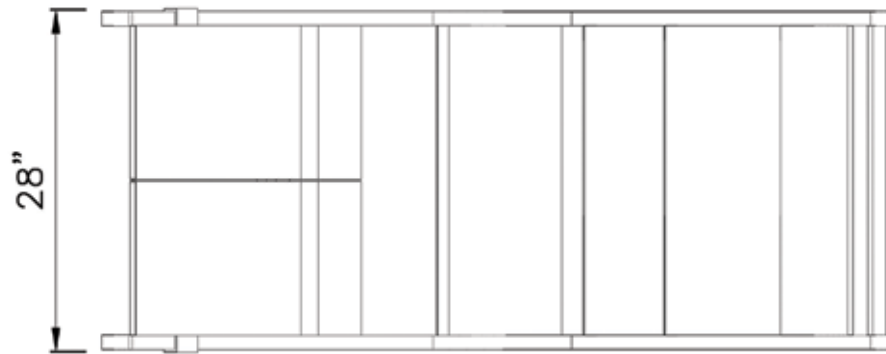
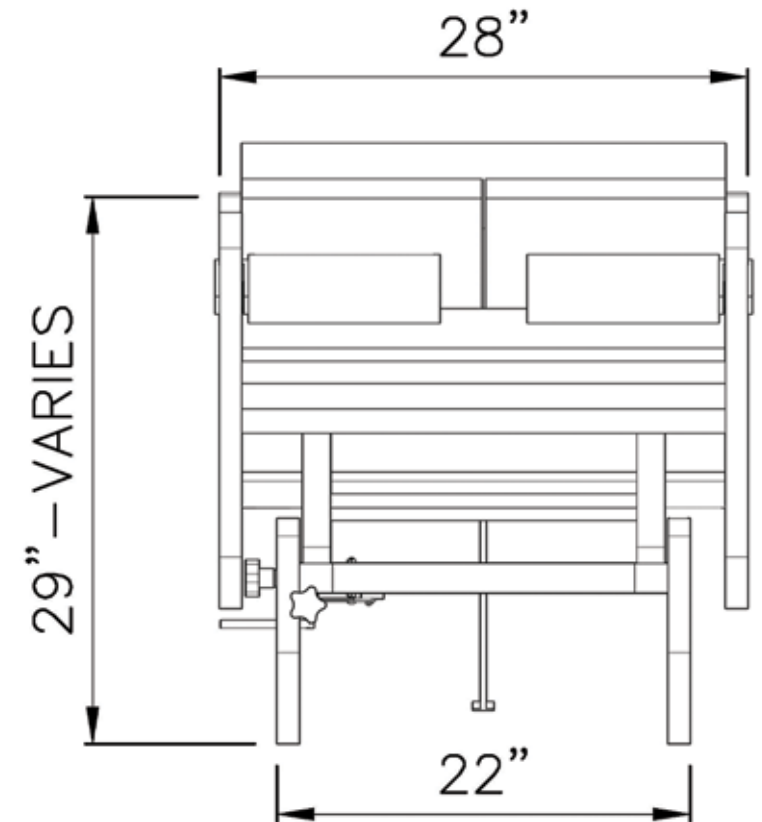
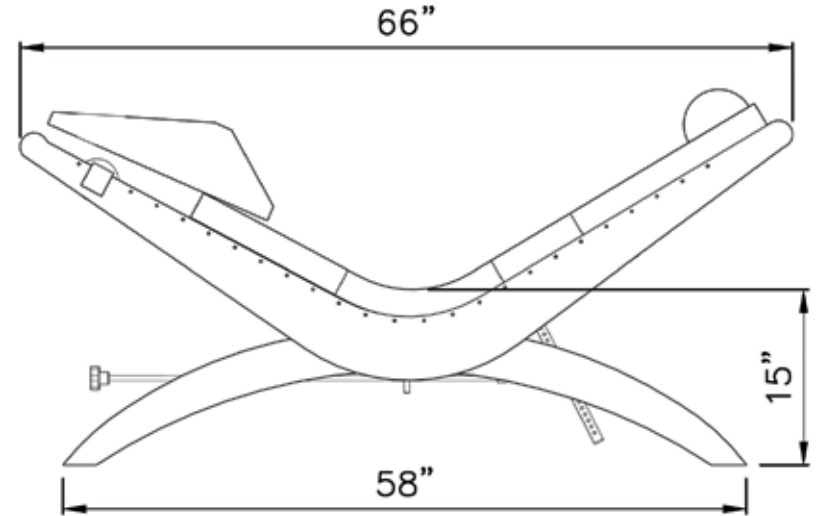
165 lbs.

Shipping dimensions

83" x 39" x 37"



MOTORS & CONTROLS



ACOUSTIC RESONANCE



STANDARD BASE COLOR:



STANDARD VINYL COLORS:



(Please inquire for custom upholstery and finish options.)

OPTIONS & ADD-ONS: Sound Wings 31031-SW



Chromotherapy option:
Colored light adjusts the
body's vibrations to healing
frequencies.



Amplifier for both packages
supplies full-body sound for
an extraordinary experience.



Full body immersive sound
experience while at zero
gravity - total relaxation!

S-LOUNGE with Sound Journey Rx

#30131-XX

The Sound Journey Lounge Rx includes Bluetooth, a 3.5mm headphone jack, and user access to volume, tone and base levels. The ReVibe and UVibe models include full-range sound transducers, making headphones optional. An easily reachable switch allows the listener to turn off the full-range transducers, leaving the tackle bass transducers active for headphone listening. The control box pictured can be mounted on either side of the Sound Journey Lounge upon request. We can also mount the controls on the back side of the chair, although this removes the ability to adjust while seated. A hand control changes the position via motor for total zero gravity comfort.

Three Sound Journey Lounge Rx packages are available:

Sound Journey Rx - LF Pro

Low-Frequency Sound Package includes a Class D Bluetooth Amplifier with Sub Frequency Adjustment, (2) Tactile Transducers, and Line Level Output Converter for optional headphones. (frequency range without the use of headphones is 10hz-80hz. When used with headphones a full-range sound can be heard)

Sound Journey Rx - ReVibe

Pro Sound Package comes with a Class D Bluetooth Amplifier with Sub Frequency Adjustment, (2) Tactile Transducers, (2) Treble Sound Transducer, and Line Level Output Converter for optional headphones. (frequency range without the use of headphones is 10hz-15000hz.)

Sound Journey Rx - UVibe

Elite Sound Package comes with a Class D Bluetooth Amplifier with Sub Frequency Adjustment, (4) Tactile Transducers, (2) Treble Sound Transducer, and Line Level Output Converter for optional headphones. (frequency range without the use of headphones is 10hz-15000hz.)

(Optional) Sound Wings

Complete the full-body surround sound experience with a right a left resonating wing around the head section of our loungers. (highly recommended if headphones are not being used. Frequency response 20hz-20,000hz)

TOP:

Top design

Ergonomic design offers surprising comfort while lounging on extra plush 3" gel memory foam. Ergonomically shaped to help release stress by reducing blood pressure.

Materials

SoftTouch upholstered cushion on nylon hammock

Top size

32.5" x 69"

BASE & FRAME:

Materials

Solid rubberwood

Finish

Wenge finish

Capacity

Static weight capacity 450 lbs. Suitable for persons up to 6'4" in height

Tilt

Motorized adjustment holds Lounge in any position

ELECTRICAL:

110VAC 5 Amp

GUARANTEES:

Structure

10 yrs. on frame/structure

Amp and Transducers

5 yrs.

Motors and controls

2 yrs.

Upholstery

1 yr.

WEIGHTS:

Lounge weight

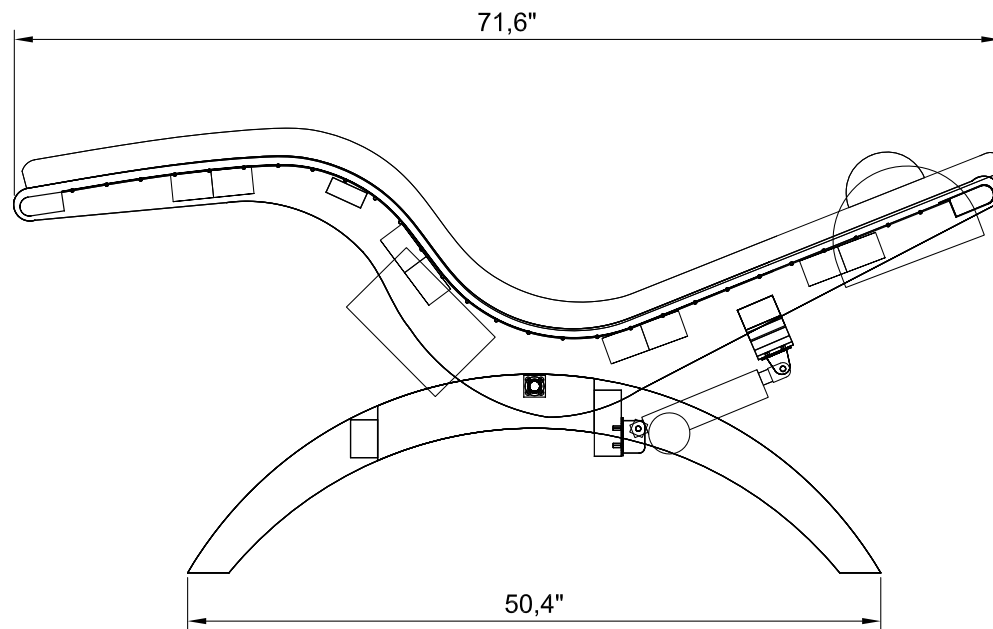
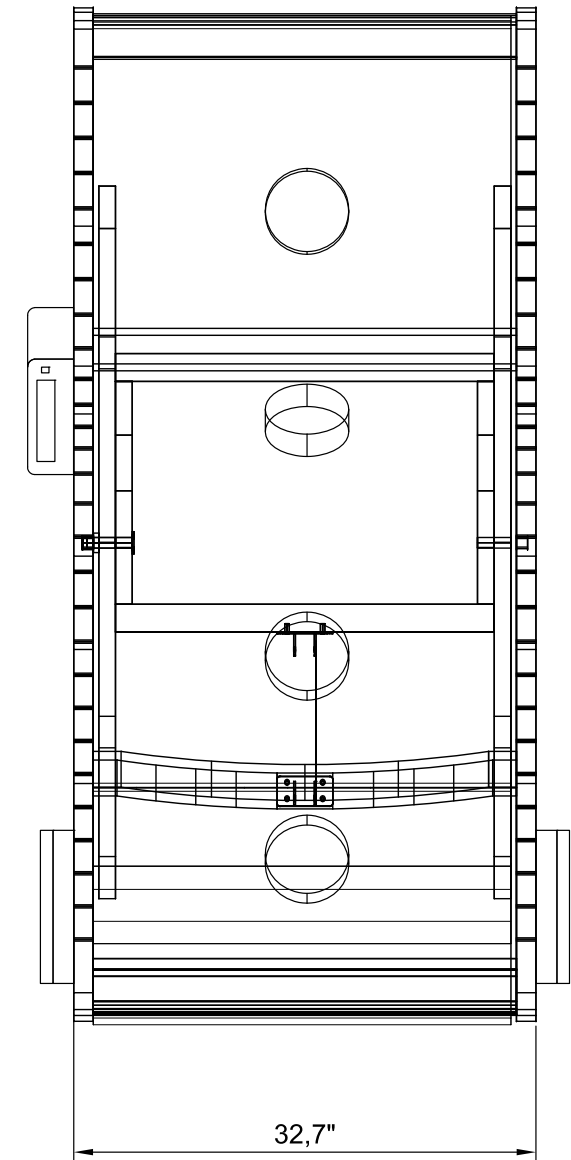
150 lbs.

Shipping weight - boxed

185 lbs.

Shipping dimensions

83" x 39" x 37"



PEDICURE
CARTS &
STOOLS





Our versatile, efficient carts and stools are built with everyone's best experience in mind. Features offer convenient storage, convertability, and portability to make the technician's job easier.

PEDICURE CARTS & STOOLS



Weights shown are shipping weights.



Standard Pedicure Cart

Laminate, rolling cart designed to house towels, product, tools and supplies.
#41058-01 54 lbs.



Deluxe Pedi-Cart w/Quartz-Stone Top

Upgraded quartz-stone top provides an attractive durable work surface.
#41058-02 100 lbs.



Pedicure Stool with Drawer

Perfect for pedicurists, this rolling stool creates an effective working seat, enhanced with a pull-out shelf and storage within. Available with service tray upgrade, shown below.
PediStool #41059-01 43 lbs.
Optional Service Tray #41059-01C 10 lbs.



Handy tray and drawers



Quartz-Stone Top adds sophistication

Optional Service Tray covers seat for maximum versatility.



PEDICURE CARTS & STOOLS



Weights shown are shipping weights.



Mani-Table

Designed to roll up to our Breath Pedi-Lounge to provide a handy, rolling manicure table. Upgraded quartz-stone top offers a clean, durable surface. Mani-Table #41059-02 40 lbs. Mani-Table with Quartz-Stone top #41059-04 45 lbs



PediBowl Dolly

Save your back with this handy dolly and easily roll your pedicure bowl from place to place. #41150 20 lbs.



Foot Bath

This stationary, plumbed-in-place soaking tub works well with our Motorized Breath Pedi-Lounge. #31070-TUB 37 lbs.



Perfect complement to the Breath Pedi-Lounge



Make it easier with portability.



Shown with Motorized Pedi-Lounge



HALOTHERAPY EQUIPMENT



Halotherapy, derived from the Greek “halos”, meaning salt, is a form of therapy that employs the proven healing qualities of salt for the respiratory system. Mainstream medicine has known of the therapeutic benefits of saline and salt inhalation for decades. Halotherapy treatments have been proven to clear mucus from lungs, provide anti-inflammatory and bactericidal effects, and improve lung function.

We are excited to offer several options for halotherapy treatments, using 100% pure Himalayan salt.

ION SALT TABLE

ION Salt Table #11397



TouchAmerica's **Ion Salt Table** is a SO-SOUND® enhanced salt table. Bask in the warmth of heated granular salt crystals, suspended on a flexible hammock, while experiencing healing waves of sound and music resonating through you. By combining a transformational sound-healing massage with So Sound® Acoustic Resonance Technology and Himalayan Salt, long known to enhance health by producing negative ions and improving respiratory function, we create a unique treatment table that will have a profound effect on one's overall sense of well-being. Push button adjustments provide height and tilt function for ease of use and comfort.

IN COLLABORATION WITH:



BASE COLORS:



BAMBOO

VINYL COLORS:



WHITE ALMOND CAMEL BLACK



Sound Hearts™ work with headphones for a blissful experience.



Professional-grade 220-watt heater rests under the salt, providing warmth and releasing the salt's healing negative ions.



Warming drawer keeps towels and heat transferring products warm and ready.

TOP:

Top design	Bamboo structure w/ woven, flexible mat supporting salt blocks
Drip tray	2 stainless steel drawers opening from top ends
Salt	100% Himalayan granular salt crystals
Standard size top	32" x 82"
FaceSpace	Mounting holes on one end for face cradle
Articulating top	Pedestal motors operate separately to elevate and tilt top

BASE & FRAME:

Bamboo cabinet	Two-drawer cabinet: one side stainless steel warming drawer w/ adjustable temperature, and one side standard storage drawer
Base	Bamboo base cover w/ sleek, contemporary design over white powder-coated steel base; dual-pedestal lift
Leg recess	11" recess from ends, 3" from sides
Height range	24" to 34.5" (infinite motorized adjustment)
Lifting weight	Lifting weight capacity 500 lbs.
Static weight	1000 lbs.

MESSAGE TOP:

Foam	2" medium-density layer of urethane polymer
Frame	Plywood frame
Massage top size	33.5" x 83.5"
UltraSoft-Touch upholstery	Lightly textured, super-soft vinyl, fabric backed

MOTORS & CONTROLS:

Main lift mechanism	Two 24 vDC, 5 amp max motor/actuator, UL Recognized
Control box	24 vDC, 8.50 amp max, UL Recognized
Controls	4-button hand control to raise, lower and tilt table height

GUARANTEES:

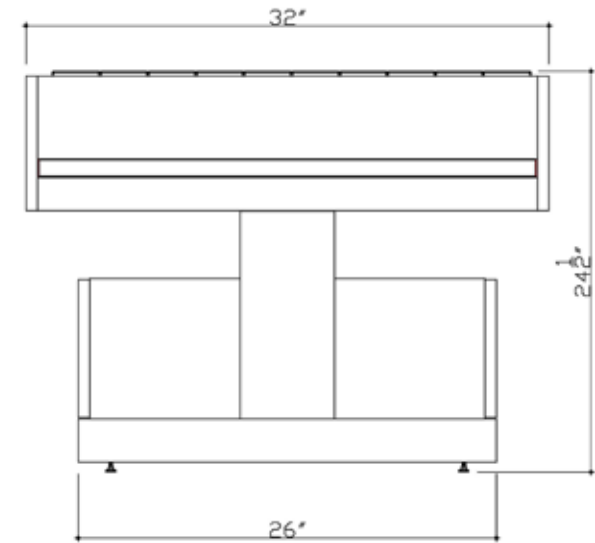
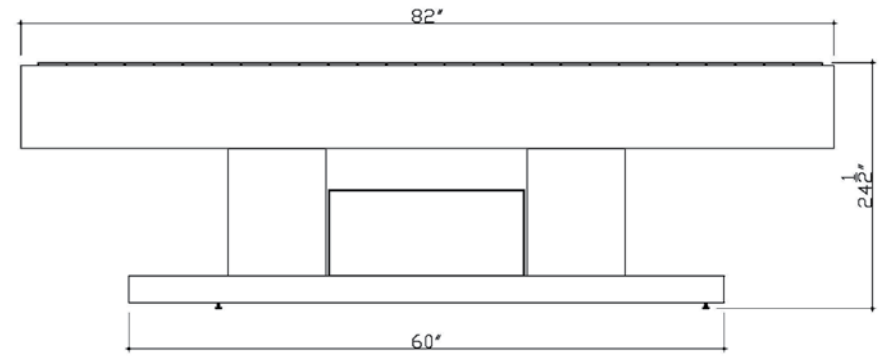
Structure	10 yrs. on replacement parts for frame/structure and 1 yr. on labor**
Motor & controls	2 yrs. on materials
Vinyl & foam	2 yrs. on materials
	**Labor warranty for customers in USA only

WEIGHTS:

Table weight	363 lbs. salt included
Shipping weight - boxed	413 lbs. salt included
Shipping dimensions	92" x 42" x 40"

REPLACEMENT SALT:

Salt table uses 163kg (363 lbs.) of Himalayan salt crystals.



ATLAS FLEX-BLOCK™ SALT TABLE

#11396-XX

The **Atlas Flex-Block™ Salt Table** provides an easy-to-use and ultra-comfortable system to deliver the healing properties of salt. This next-generation salt table is like no other. Our exclusive Himalayan Salt Flex-Block™ bed allows spa guests to lie directly on a solid surface of salt. Unlike granular salt beds, the Atlas Salt Table is easily sanitized with an eco-cleaner before each treatment. Your clients will benefit from the healing power of Himalayan Salt, known to improve respiratory function, soften skin and provide stress relief. The Atlas Salt Table can be used for massage and body treatments, or on its own for relaxation and rejuvenation.



IN COLLABORATION WITH:



BASE COLORS:



BAMBOO

VINYL COLORS:



WHITE



ALMOND



CAMEL



BLACK



Convenient cleaning drawer allows you to sanitize the table between treatments.



Professional-grade 220-watt heater rests under the salt, providing warmth and releasing the salt's healing negative ions.



Warming drawer keeps towels and heat transferring products warm and ready.

TOP:

Top design	Bamboo structure w/ woven, flexible mat supporting salt blocks
Drip tray	2 stainless steel drawers opening from top ends
Salt	100% Himalayan salt blocks
Standard size top	32" x 82"
FaceSpace	Mounting holes on one end for face cradle
Articulating top	Pedestal motors operate separately to elevate and tilt top

BASE & FRAME:

Bamboo cabinet	Two-drawer cabinet: one side stainless steel warming drawer w/ adjustable temperature, and one side standard storage drawer
Base	Bamboo base cover w/ sleek, contemporary design over white powder-coated steel base; dual-pedestal lift
Leg recess	11" recess from ends, 3" from sides
Height range	24" to 34.5" (infinite motorized adjustment)
Lifting weight	Lifting weight capacity 500 lbs.
Static weight	1000 lbs.

MESSAGE TOP:

Foam	2" medium-density layer of urethane polymer
Frame	Plywood frame
Massage top size	33.5" x 83.5"
UltraSoft-Touch upholstery	Lightly textured, super-soft vinyl, fabric backed

MOTORS & CONTROLS:

Main lift mechanism	Two 24 vDC, 5 amp max motor/actuator, UL Recognized
Control box	24 vDC, 8.50 amp max, UL Recognized
Controls	4-button hand control to raise, lower and tilt table height

GUARANTEES:

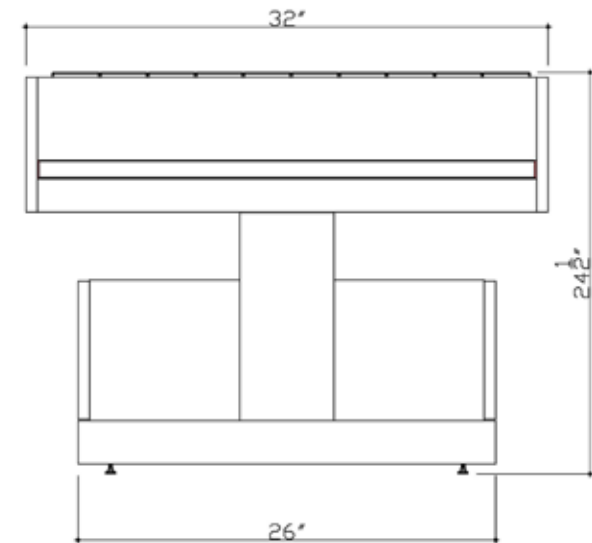
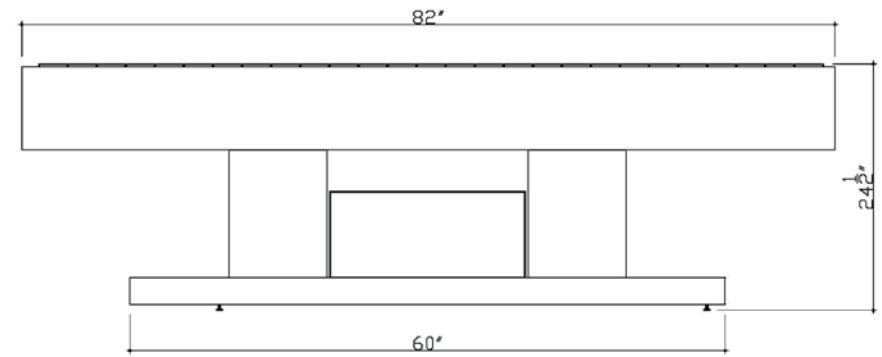
Structure	10 yrs. on replacement parts for frame/structure and 1 yr. on labor**
Motor & controls	2 yrs. on materials
Vinyl & foam	2 yrs. on materials
	**Labor warranty for customers in USA only

WEIGHTS:

Table weight	430 lbs. salt included
Shipping weight - boxed	730 lbs. salt included
Shipping dimensions	92" x 42" x 40"

REPLACEMENT BLOCKS:

Salt Table uses 280 blocks. Replacement kit includes 280.





SALT CAPSULE

#41014

The **Salt Capsule™** provides therapeutic and wellness benefits. Designed by architect Robert Henry, the Salt Capsule™ is the size of a standard shower - 3'x4' with a tempered glass door and two side-light glass panels. Users comfortably sit down, relax and read, meditate or listen to music. Dry Salt Therapy offers an effective way of using salt's natural antibacterial, anti-inflammatory and super absorbent properties to provide a variety of wellness and beauty treatments. Dry salt therapy absorbs and removes foreign toxins and substances from the respiratory system, opens airways and increases oxygen flow, improves the skin's micro-circulation, accelerates cell rejuvenation and improves skin health. Research has also shown that Himalayan salt crystals emit natural occurring negative ions that reduce stress and fatigue, while supporting a sense of well-being.

Features:

1. Signature Column: Halogenerator, Ventilation, Power, Music Connection
2. Hard Wood Floor, Ceiling + Walls
3. Back-lit Himalayan Salt Brick or Back-lit Image Wall
4. Tempered Glass Door
5. Himalayan Loose Salt Rocks

IN COLLABORATION WITH:



DESIGN:

Dimensions

Height - 86" Width 48" Depth 36"

FRAME:

Material
Door
Optional finishes
Seating

Engineered wood with laminate veneer
Tempered Glass
Custom-ordered laminate (12 weeks lead time)
Seating for two people

FEATURES:

Speakers, LED lighting, Back-lit salt wall

MOTORS & CONTROLS:

Electrical

Plugs into standard 110 VAC outlet
110 VAC Amp
LED lights back-light the salt wall

GUARANTEES:

Structure
Finish

1 year
1 year

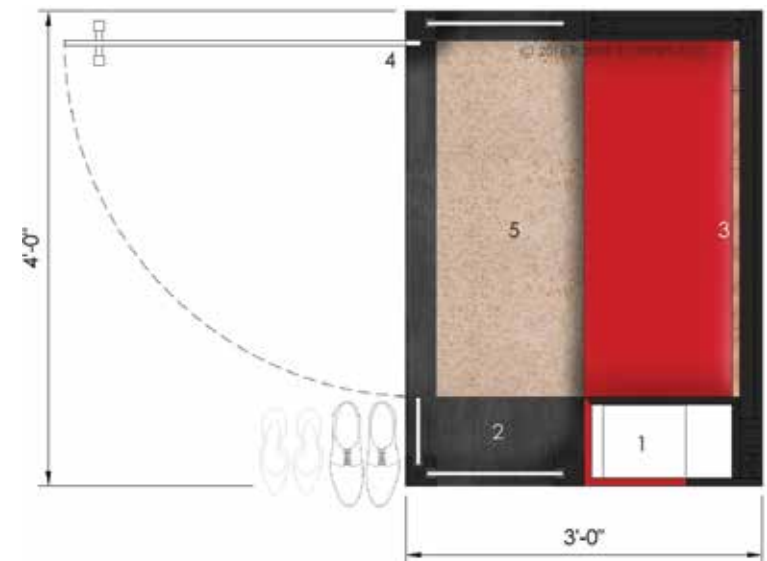
WEIGHTS:

Product weight
Shipping weight - boxed
Shipping dimensions

800 lbs w/salt wall
1000 lbs w/salt wall
84.65" 30" x 39.85"



MOTORS & CONTROLS



FLEX-BLOCK™ SALT LOUNGE

#31060

Cradled in healing comfort, experience the nourishing benefits of Himalayan salt while relaxing on the heated, ultra-comfortable Flex-Block™ Salt Lounge. Client lays directly on our innovative flex-top surface - Himalayan salt tiles that cushion and give way with the body for a comfortable, cradling feeling. With remote control, the motorized lounge moves easily from upright to a soothing zero-gravity position. Waterproof heater warms the salt tiles that release negative ions to improve respiratory and allergy issues, decrease anxiety, and more.



STANDARD BASE COLOR:



WENGE

(Custom finishes available)

OPTIONS & ADD-ONS:

Mani-Table #41059-02

Mani-Table w/Quartz-Stone Top #41059-04

So Sound® Vibrational Healing #31030-SO

IN COLLABORATION WITH:



Organic, 100% pure Himalayan salt squares flex for comfort while delivering health benefits.



Heated mat warms salt for maximum health benefits.



The Salt Lounger can be adjusted into an upright position.

TOP:

Top design
Materials

Unique, ergonomic design offers surprising comfort while lounging on warm Himalayan Salt block. Flex-top technology allows salt block to contour to the body while providing a healthy atmosphere. Ergonomically shaped to help release stress. 100% Himalayan Salt blocks on mesh nylon mattress

Top size 32.5" x 69"

BASE & FRAME:

Materials
Finish
Capacity
Tilt

Solid rubberwood
Wenge finish
Static weight capacity 450 lbs. Suitable for persons up to 6'4" in height
Motorized adjustment holds Lounge in any position

GUARANTEES:

Structure
Mesh fabric

1 yr. on frame/structure
2 yrs. on materials

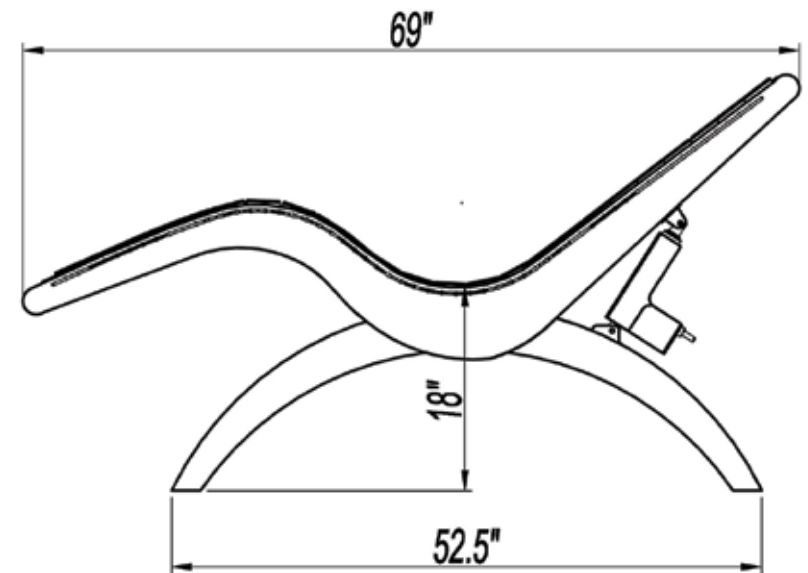
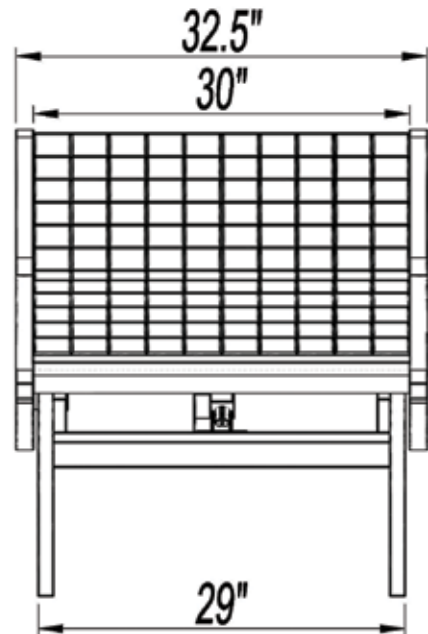
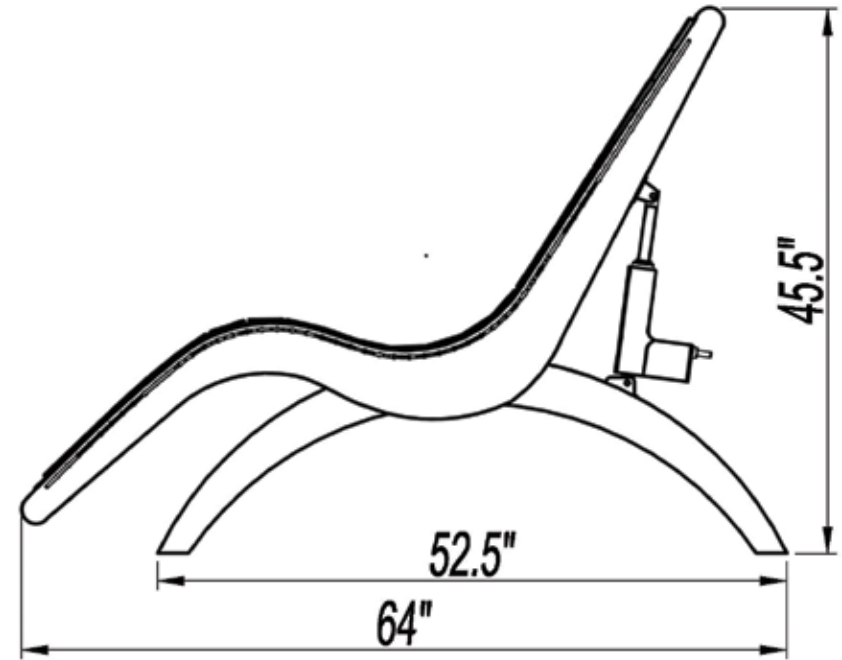
WEIGHTS:

Lounge weight
Shipping weight - boxed
Shipping dimensions

275 lbs. incl. salt blocks
340 lbs.
83" x 39" x 37"

REPLACEMENT BLOCKS:

Salt Lounge uses 240 blocks. Replacement kit includes 250.



HIMALAYAN SALT ENVIRONMENTS



Enhancing the guest experience with a Himalayan Salt Wall.

Saltability and Touch America help enhance the guest experience through the addition of a Himalayan Salt Wall. Featuring beautifully illuminated, hand-carved salt blocks, a Himalayan wall adds aesthetic value to your spa, but more importantly, it boosts guest health.

Generating Negative Ions to Enhance Health

In today's uber-connected world, computers, smartphones, microwaves and other electronics constantly emit positive ions – also known as “electric smog” – that can leave us feeling drained and down.

Excessive positive ions can also come from bacteria, mold and allergens. In comparison, the natural environment – such as nature's magnificent forests, beaches, and waterfalls – creates abundant negative ions. Pure Himalayan salt (derived from the Primal Sea) is filled with negative ions.

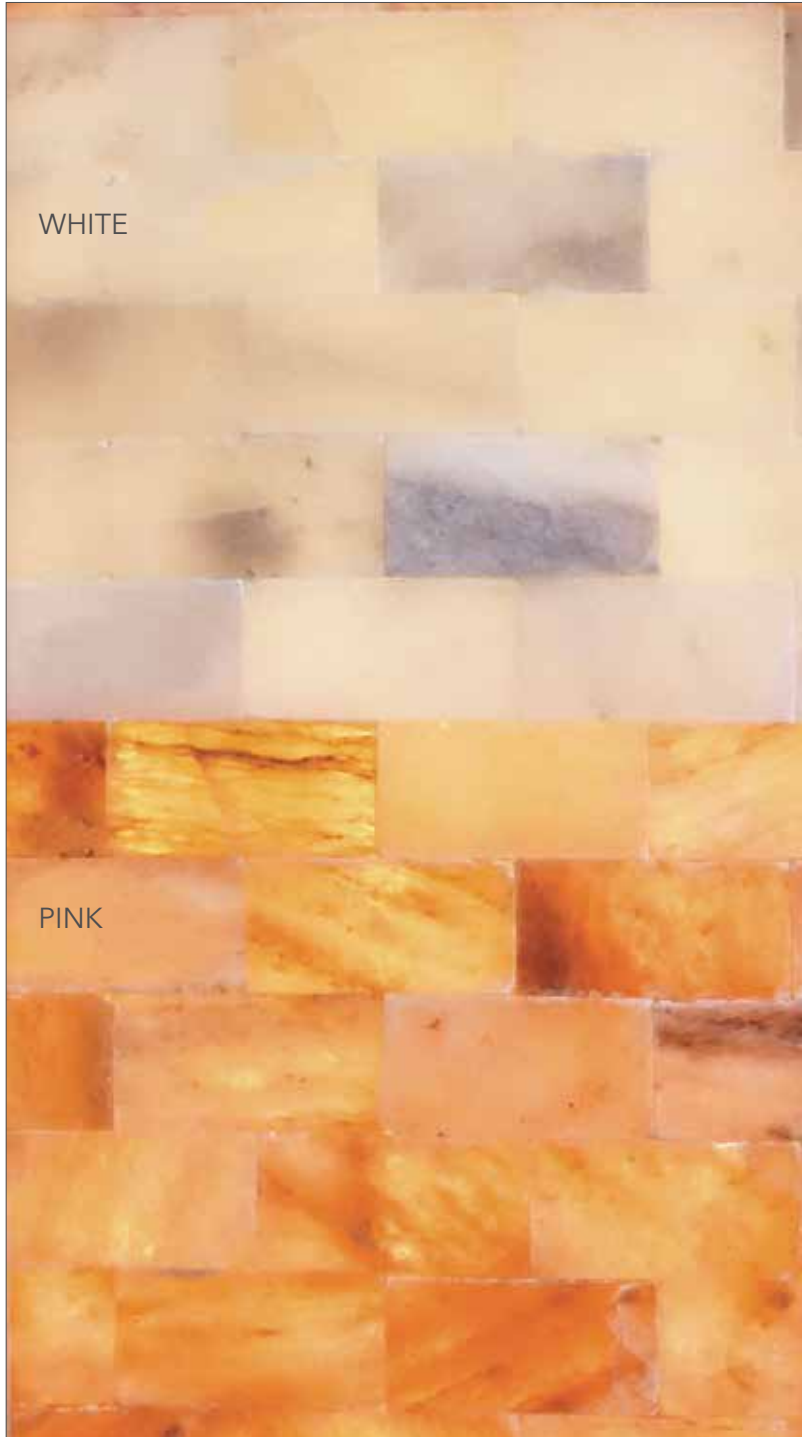
Gently heated, Himalayan salt serves as a natural ionizer, thanks to salt's hygroscopic properties. When heated, the Himalayan salt crystals attract moisture on the salt block surface, and as that moisture evaporates, negative ions are emitted.

The negatively charged ions from the heated Himalayan salt serve to purify the circulating air. Our bodies also reap numerous health benefits from the salt, including stress reduction, energy increases, and mood boosts at a biochemical level.

100% Pure Himalayan Salt | Certified Organic
Antimicrobial & Antibacterial

IN COLLABORATION WITH:





A LA CARTE SALT

Salt Walls

Call for custom pricing.



White 8"x4"x1" Himalayan Salt Brick
Available per piece or by the square foot.



Pink 8"x4"x1" Himalayan Salt Brick
Available per piece or by the square foot.



Pink 3" x 3" x 1" Himalayan Salt Squares
Available per piece



Salt Massage Stones (12 piece set)

performance and sophistication.



RETAIL FIXTURES & FURNITURE



Space is precious in any spa or salon. Our retail display options keep space and style in equal proportions to offer real solutions for increased retail revenue and beautiful display focal points.



BENTLEY RETAIL COLLECTION

TouchAmerica's **Bentley Retail Collection** is a stylish grouping of retail display furniture designed to boost retail sales. Developed in cooperation with Dr. Leon Alexander, author, speaker and designer of highly-productive retail environments, the Bentley Collection uses proven methods that enhance the customer's purchasing experience.



Freestanding Units

- Double-sided display
- 36" or 48" width
- 6 display shelves with back panels
- 4 storage drawers
- Optional: LED shelf display lights

Wall Displays

- 36" or 48" width,
- 3 display shelves with back panels
- 2 storage drawers
- Optional: LED shelf display lights
- Optional: Lightbox for logo display

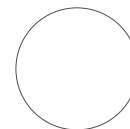
Window Display

- 48" display table on open frame and platform base
- Optional: LED lights in platform accent top

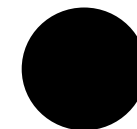
Launch Table

- 36" display table
- Two-door storage cabinet below table
- Optional: LED under mount display lights

COLOR OPTIONS:



WHITE



BLACK

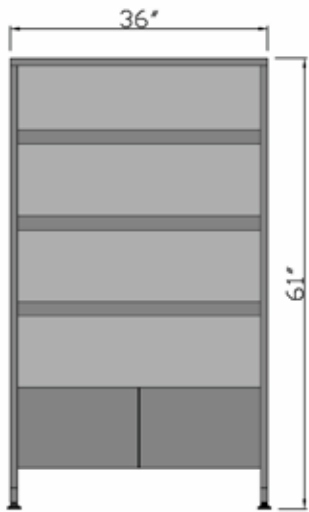


GREY

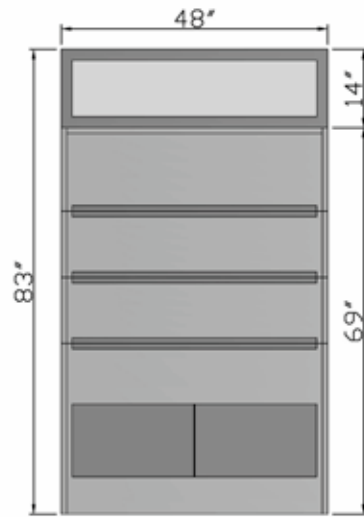


CUSTOM COLOR

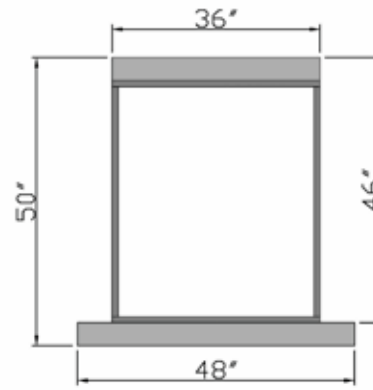
FREESTANDING UNIT



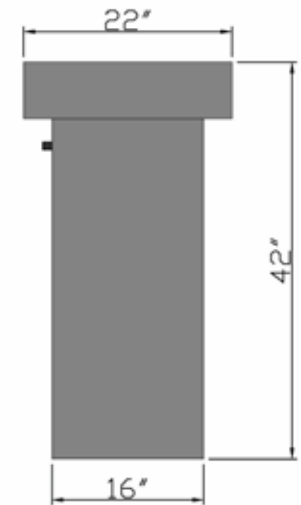
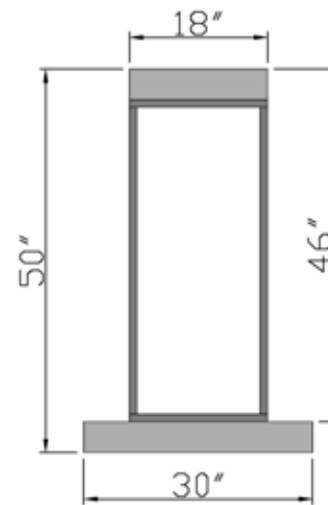
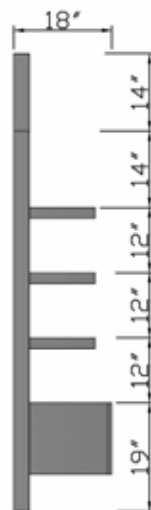
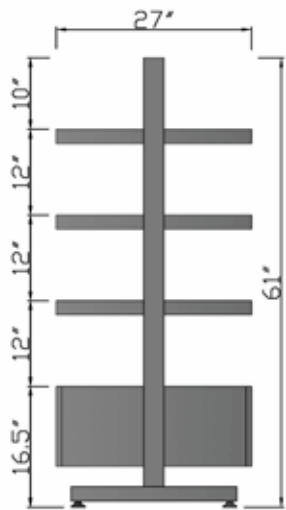
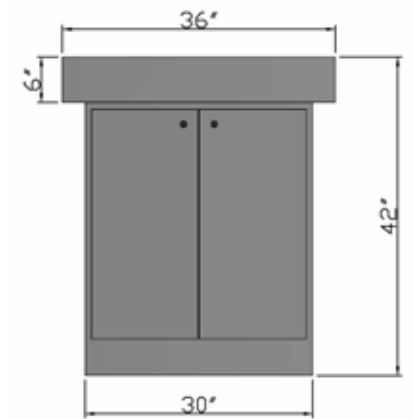
WALL DISPLAY



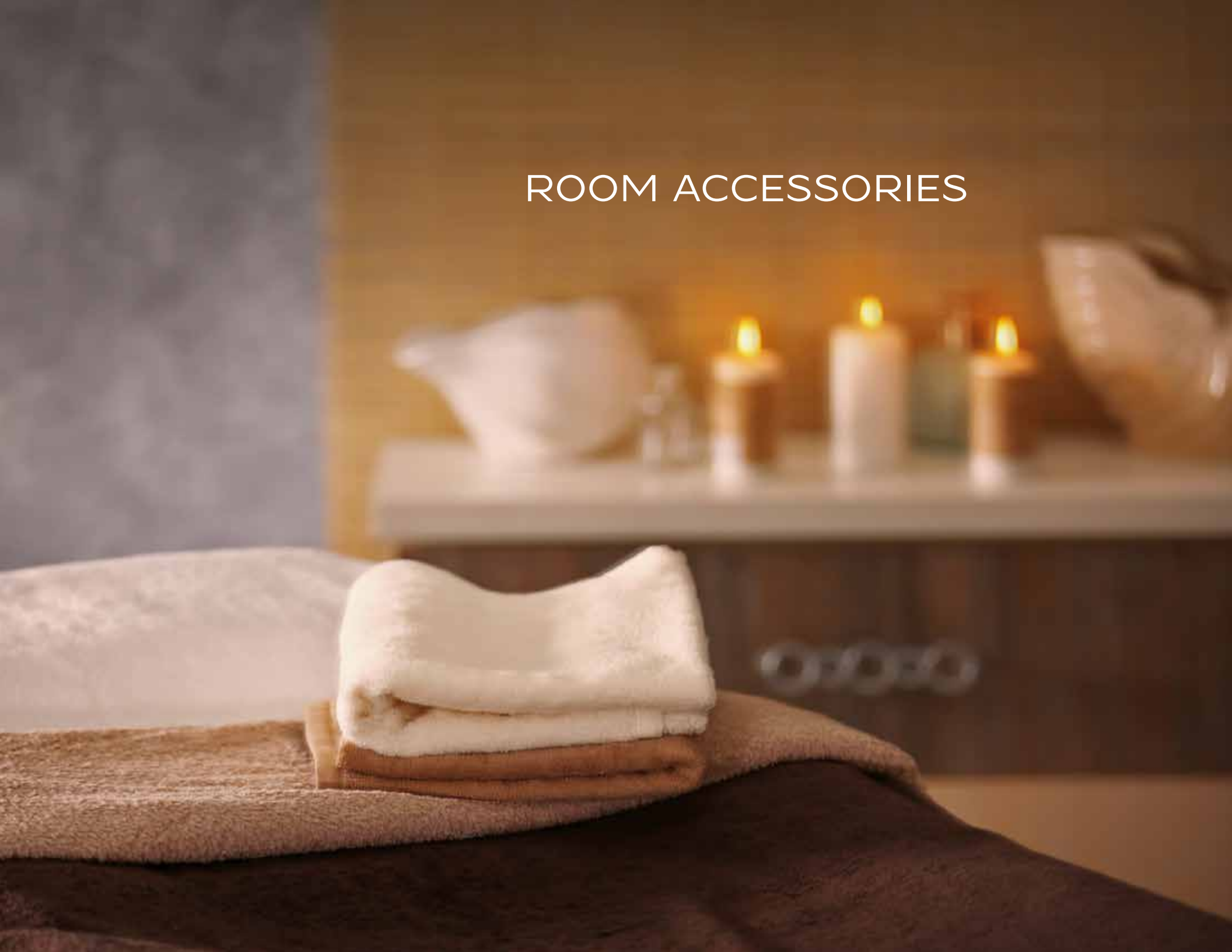
WINDOW DISPLAY



LAUNCH TABLE



ROOM ACCESSORIES





The solution to every storage problem is attractive, functional equipment that keeps tools and products in order beautifully. A treatment room is only as welcoming and relaxing as it is clean and organized, and we offer many options to make that happen with elegance and convenience.



MITRA SHIRODHARA SET

#72002-02

Our attractive MITRA Shirodhara Oil Set features solid beech wood, copper, and a sturdy base with locking casters. Whether you offer Shirodhara currently or are considering adding it to your menu, the stability, quality, and beauty of the Mitra's design makes it an attractive option. The hand-crafted solid copper Shirodhara vessel, collection bowl and pitcher will add an exotic spark to your room's decor. Rounding out the copper accents, a patterned copper band secures the two-piece beech pole, adding another touch of copper to distinguish the MITRA from ordinary shirodhara sets. The hanging vessel is fitted with an oil release and stop valve which is accurate and easy to operate. The weighted base with locking casters offers mobility with stability. The Mitra Shirodhara Set fills a void in the USA for an authentic, well-crafted Shirodhara stand.

If you are interested in other Shirodhara equipment, oils, or accessories, please contact TouchAmerica's customer service. The Mitra is imported from India and available to ship parcel within the US.



STANDARD
BASE COLOR:



CLEAR PU ON
SOLID BEECHWOOD

OPTIONS & ADD-ONS:

Set with clear PU on solid beechwood: 72002-02

Stand with copper vessel: 72003

Copper vessel only: 72007

Copper collection bowl: 72005

Copper pitcher: 72004



STAND CONSTRUCTION:

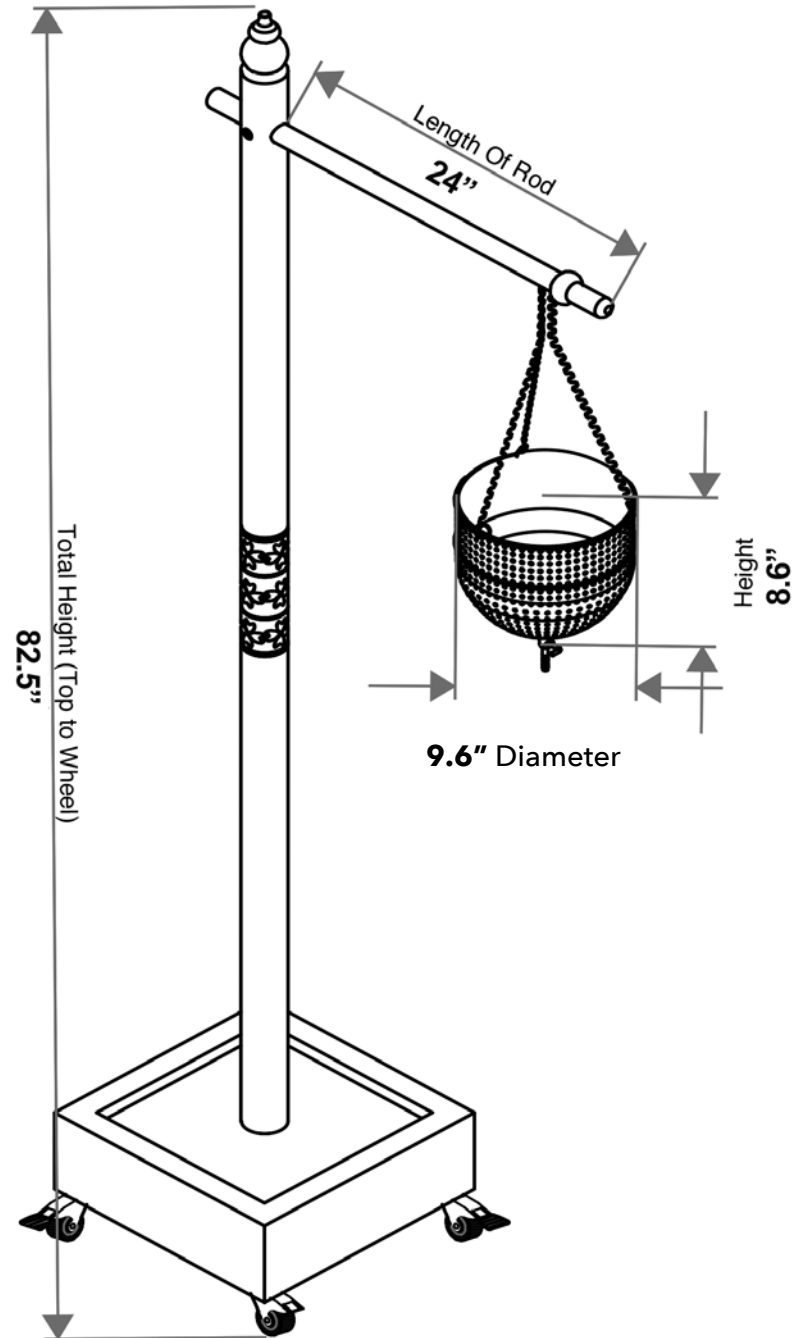
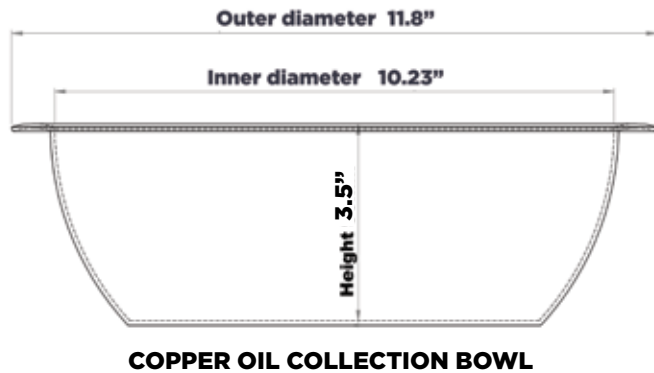
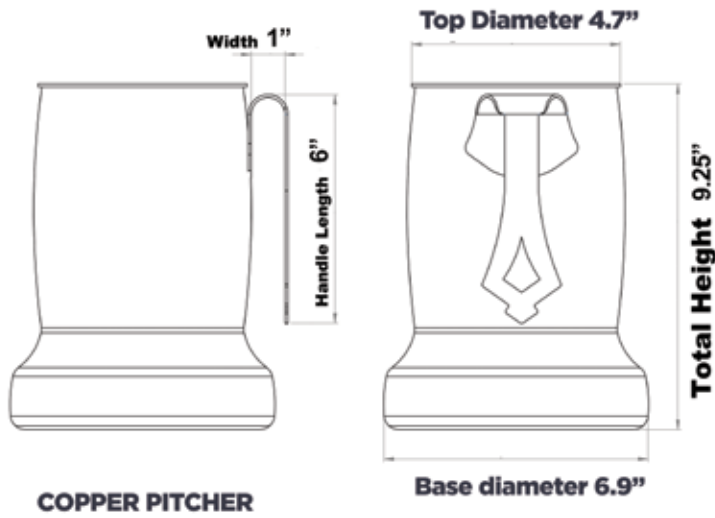
Frame: Solid beechwood with clear PU
Accents: Copper accents - hammered and cast
Base: (4) locking casters; base weighted for stability

GUARANTEES:

Structure: 5 years
Finish: 1 year

SHIPPING:

First box: 20" x 20" x 18" 27 lbs.
Second box: 35" x 8" x 8" 14 lbs.





PROSTOOL #31001

The **ProStool**'s design ensures unsurpassed comfort and reliability. A high-quality chrome base sits atop silky-smooth neoprene casters for effortless mobility. The adjustable back option supplies lumbar support and easy height adjustment to enhance postural alignment.



STANDARD BASE COLOR:



CHROME

(Low-Height ProStool has black cylinder.)

STANDARD VINYL COLORS:



WHITE ALMOND CAMEL BLACK

(Custom colors available)

OPTIONS & ADD-ONS: w/o Back #31001
Low-Height Option #31001-S

w/ Back #31002
w/ Back Low-Height Option #31002-S



Gas cylinder height adjustment



Adjustable backrest



Smooth neoprene casters

TOP:

Top design 15" diameter seat
Adjustments Adjustable height range from 19" to 25"; optional Low-Height 14.5" to 17.5"

VINYL:

Sturdy PVC
Vinyl color options Almond, Black, Camel, White

BASE:

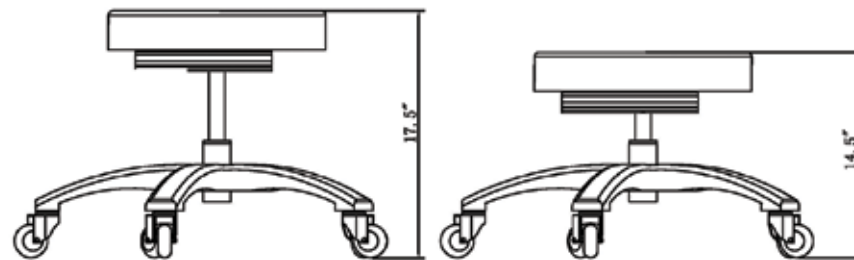
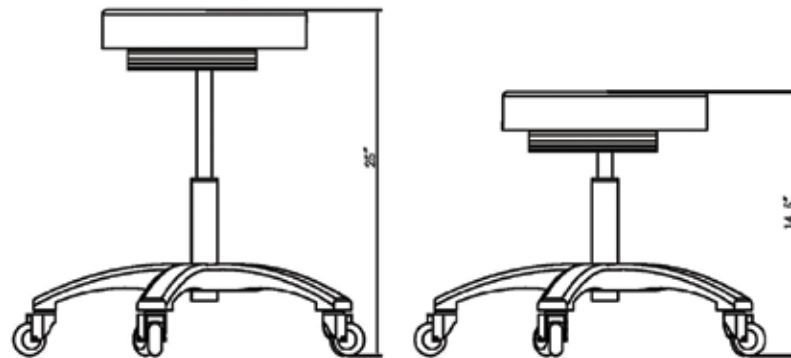
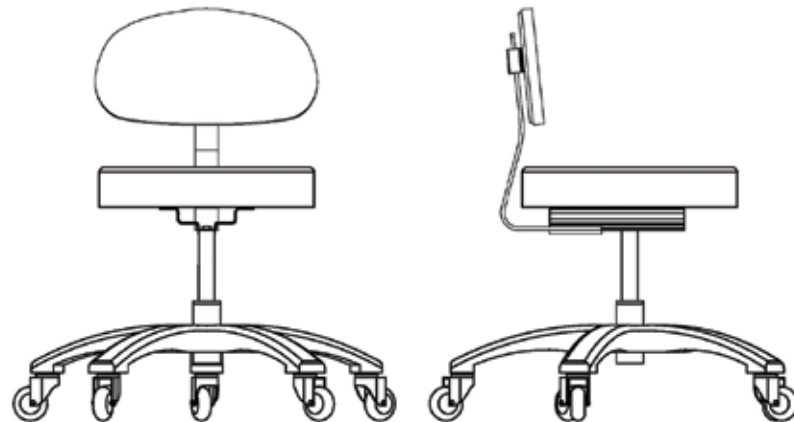
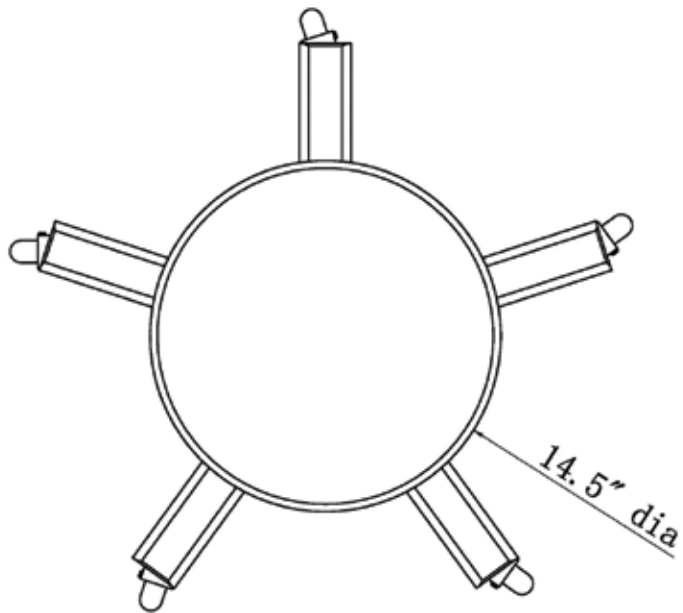
Base design Heavy-duty chrome base
Casters & wheels 5 swivel casters w/ neoprene wheels
Height range - standard 19" to 25"
Optional Low-Height 14.5" to 17.5" with BLACK cylinder, instead of chrome
Height adjustment Hydraulic pump
Capacity 250 lbs.
Base diameter 23"

GUARANTEES:

Structure 1 yr.
Foam & Vinyl 1 yr.

WEIGHTS:

Stool weight 17 lbs. (no back), 20 lbs. (stool with back)
Shipping weight - boxed 23" x 23" x 9"; 22 lbs. (no back), 25 lbs. (stool with back)





MEDI-SPA SERVICE CART™ #41048

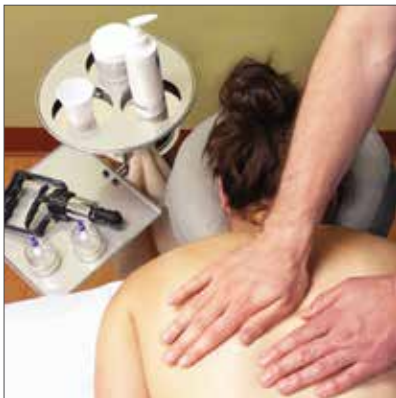


Patented and Patents Pending

The **MEDI-SPA™ Service Cart** is a patented cart/workstation that fits in almost any workspace. Constructed of lightweight stainless steel, this cart is not only easily portable, but also dependable, strong and sturdy. Its intelligent design allows easy access to the specialized tools of the trade. Versatile enough to be effective in a variety of applications, the MEDI-SPA™ Service Cart design can be specially adapted for efficient use by medical professionals, massage therapists, and bodywork practitioners.

STANDARD BASE COLOR:

Black plastic 5-pronged star wheel base with stainless towel hook on adjustable stem.



Easy access to needed materials and devices during sessions



Portable and easily movable with adjustable height for your convenience



Multi-level, mixed-use surfaces with convenient towel hook

TOP:

Top design

- Three removable stainless steel trays
- * 9.75" dia. x 2" h top tray with removable lid containing three 3.75" holes
- * 7" dia. X 4.5" h stainless bucket tray
- * 11.75" w x 4.25" d x 2" h rectangular stainless tray

Top adjustments

- Stainless towel hook on adjustable stem
- Height adjustable from 22" to 37"

Top adjustment mechanism

- * Three section adjustable tube with knob and twist lock

BASE & FRAME:

Base

- * 5-leg black plastic base

Wheels

- Locking swivel dual plastic wheels

Height range

- 22" to 36"

Capacity

- Static weight capacity 75 lbs.

- * - removable

OPTIONAL ACCESSORIES:

- Stainless cups for top tray
- Travel Bag from black woven nylon

GUARANTEES:

Structure

- 1 yr. on replacement parts for frame/structure

WEIGHTS:

Cart weight

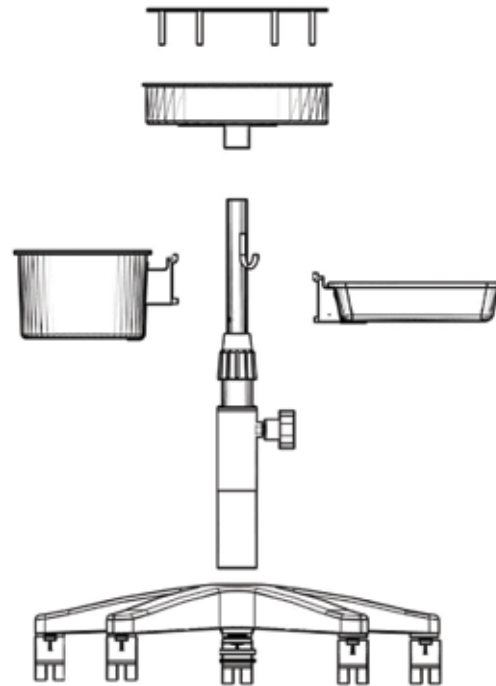
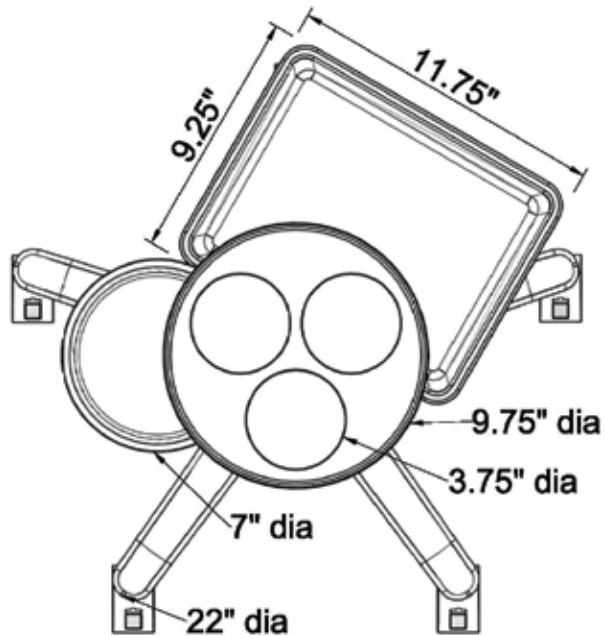
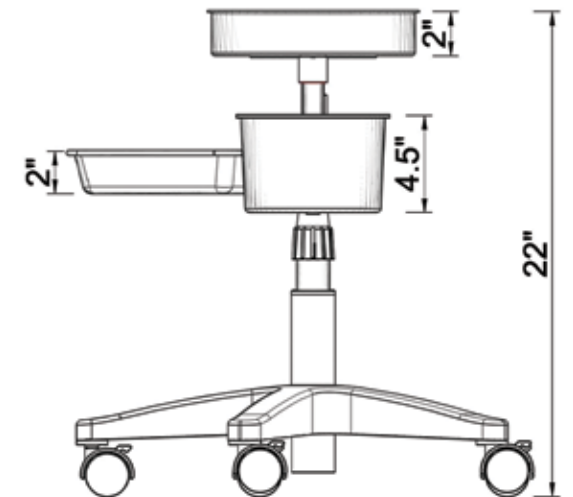
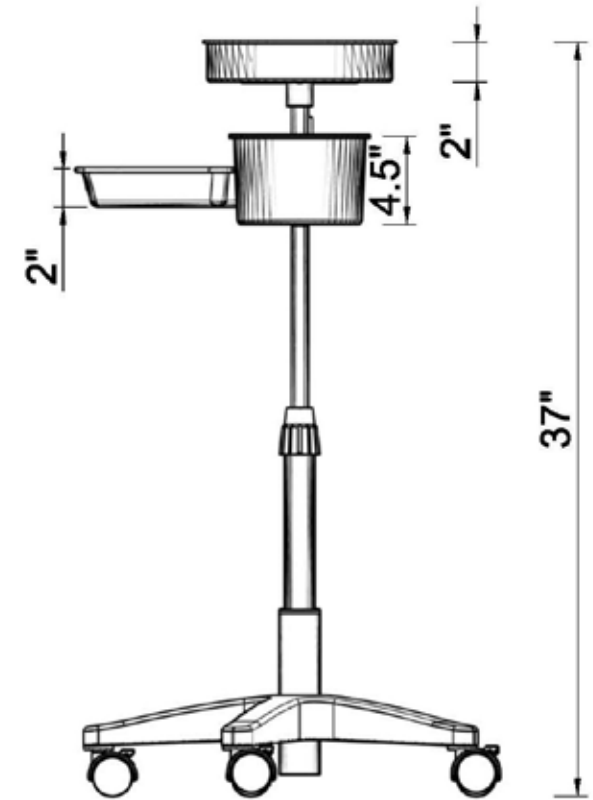
- 12 lbs.

Shipping weight - boxed

- 14 lbs.

Shipping dimensions

- 24"L x 22"W x 6"H



UNIVERSAL TROLLEY

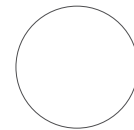
#41060



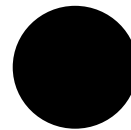
Space for hot towel cabi keeps everything right at your fingertips.

This multi-functional, beautifully-crafted cart serves up spa services with a touch of grace. We designed the cart to be a technician's dream. A stainless-steel wax compartment hides beneath a sliding shelf, complete with a removable steel cover-tray, making cleanup a breeze. The integrated tip-out rubbish bin is complemented by a removable plastic-bag holder, perfectly positioned for disposal of wax strips. For hot towels on the move, a built-in cabi compartment rides along. Need dry towels? Those are also along for the ride, as well as the storage shelves. A universal mag-lamp mount comes standard. Please inquire about optional steamer mount. Drawers above the hot towel cabi compartment were designed to hold your tools-of-the-trade. Upon arrival, use the locking casters to park your cart and you're ready to start. This is one smooth cart!

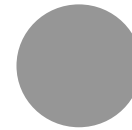
STANDARD BASE COLOR:



WHITE
#41060-WHT



BLACK
#41060-BLK



GRAY
#41060-GR

OPTIONS & ADD-ONS:

#34007 - Hot Towel Cabi



Top shelf slides aside to reveal a stainless steel tray underneath. Tip-out rubbish bin with removable plastic trash bag holder makes it easy to empty between treatment.



Universal trolley shown here with our MESA table - the perfect duo for a super-contemporary, super-efficient treatment room.

CART CONSTRUCTION:

Frame: MDF with white lacquer
Accents: Stainless Steel
Casters: (4) 3" Swivel locking casters

ACCESSORIES:

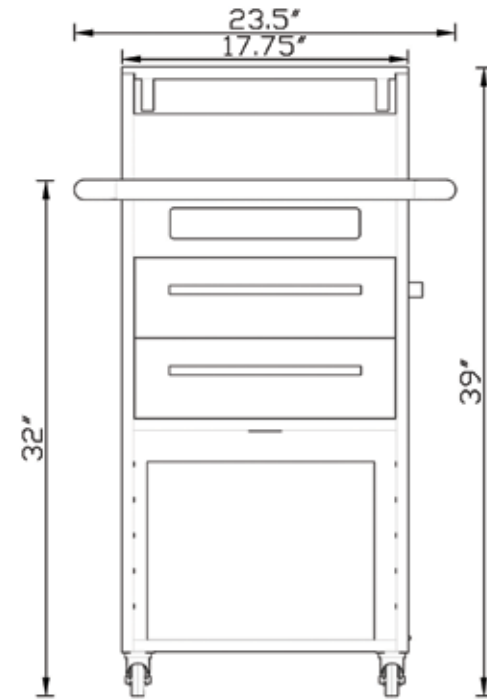
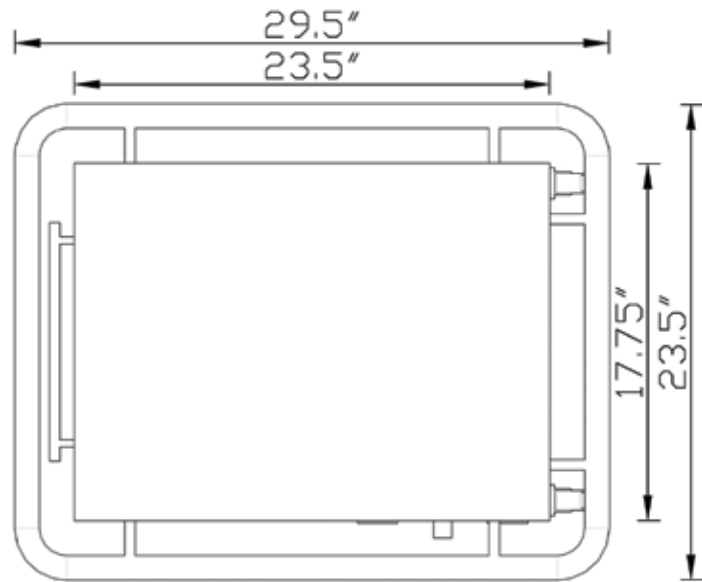
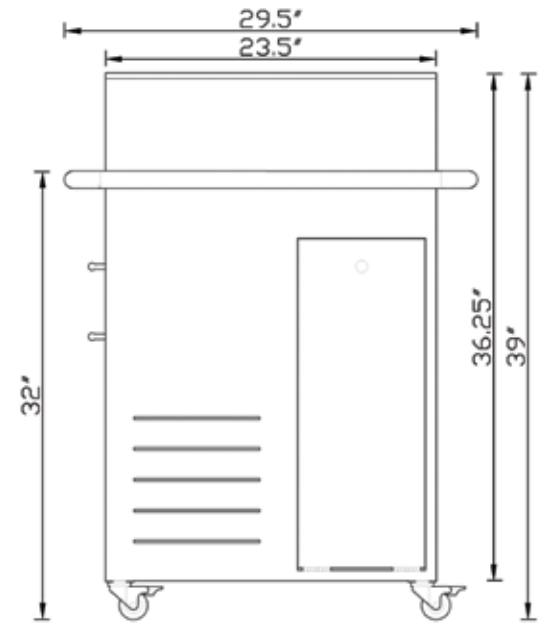
Hot Towel Cabi: TouchAmerica small 34007 cabi /exterior dim - 13.75"W x 10.25"H x 11"D / interior dim -10.5"W x 5.5"H x 7.25"D
Wax Pot Heater: Designed to house the Thermal Spa Elite Double Depilatory Wax Warmer
Plastic Trash Bag Holder: Removable plastic trash bag holder is included in the tip out
6-foot surge protector: Cord exits the cart from the underside
Facial steamer arm: Optional facial steamer mount and arm can be added to this cart.

GUARANTEES:

Structure: 1 year

WEIGHTS:

Cart weight: 83 lbs
Shipping weight: 105 lbs
Shipping dimensions: 25" x 46"H x 34"D





TIMBALE CART



Attractive and functional, the **Timbale** rolling cabinet is easily moved for convenient use in treatment rooms. Stainless steel top, stainless steel pull-out work shelf, full extension drawer, and cabinet with adjustable shelf. Attractive wood veneer will complement any decor. Locking casters.

- Maple, Cherry or Wenge veneer
- Large, locking casters
- 24"W x 30"H x 17.5"D exterior
- 18"W x 19"H x 15"D interior
- Product weight: 85 lbs.
- Shipping weight: 120 lbs. on pallet
- One year warranty

STANDARD BASE COLORS:



CHERRY WENGE MAPLE

OPTIONS & ADD-ONS:

- Timbale Cart w/ SS Top (Maple) #41042
- Timbale Cart w/ SS Top (Cherry) #41046
- Timbale Cart w/ SS Top (Wenge) #41045

(Custom finishes available)



Stainless steel pull-out shelf offers an additional work surface.



Ample storage space for linens, towels, and products.



Heavy duty locking casters easily roll over thresholds.



TEAK SERVICE CART

TouchAmerica's **Teak Service Trolley** is constructed from beautiful, solid teak wood. It is designed to withstand the demands of outdoor use around pools and by the ocean. Three shelves offer convenient space for equipment or supplies and the top shelf has three stainless steel cups to make traveling with lotions and oils easy. Durable plastic swivel casters and clever handles make mobility easy. This service cart is ideal for cruise ships.

STANDARD BASE COLOR:



TEAK

OPTIONS & ADD-ONS:

With drawer # 41095-GT

Without drawer #41096-GT



TEAK SERVICE CART

Frame	Solid teak wood
Finish	Clear PU lacquer finish
Wheels	2.5" rubber tread, swivel wheels, two wheels with locks

STORAGE:

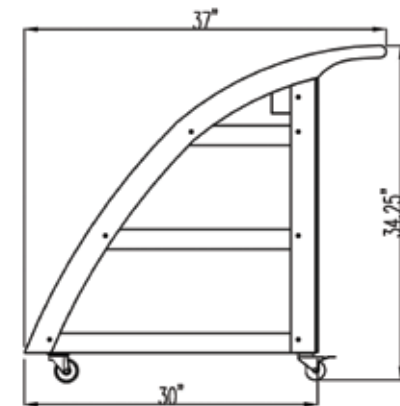
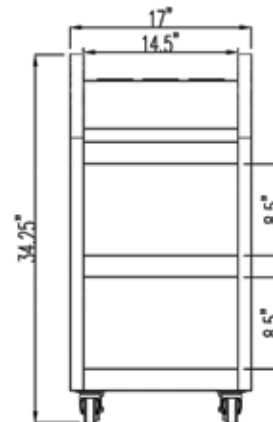
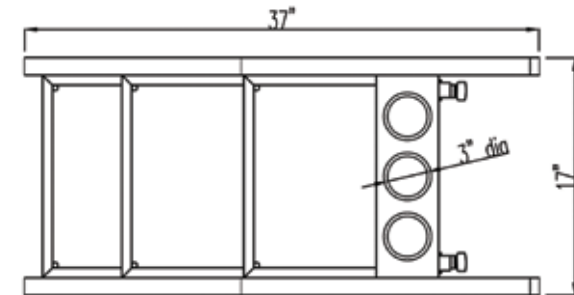
Shelves	3 fixed storage shelves
Cups	3 stainless steel, removable cups above top shelf

GUARANTEES:

Structure	1 yr.
-----------	-------

WEIGHTS:

Weight	50 lbs.
Shipping weight-boxed	65 lbs. Boxed dimensions 36" x 39" x 21"





Standard size cabi

TouchAmerica's **Hot Towel Cabis** are some of the best towel warmers on the market, and the perfect companion for spa and bodywork treatments. Moist towels placed in the Hot Towel Cabi come out perfectly heated. Your clients will cherish the soothing comfort.

- Safety switch prevents overheating
- UV sterilizer
- 2 convenient sizes
- Fold down door for ease of access and cleaning
- Removable drip tray
- Attractive stainless steel finish
- Built with totally non-corrosive materials
- One year warranty

STANDARD HOT TOWEL CABINET

#34006

STANDARD HOT TOWEL CABI WITH UV STERILIZER*

Design	Contemporary design, silver metallic color, pull-down door
Dimensions - exterior	17.75"W x 14.25"H x 11"D
Dimensions - interior	14.5"W x 9.75"H x 7.25"D
Capacity	18 liters, with two wire baskets (holds approximately 20 hand towels)
Temperature	158-170° F operating temp. range (not user adjustable)
Electrical requirements	1.5 amp / input power 250 watts
UV bulb	10v, 3 watt, tubular bulb style, E17 screw-in base, germicidal UV**
Materials	Heat-resistant plastic exterior, aluminum interior w/ two wire baskets. *UV provides sanitizing and is not suitable for sterilizing medical equipment **Order replacement UV bulbs from TouchAmerica; not available otherwise

WARRANTY:

Structure	1 yr.
Electrical components	1 yr.

WEIGHTS:

Actual weight	Standard - 13-1/2 lbs.
Shipping weight - boxed	20"Lx15"Wx17"H Standard - 16 lbs.



SMALL HOT TOWEL CABINET

#34007

SMALL HOT TOWEL CABINET WITH UV STERILIZER*

Design	Contemporary design, silver metallic color, pull-down door
Dimensions - exterior	13.75"W x 10.25"H x 11"D
Dimensions - interior	10.5"W x 5.5"H x 7.25"D
Capacity	7.5 liters with a single wire basket (holds approx. 10 hand towels)
Temperature	158-170° F operating temp. range (not user adjustable)
Electrical requirements	1.1 amp / input power 130 watts
UV bulb	10v, 3 watt, tubular bulb style, E17 screw-in base, germicidal UV
Materials	Heat-resistant plastic exterior, aluminum interior w/ one wire basket

*UV provides sanitizing and is not suitable for sterilizing medical equipment
 **Order replacement UV bulbs from TouchAmerica; not available otherwise.

WARRANTY:

Structure	1 year
Electrical components	1 year

WEIGHTS:

Actual weight	Small - 9 lbs.
Shipping weight - boxed	17"Lx14"Wx13"H Small - 12 lbs,



Small size cabi

TouchAmerica's **Hot Towel Cabis** are some of the best towel warmers on the market, and the perfect companion for spa and bodywork treatments. Moist towels placed in the Hot Towel Cabi come out perfectly heated. Your clients will cherish the soothing comfort.

- Safety switch prevents overheating
- UV sterilizer
- 2 convenient sizes
- Fold down door for ease of access and cleaning
- Removable drip tray
- Attractive stainless steel finish
- Built with totally non-corrosive materials
- One year warranty





HIMALAYAN SALT FRAME



Himalayan Salt has long been acclaimed for its unique healing properties. TouchAmerica's Himalayan Salt Frame makes it easy to add this healing feature to a home, office or wellness facility. This innovative system is ideal for adding to a sauna where dry heat activates the Himalayan salt blocks, transforming them into ionizers. Wellness is enhanced with an abundance of ions that support the respiratory and immune systems.

Himalayan Salt is beautiful, especially when lit. Our frames come with an LED rope light to backlight the salt and add beauty to its natural healing properties. We designed our Himalayan Salt Frame system to be easy to install, requiring no special tools or skills.

IN COLLABORATION WITH:



SIZES:

29.25" W x 20.75" H - 12 Salt Blocks
 29.25" W x 17" H - 9 Salt Blocks
 (Custom sizes available)

WARRANTY:

2 Year Structural Warranty

 1 Year Warranty on LED lighting and electrical components.

 Replacement salt blocks available.

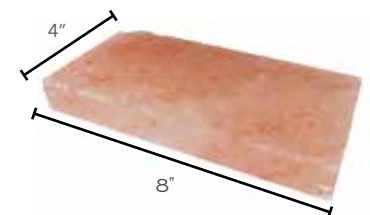
SHIPPING & ASSEMBLY:

12 Block Frame Unit
 Box Size: 31.75" W x 23.25" H x 4.5" D
 Shipping Weight: 70 lbs

9 Block Frame Unit
 31.75" W x 19.5" H x 4.5" D
 Shipping Weight: 60 lbs.

ELECTRICAL:

1/2 in. - 120 Volt - LED - Rope Light (1) 5 ft. Rectifier Power Cord with Plug - Warm White





SIGNATURE SPA EQUIPMENT





Our signature collection, designed by award-winning Manhattan architect Robert Henry, is exclusive to TouchAmerica, and gives maximum versatility to spas with minimum space. A sleek day bed becomes an incredibly comfortable massage table, and a portable cart holds steamer, mag lamp and every accessory necessary for any treatment.

SIGNATURE EQUIPMENT



MASQUERADE

Classic #41086-XX
 Contemporary #41085-XX



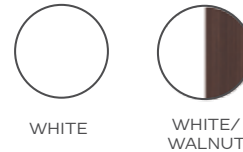
The ultimate in comfort and design, the ingenious **Masquerade** converts from a day bed into an ultra-comfortable spa treatment table with the push of a button. This first-of-its-kind piece can easily be converted by the therapist from a day bed into a height-adjustable massage table. Now available in Classic and Contemporary models. Developed in collaboration with:



Above: Classic
 Below: Contemporary
 Custom designs available



STANDARD BASE COLORS:



WHITE

WHITE/
 WALNUT

STANDARD VINYL COLORS:



WHITE

ALMOND

CAMEL

BLACK

OPTIONS & ADD-ONS:

- Custom designs, fabrics, and finishes available
- Backrest can be ordered to attach on either side
- Motorized lift to engage casters, allowing one to roll the bed away from the backrest or wall



Backrest disengages via hidden latch.



Bluetooth remote acts as a key; only the therapist can control the motors.



Dual pedestal lift system is powerful yet whisper quiet.

TOP:

Top design
Standard size top
Foam

One-piece seat/massage top, bolster cushions included
29" x 73"
2" firm bottom layer + 1- 3/4" medium-density layer of urethane polymer
1/2" fluffy polyester Dacron top layer
3/4" plywood frame with holes for face cradle
Included

BASE & FRAME:

Exterior base
Armrest/Backrest
Mechanical base
Height range
Lifting weight
Capacity
Controls
Electronics

Painted wood or laminate, color optional
L-shape wood or laminate, removable, storage from front and side
Twin anodized-aluminum pedestals on steel base with retractable wheels
21" - 35"
Lifting weight capacity 600 lbs.
Static weight capacity 1000 lbs.
Handheld control
UL-recognized and CE-approved, 120/240 VAC

VINYL:

UltraSoft-Touch Vinyl
Standard colors
Custom color

Lightly textured, super-soft vinyl, fabric backed
Camel, Almond, White or Black
By request

GUARANTEES:

Structure
Motor & controls
Vinyl & foam
Structure

1 yr. on replacement parts for frame/structure.
2 yrs. warranty on materials for mechanical/electrical parts
2 yrs. on materials
10 years

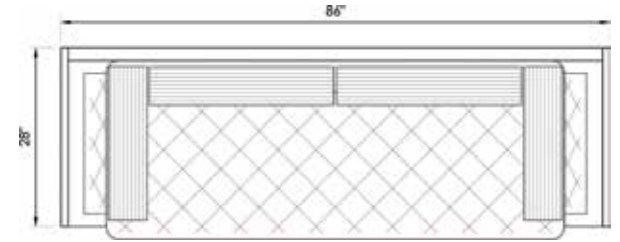
WEIGHTS:

Contemporary table wt.
Shipping wt. - boxed
Classic table wt.
Shipping wt.- boxed

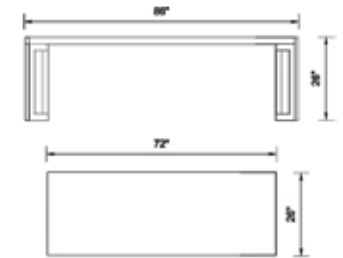
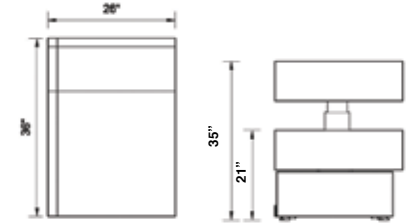
280 lbs.
336 lbs.
380 lbs.
436 lbs.

Shipping dimensions

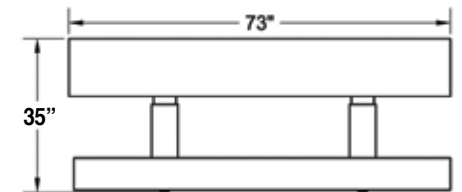
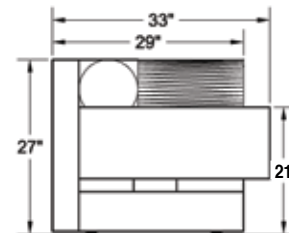
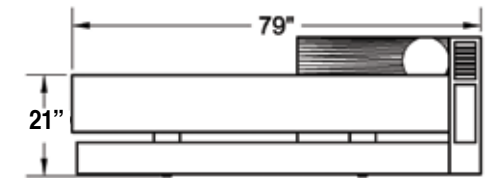
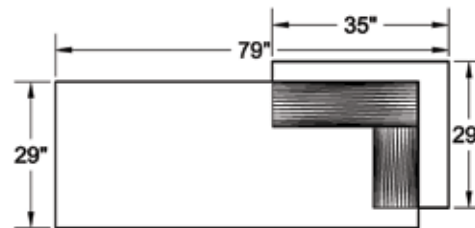
83"L x 39"W x 37" H



The Classic



The Contemporary



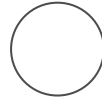


CONCIERGE #41087

The stylish **Concierge** by Robert Henry travels easily, making it possible to provide a multitude of services at any location. Equipped to facilitate manicures, pedicures, makeup applications, waxing and facials, your guests will be pleased to see this cart roll up. The Concierge includes a warming drawer, attachments for mag lamp and steamer, pull-out manicure table, retractable power cord and ample storage for supplies. Designed to partner with the Masquerade, the dual pieces are ideal for hospitality or residential use.



STANDARD BASE COLORS:



WHITE



WHITE/
WALNUT

OPTIONS & ADD-ONS:

- Steamer and Mag Lamp sold separately. Standard mounts for the steamers and mag lamp are easy to use.



Heavy duty locking casters easily roll over thresholds.



Equipped with a stainless steel warming drawer and pull-out manicure table/shelf.



Includes attachments for mag lamp and steamer.

TOP:

- Finish
- Warming Drawer
- Storage Drawers
- Manicure Shelf
- Bottle Well
- Shelves
- Wheels
- Mag Lamp Mount
- Facial Steamer Mount

Colored lacquer, or laminate, or combination; determined by selected options

Stainless steel interior, 120 VAC, thermostat control 100°F-150°F

Two melamine interior drawers w/ full extension guides

Pull-out 24" manicure shelf or work surface, stainless steel surface

18" x 10" with stainless steel bottom

Two fixed storage shelves on end

Four full-swivel, locking wheels, rubber tread, 4" diameter

Standard 1/2" metal grommet installed in top

Articulating arm with two pivot points for easy steamer positioning

Fits standard steamer mounting stem; removable if not needed

Mag Lamp and Facial Steamer not included

Retractable cord power strip, 120 VAC, UL approved

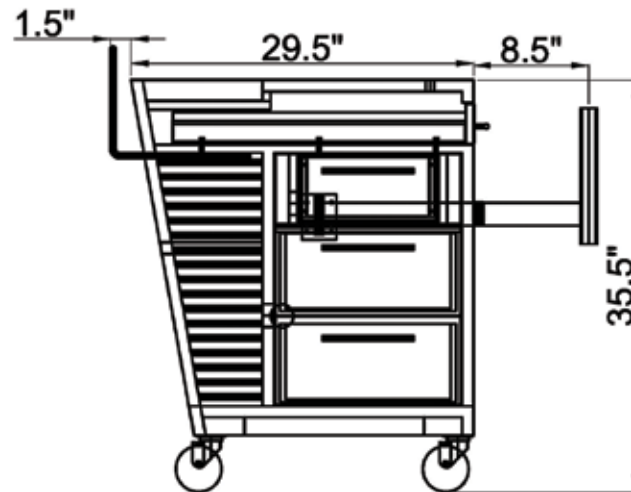
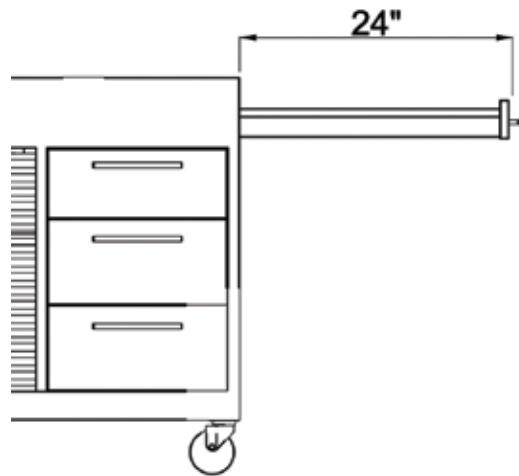
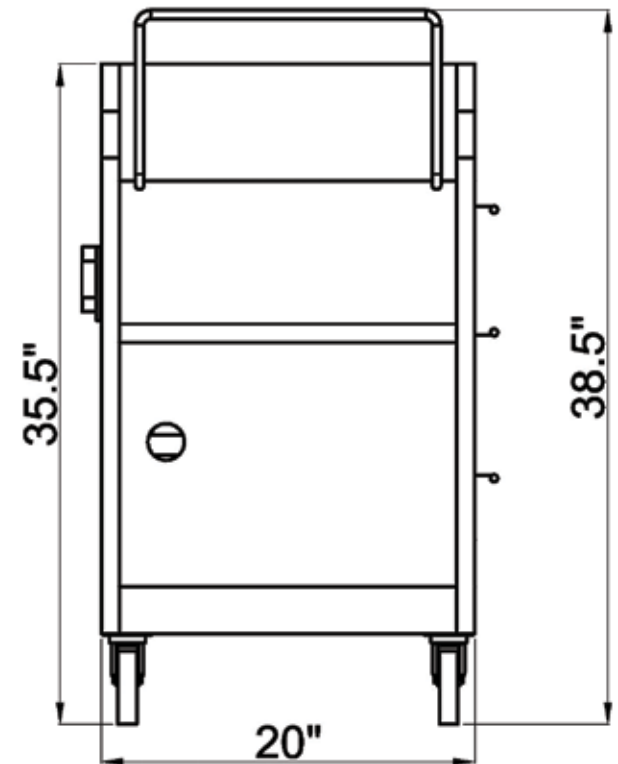
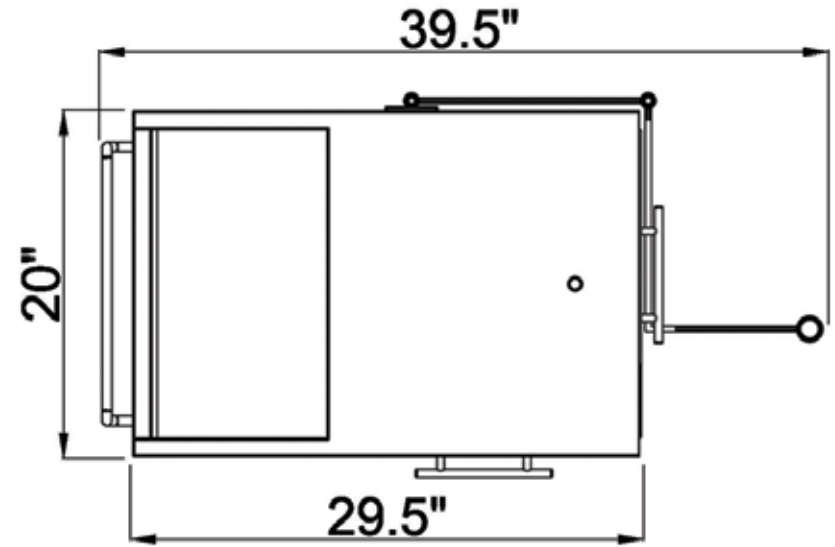
Power Supply

GUARANTEES

- Structure 1 yr. on replacement parts for frame/structure.
- Electrical 1 yr. on electrical/mechanical parts

WEIGHTS

- Cart weight 185 lbs.
- Shipping weight - boxed 264 lbs.





COLOR & FINISH OPTIONS



Decor is an essential part of spa presentation, and has a direct impact on the client's overall experience. TouchAmerica offers a wide selection of finishes, vinyl colors and other materials to create your ideal environment.

CUSTOM OPTIONS



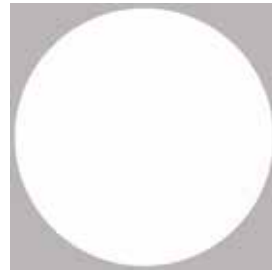
UPHOLSTERY



BLACK BEAN



CELESTE



CLOUD



CRIMSON



FLAN



FLAXSEED



FUCHSIA



INDIGO



JESSAMY



LEEK



MILK CHOCOLATE



OCHRE



OLIVEROUS



PECAN SHELL



PUMICE



SADDLE



SANGUINE



SHALE



TAN



TANGELLO



TEAK



WHITE

Please contact your distributor for pricing on any of the following custom options.

ULTRA-SOFT TOUCH VINYL

This anti-microbial polyester backed vinyl is our standard upholstery choice. Now available in more colors. Please note, these color options require a 6 week lead time.

CUSTOM OPTIONS



UPHOLSTERY



ADMIRAL



ADOBE



BRICK



CYAN



EUCALYPTUS



FUDGE



GRANITE



HOT CHOCOLATE



NILE



ORCHARD



OYSTER



PAPYRUS



PECAN



PLUM



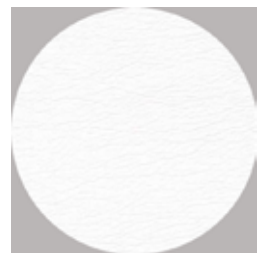
RAVEN WING



STONE



WALNUT





WHITE


ULTRALEATHER

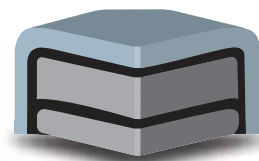
This well-known fabric is an industry favorite. 100% reinforced rayon backing provides a silky smooth durable option. This upholstery requires a 6 week lead time.

UPHOLSTERY THICKNESSES

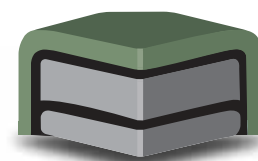
Standard Foam Core 
 .5" Ultra Soft Top Layer
 2" Medium Density Layer
 1.5" Firm Base Layer

Memory Foam Option 
 .5" Memory Foam Topper
 2" Memory Medium Density Foam Layer
 1.5" Firm Base Layer

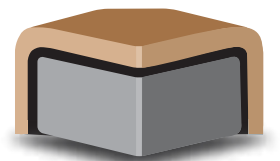
Firm Option 
 .5" Ultra Soft Top Layer
 3" Firm Base



STANDARD FOAM CORE



MEMORY FOAM OPTION



FIRM OPTION

CUSTOM OPTIONS



BASE FINISHES - Wood Veneer



WALNUT 09-WA-C



CHERRY 9-CH-H



DARK ZEBRAWOOD 14-ZB-A



CLEAR BAMBOO 9-BL-H



CLEAR ZEBRAWOOD 9-ZB-A



DARK WILLOW 14-WI-F



STRIPED BAMBOO 9-BS-H



CLEAR MAPLE 9-MP-H



DARK BAMBOO 14-BD-F



BLACK LACQUER
BK-MDF-D



WHITE LACQUER
WH-MDF-D

WOOD VENEER

All of our wood veneer is FSC certified. We hand pick our veneers to ensure quality. Please contact your distributor for information on architectural grade veneers. Contact your distributor for pricing.

BASE FINISHES - Stained Rubberwood



MAHOGANY 7-RU-E



TEAK 16-RU-F



NATURAL CHERRY 6-RU-F



BLACK OAK 18-RU-F



AGED CHERRY 2-RU-E



WALNUT 19-RU-F



WENGE 14-RU-F



ROSEWOOD 4-RU-E



WHITE MAPLE 8-RU-E



NUTMEG 5-RU-E



ESPRESSO 0-RU-E

STAINED RUBBERWOOD

Rubberwood is a completely sustainable, cost effective veneer option. We can create a custom stain if needed. Simply send us an example and we'll formulate a custom stain to match your sample.

CUSTOM OPTIONS



BASE FINISHES - Metal



BRUSHED STAINLESS STEEL
B-S-S



STANDARD POWDER COAT
GREY P-C-7



STANDARD POWDER COAT
BLACK P-C-B



STANDARD POWDER COAT
WHITE P-C-W

CONTROL OPTIONS



Bluetooth Remote
(Available on certain
table models)



Hand Control
(Available in 8, 6,
4, and 2 button options)



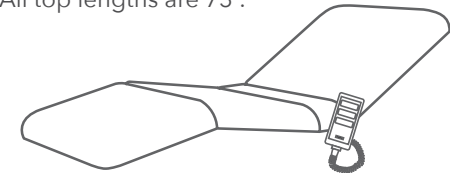
Foot Control
(Available in 8, 6,
4, and 2 button options)



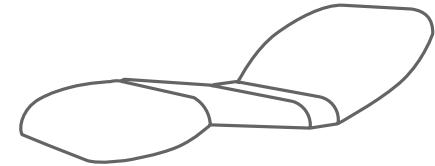
Battery Powered
Height Adjust
(Available on some table models)

TOP OPTIONS

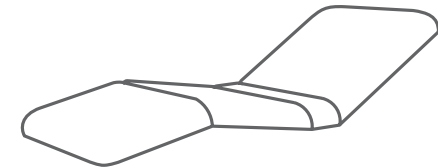
All tops are available in a standard 30" width or optional 33" width for an additional charge. All top lengths are 73".



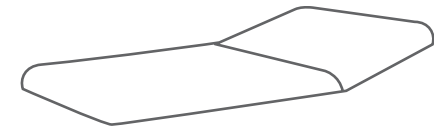
PowerTilt Top - Fully motorized adjustment of the knee and back sections.



Curved Top - Available in manual (TiltMech), or motorized adjustment (PowerTilt.)



MultiPro Top - Paddle-release tilt mechanism allows for manual adjustment of knee and back sections.



Face & Body Top - Allows for the adjustment of the head section. Motorized or manual operation available.



Flat Top - Ideal for Massage related services. Custom length, width, foam and fabric options available.

TOUCHAMERICA'S WARRANTY

Money-Back Guarantee and Returns: If you are not satisfied with a product, you may return it within 30 days for a complete refund (excluding freight), after contacting TouchAmerica for a Return Merchandise Authorization (RMA) number. Products must be in new condition and returned in suitable packing material to qualify for a refund. A 15% restocking fee may be charged for any returned item. Customers are responsible for freight expenses associated with returning products to TouchAmerica.

Warranties: TouchAmerica manufactures a wide range of products with varying warranties. All warranties apply to the original owner only for the time period specified for each product. Instructions for preventive maintenance are sent with each product. Any needed inspections and maintenance must be performed on a biannual basis. Failure to perform regular inspections and maintenance will void the warranty on the equipment. Labor warranties apply to customers in USA only.

Standard Professional Treatment Tables: Ten-year warranty on replacement parts for frame/structure and one year on labor. Wood/veneer cabinetry is warranted for one year. Foot tubs and plumbing parts for Artesian or Golden Touch are warranted for one year. Mechanical/electrical parts, foam and vinyl carry a two-year warranty on materials. One-year warranty on labor for hydraulic leg motors. Labor warranties apply to customers in USA only.

Olympus, Archipedigo, Harmony/Destiny, Portable Massage Tables, QuickLite Massage Chairs: Olympus, Archipedigo, and Harmony/Destiny have a five-year warranty on replacement parts for frame/structure and one year on labor. Mechanical and electrical parts, foam and fabric carry a two-year warranty on materials. One-year structural and plumbing warranty on Foot Bath for Harmony/Destiny. Portable Massage Tables and QuickLite Massage Chairs carry a five-year warranty on replacement parts for frame/structure and two-year warranty on foam and vinyl. Labor warranties apply to customers in USA only.

Wet Tables, Vichy Shower, Masquerade, Breath Pedi-Lounge: Neptune/Aphrodite tables and Vichy Showers: Two-year warranty on replacement parts for frame/structure and one year on labor. Breath Pedi-Lounge and Masquerade carry a one-year warranty on replacement parts for the frame/structure. Mechanical/electrical parts, as well as foam and vinyl, carry a two-year warranty on materials, except batteries, which have a one-year warranty. Vichy Shower plumbing parts are warranted for two years on materials. Labor warranties apply to customers in USA only.

Furniture and Accessories: Woodwork and veneer are warranted for one year. All accessories made by TouchAmerica carry a one-year warranty. Accessories and components not manufactured by TouchAmerica carry the original manufacturer's warranty, which varies from product to product. Hot Towel Cabis, Pedicure/Timbale Carts, Concierge/MEDI-SPA Cart, and PediStools/ProStools are warranted for one year.

Shipping for Warranty Replacements: TouchAmerica will cover the cost of shipping products replaced under warranty to customers in the contiguous USA only. International customers (as well as those in Alaska and Hawaii) must pay the freight costs for warranty replacement products. Customers are responsible for freight expenses associated with returning products to TouchAmerica.

Exclusions: Normal wear and tear or damage caused by accident, misuse, improper maintenance, harsh operating environments, or neglect (which includes tears in the upholstery and damage caused by harsh chemical-based cleaners) are not covered under this warranty. All warranties are limited to repair or replacement, at TouchAmerica's discretion, unless otherwise stated.



1-800-678-6824
touchamerica.com

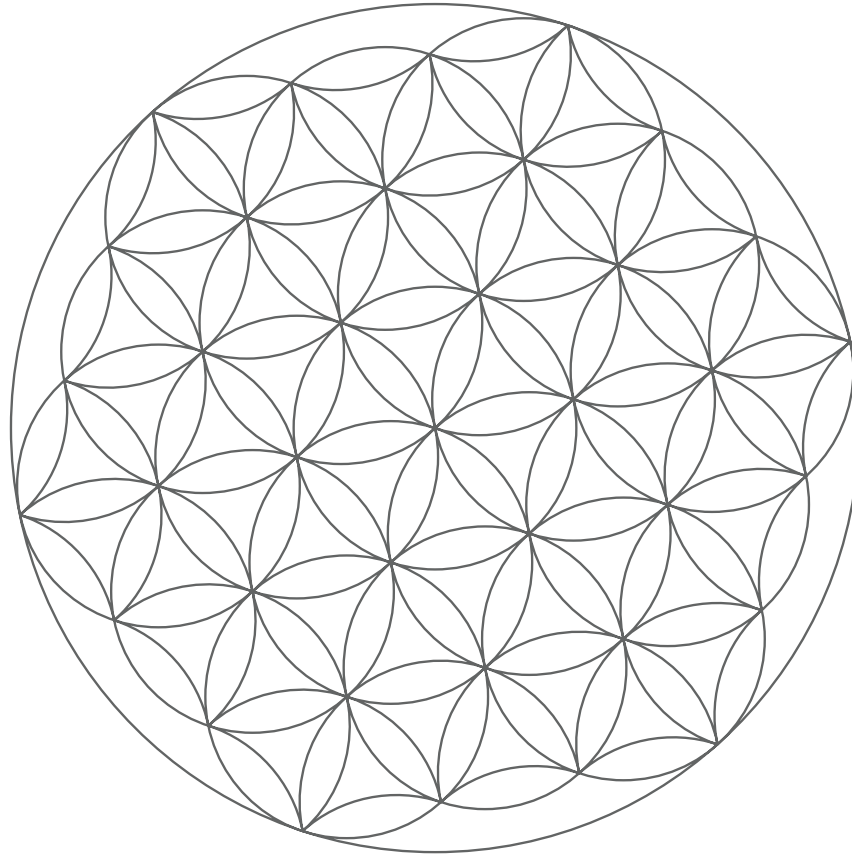


Dedicated to Robin Zill

Co-Founder of TouchAmerica

Developer of The Living Systems Professional Spa Training Series

Creator of the Ousia Spa Center, the Ousia Philosophy, and Ousia Treatment Programs



www.touchamerica.com

800.678.6824