

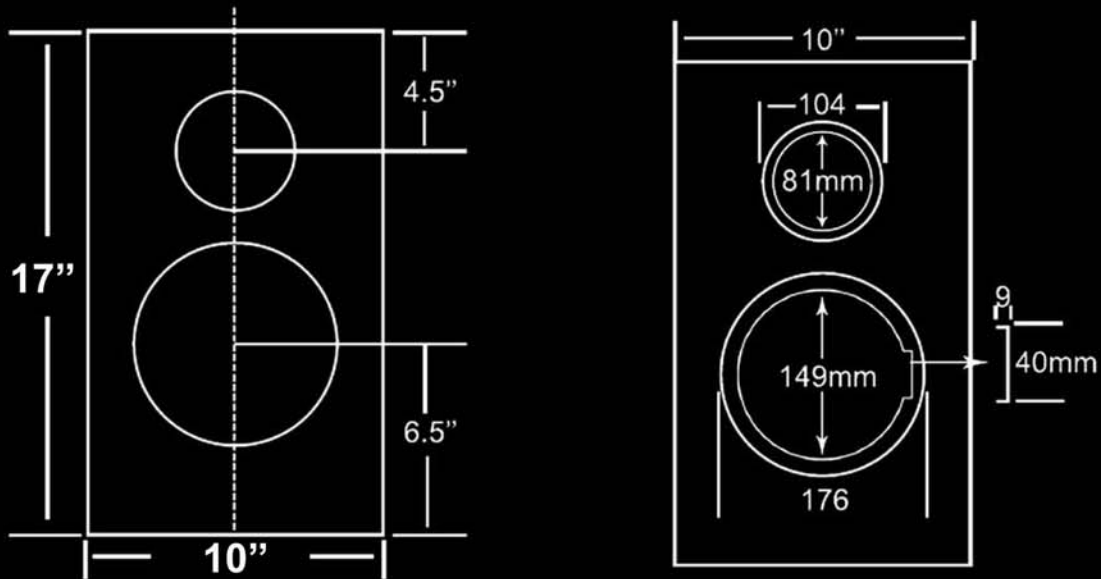
# FENRIR

*by  
Ben Shaffer*

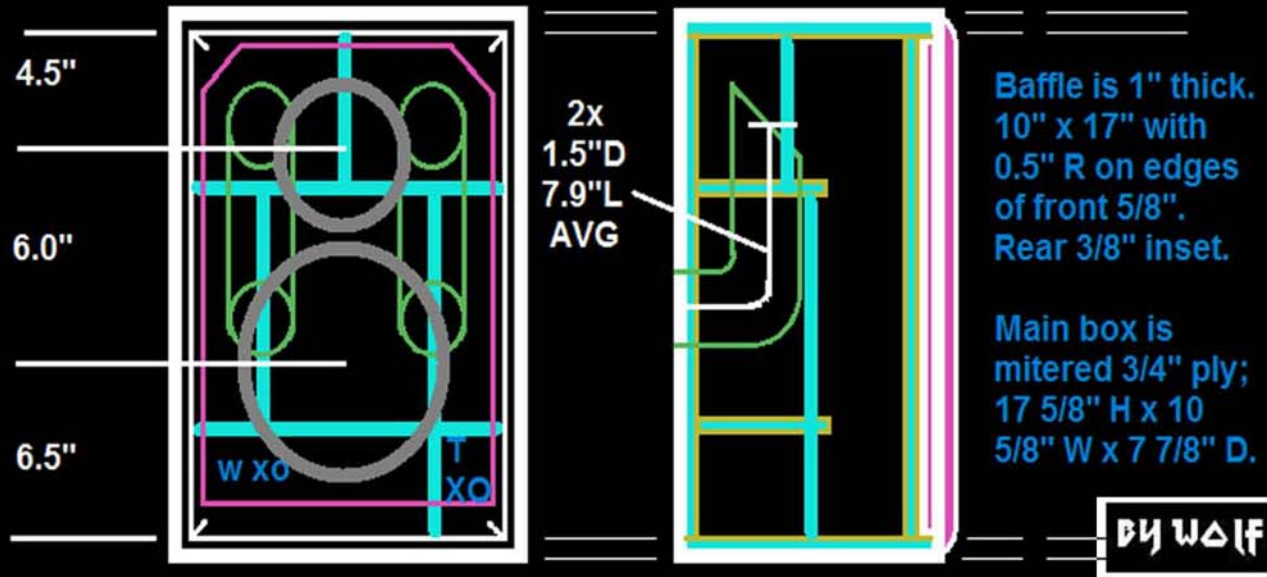


# FENRIR

by  
Ben Shaffer



Fenrir box dimensions



Stuff central portion behind bracing tie-ins. Line upper third section around perimeter outside of port exits. Lay 2-3 layers of batting between drivers and bracing, leaving ports open.

Scale is approximate. Drawing is visually squished vertically.

# FENRIR

by  
*Ben Shaffer*





# FENRIR

by  
*Ben Shaffer*



# FENRIR

by  
Ben Shaffer

