

## Want to Grow Your Daisy Rain® Garden?

For replacement parts, add-ons and more, visit us at [daisyraingarden.com](https://daisyraingarden.com) today!

Our website has instructional videos, add-on systems, replacement parts, and ideas for your next projects.

### Need Assistance?

Visit us at <https://daisyraingarden.com> for more information, or contact us at:

(503) 628—2323

[igordon@daisyraingarden.com](mailto:igordon@daisyraingarden.com)

Daisy Rain Garden Systems  
PO Box 1079  
Hillsboro, OR 97123

### We'd Love to Hear From You!

Feedback is important for us to learn and grow. Share your photos, experiences, and your clever ideas with the Daisy Rain® family on our website or on social media.

## PARTS INCLUDED

- 3—Daisy Rain® Sprinkler Pots
- 1—25-foot Macro-Drip Hose
- Pre-assembled with one in-line pressure regulator, hose swivel, and end plug
- 1—Punch Tool
- Riser Kit:**
- 3—Risers
- 3—Threaded Adapters for Adjustable Spray Heads
- 3—Adjustable Spray Heads
- 6—Figure-8 Hose Ends
- Also Included:**
- 3—Coupler Fittings
- 4—Elbow Fittings
- 2—T Fittings



CONNECT A HOSE AND YOUR GARDEN GROWS—ANYWHERE

## ASSEMBLY TIPS AND INSTRUCTIONS

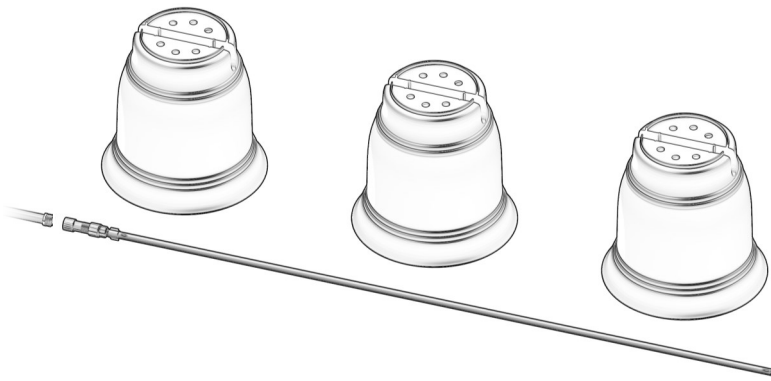
- ### Safety Information
- **Never use Daisy Rain® products without pressure reducer.** Use of products without the pressure reducer can cause product failure. The pressure reducer comes pre-assembled to the Macro-Drip Hose for your convenience.
  - **Product assembly requires use of sharp objects.** Handle with care and always supervise children when using sharp objects.
  - **Spray head can come apart if unscrewed too far.** Use caution and aim away from face when adjusting water flow.

### Helpful Hints Before You Start

- Read all instructions before assembling Daisy Rain® Sprinkler Pots. **Do not fill with soil until you have reached step 6.**
- Use of a **hair dryer or heat gun** is recommended for ease of assembly.
- Only connect a maximum of 25 Daisy Rain® Sprinkler Pots on one pressure reducer to ensure adequate water flow to all pots.
- For detailed instructions on alternate assembly methods, please visit [daisyraingarden.com](https://daisyraingarden.com).

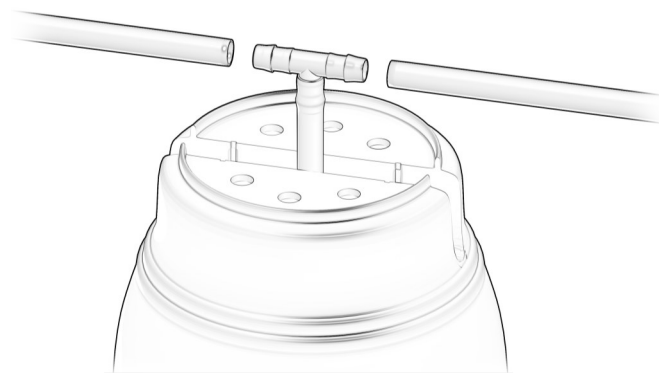
## 1 Setup and Measuring

Place pots upside down in desired locations. Lay out Macro-Drip hose from water source, either faucet or garden hose, to all pots. Adjust pots if needed for hose to reach all pots.



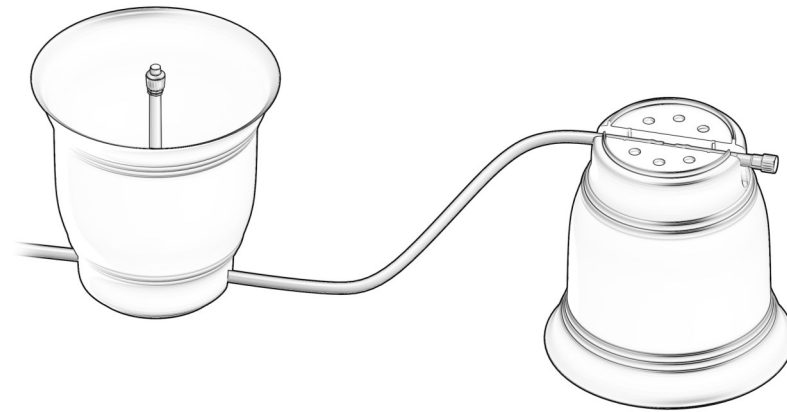
## 2 Cut Hose and Assemble Risers

Mark and cut the hose at mid-point of each pot. Allow some extra length to ensure an easy connection. Use a hair dryer or heat gun to soften hose. Partially insert riser into pot for extra stability during attachment of hose. Attach one riser at each cut. Leave a minimum of 6" of hose between the final riser and the end plug.



## 3 Install Hose Assembly in Pots

Fully insert risers into the pots, ensuring the hose is fully seated in the slots in each pot. Turn pots right side up. If hose sections between pots are too long, detach one end of the hose from riser, trim hose and reattach.

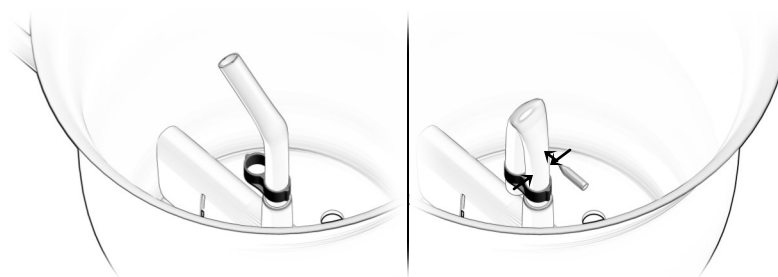


## 4 Choose Watering Method

### Sub-Soil Soaker

For centered planting of roses and shrubs

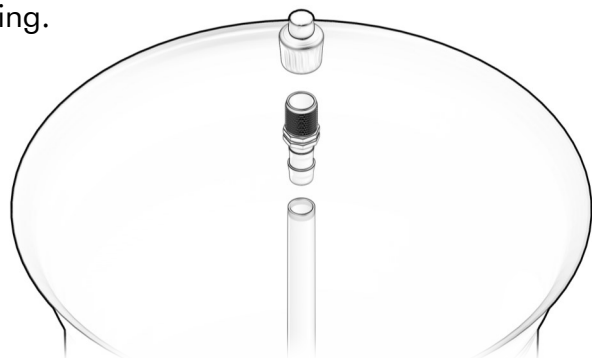
Slip figure-8 hose end over top of riser. Bend riser hose about 5" below top and slide hose end up to capture the bent end. Poke 3 holes in water side of riser above hose end.



### Spray Head

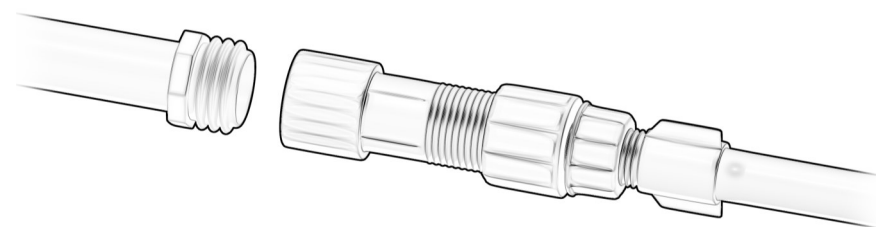
For flowers and vegetables

Insert threaded adapter into riser hose. Screw on spray head. Adjust flow rate on sprinkler head by turning center knob. Caution: center knob can unscrew and fly away if adjusted while water is running.



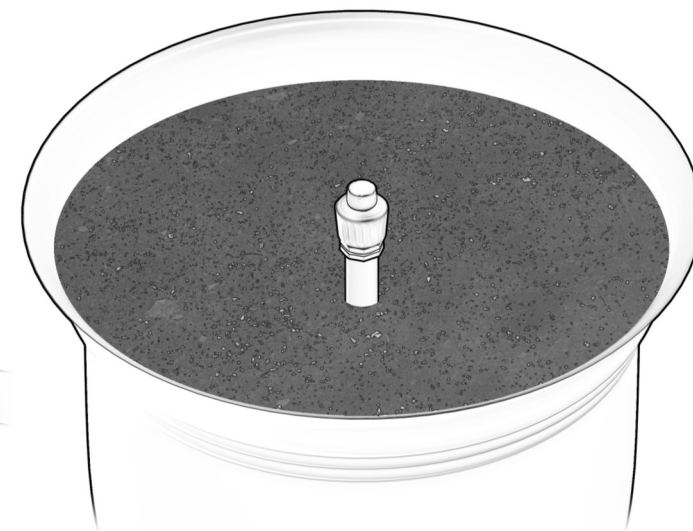
## 5 Hook Up to Water Source

Attach pressure reducer end of hose to water source. Ensure all connections are secure. If using a water timer, follow the manufacturer's instructions for installation.



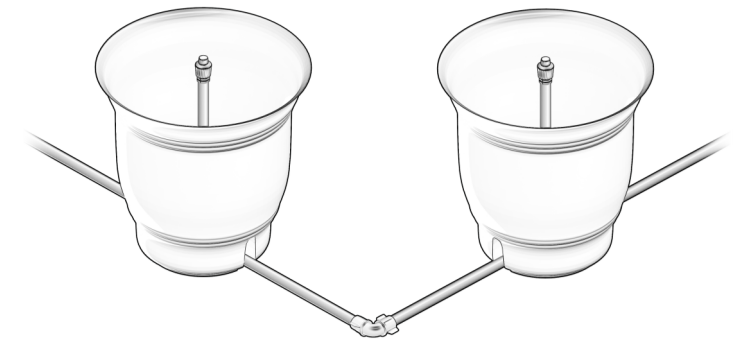
## 6 Clear Hoses and Plant

Clear hoses of debris. For sub-soil soakers, run water until clear. If using spray head in pots, unscrew the spray head and run water until clear, then reattach spray head. It may be necessary to clear spray head again after adding soil. Fill pots with soil. Plant your new Daisy Rain® Sprinkler Pots and enjoy!

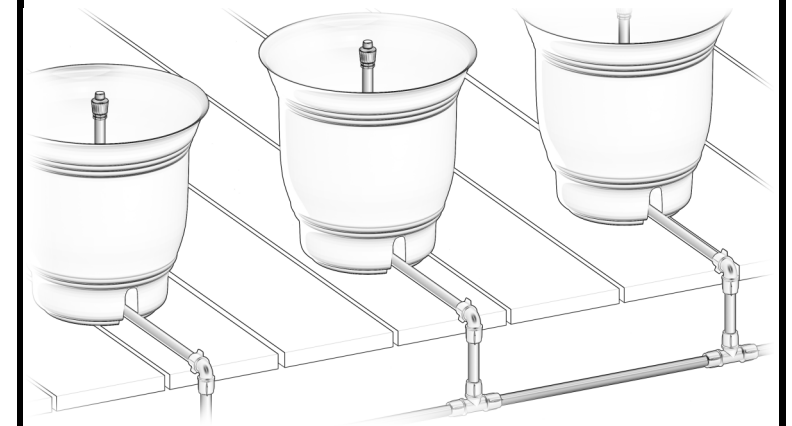


## More Assembly Ideas for Your Daisy Rain® Garden

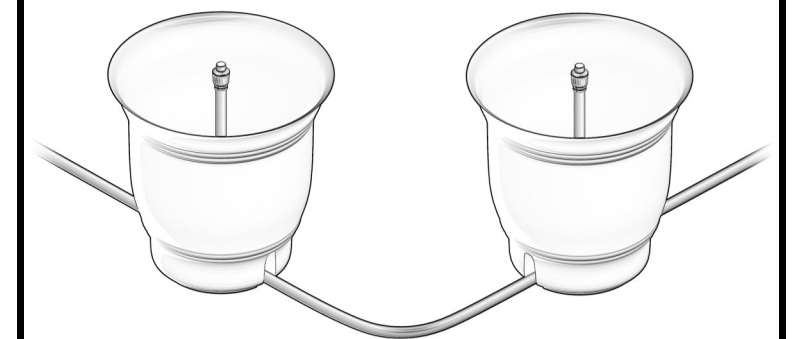
### Around Corners



### Hide Hoses Over an Edge



### Curving Patterns



For even more tips and ideas, visit our website at [daisyraingarden.com](http://daisyraingarden.com)