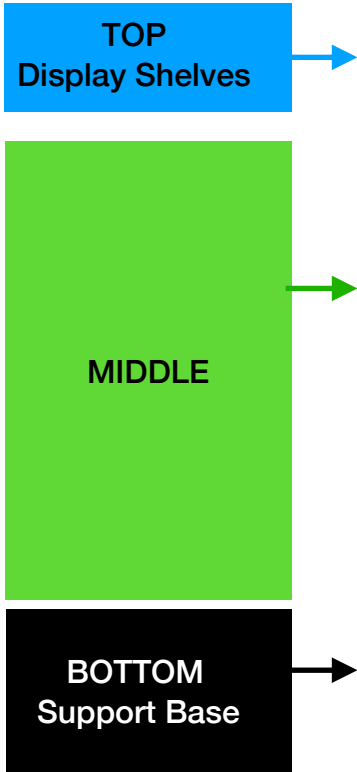
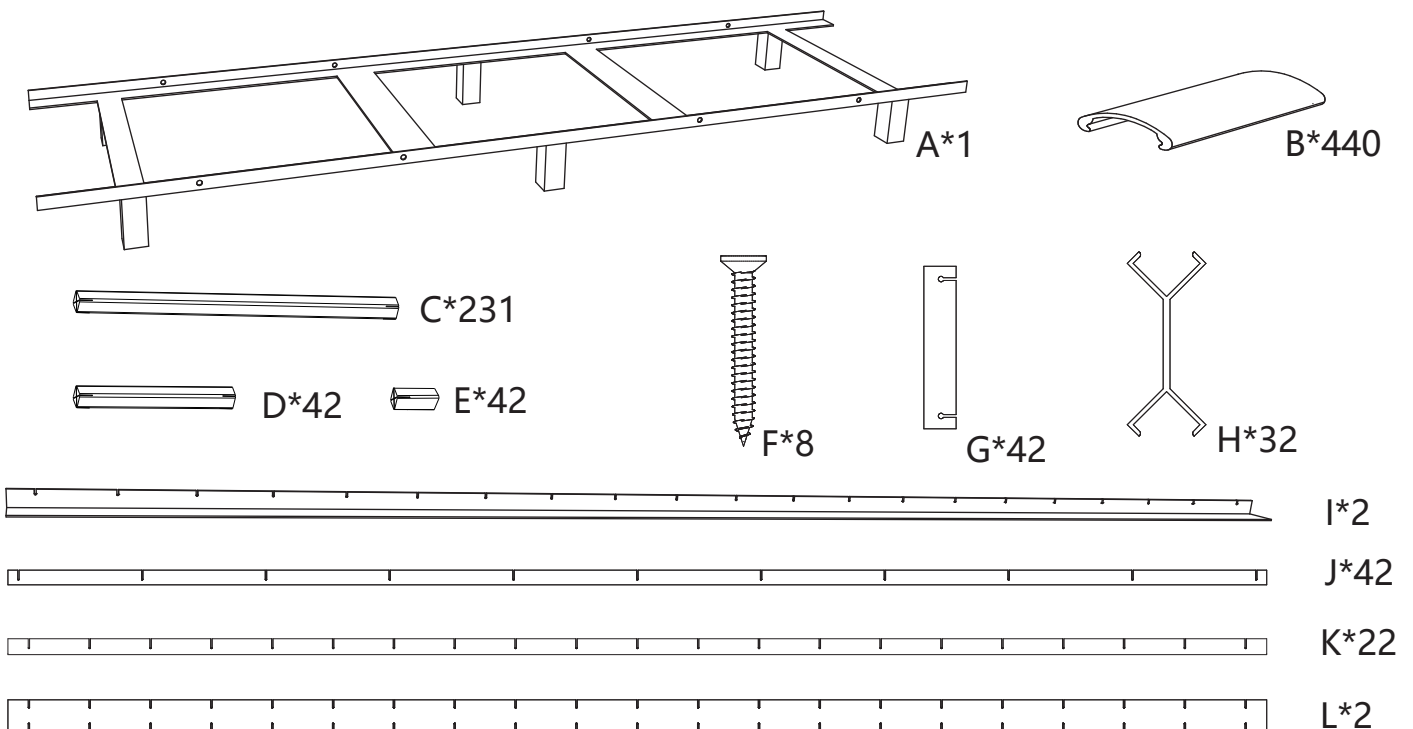


Wine Rack Assembly Instructions

WRT480R2



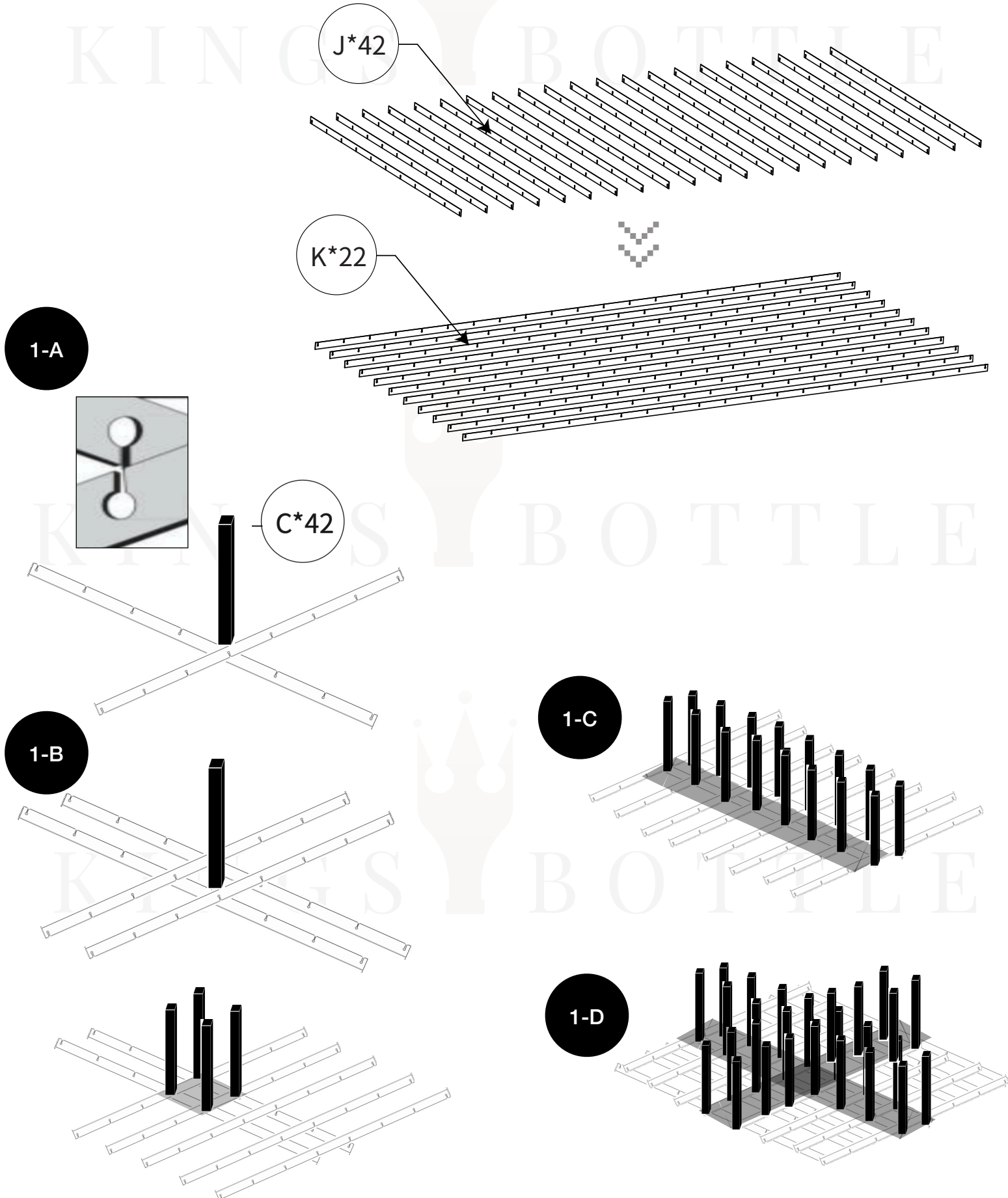
Parts included



STEP 1 - ASSEMBLING THE BOTTOM FRAME OF MIDDLE-SECTION

- Find a flat surface to begin the assembly process.
- Start by assembling the bottom section.
- Align the first timber slat with the cross metal grid, starting from the center of the frame.
- Using a rubber mallet, firmly hammer the timber slat into place until it is fully secured.
- Ensure that the steel grid is aligned with the first flat surface of the rack to provide maximum stability.

([Instruction Video](#))



Wine Rack Assembly Instructions



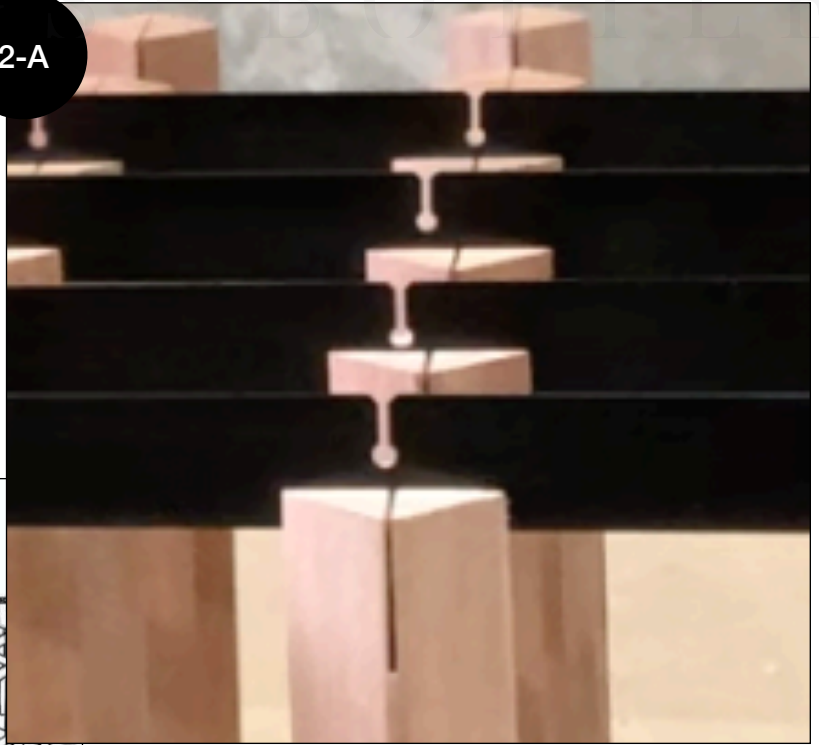
STEP 2 - ASSEMBLING THE TOP FRAME OF MIDDLE-SECTION

Insert one section of the metal frame **only halfway** down into the wood pieces.
([Instruction Video](#))

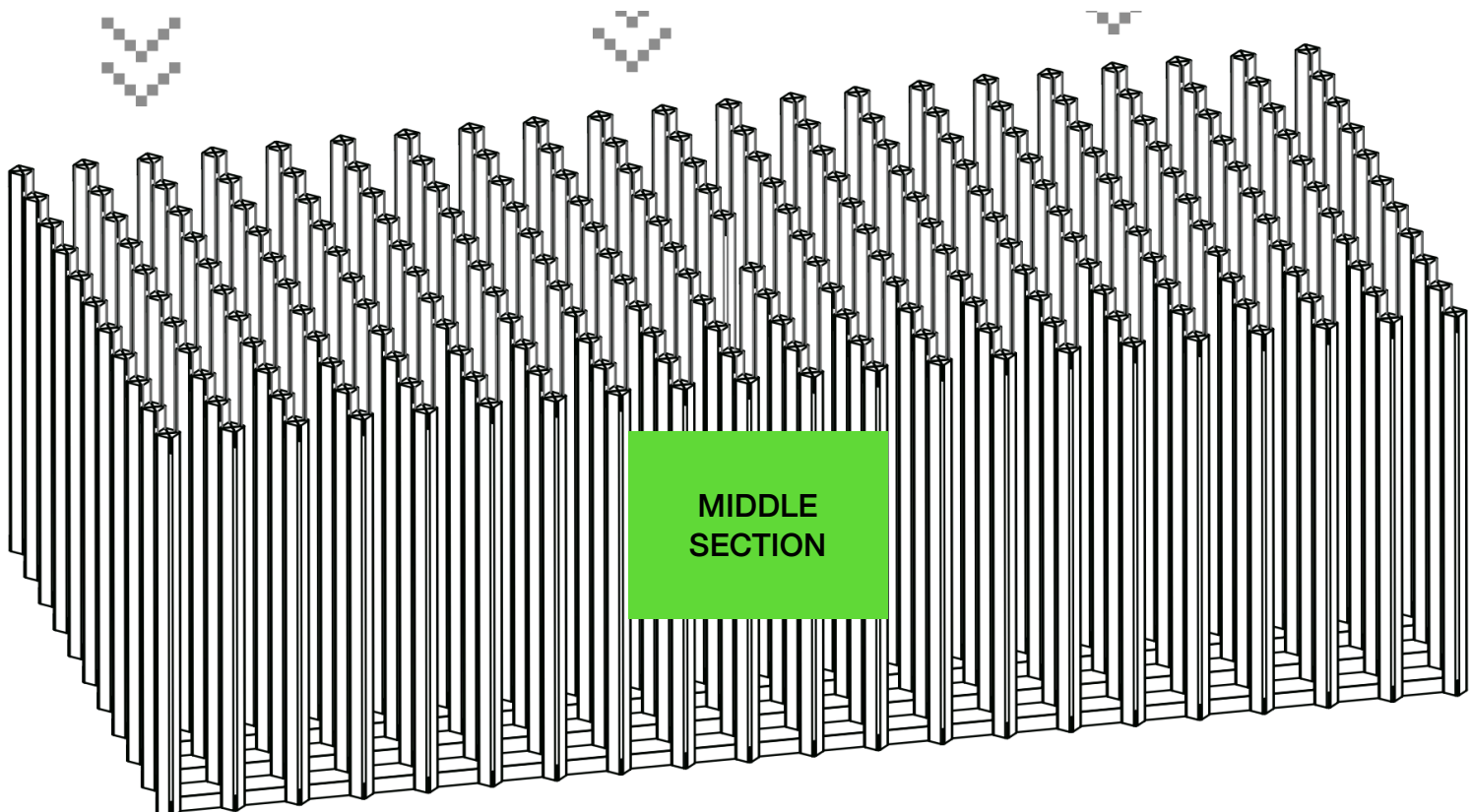
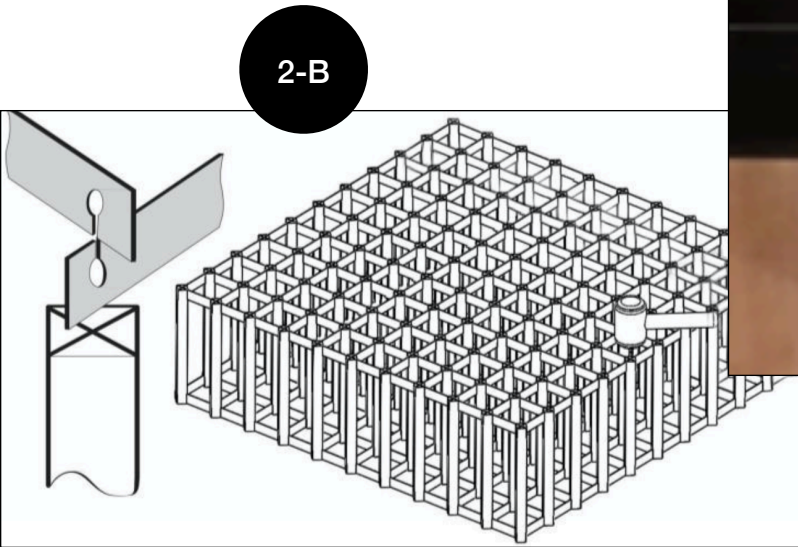
Insert the 2nd section of the metal frame into the 1st section, ensuring a secure fit into the wood pieces.

Use the rubber mallet to complete the installation of the metal frame into the wood pieces, ensuring it is tightly in place.

2-A

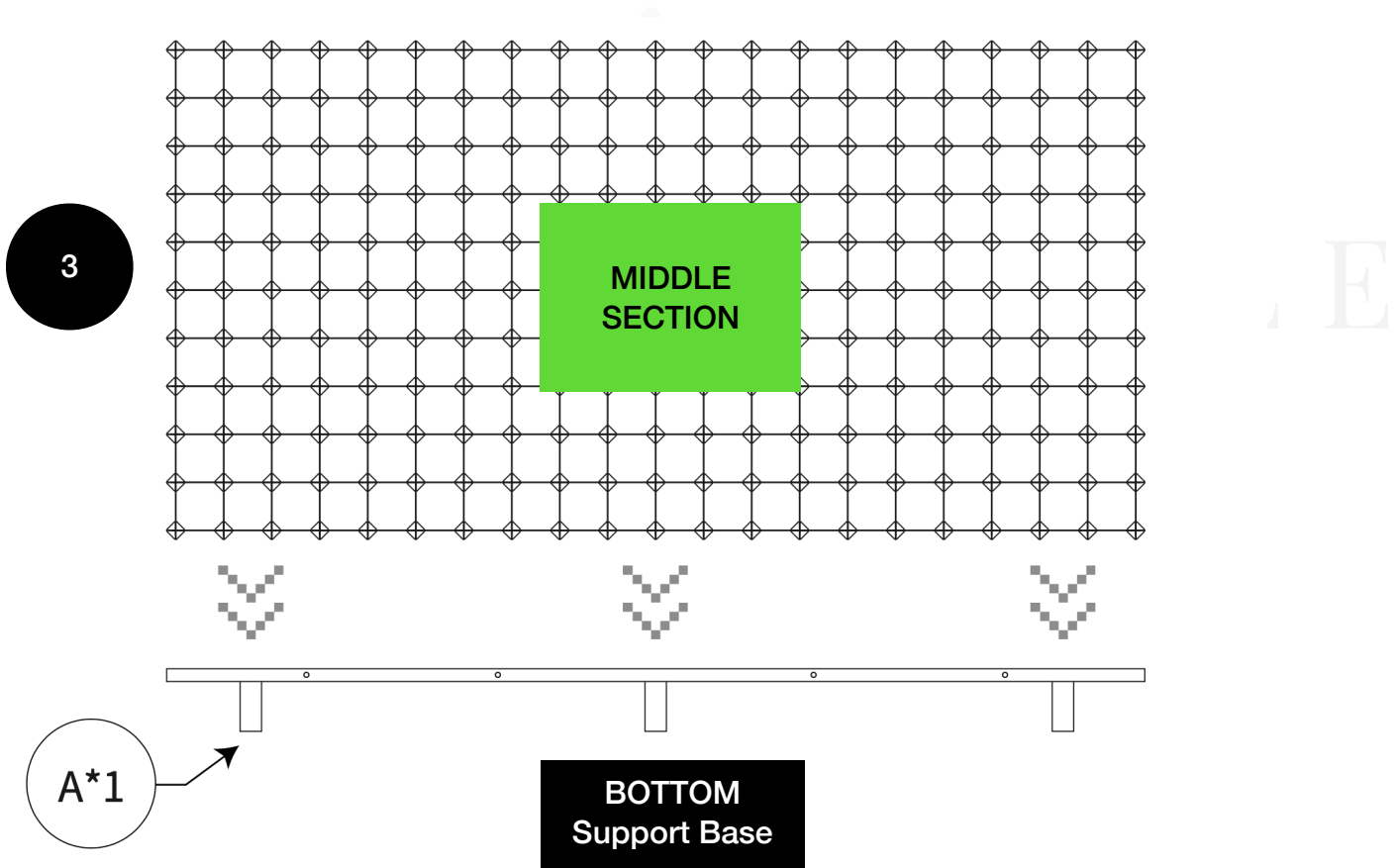


2-B



STEP 3 - BOTTOM BASE

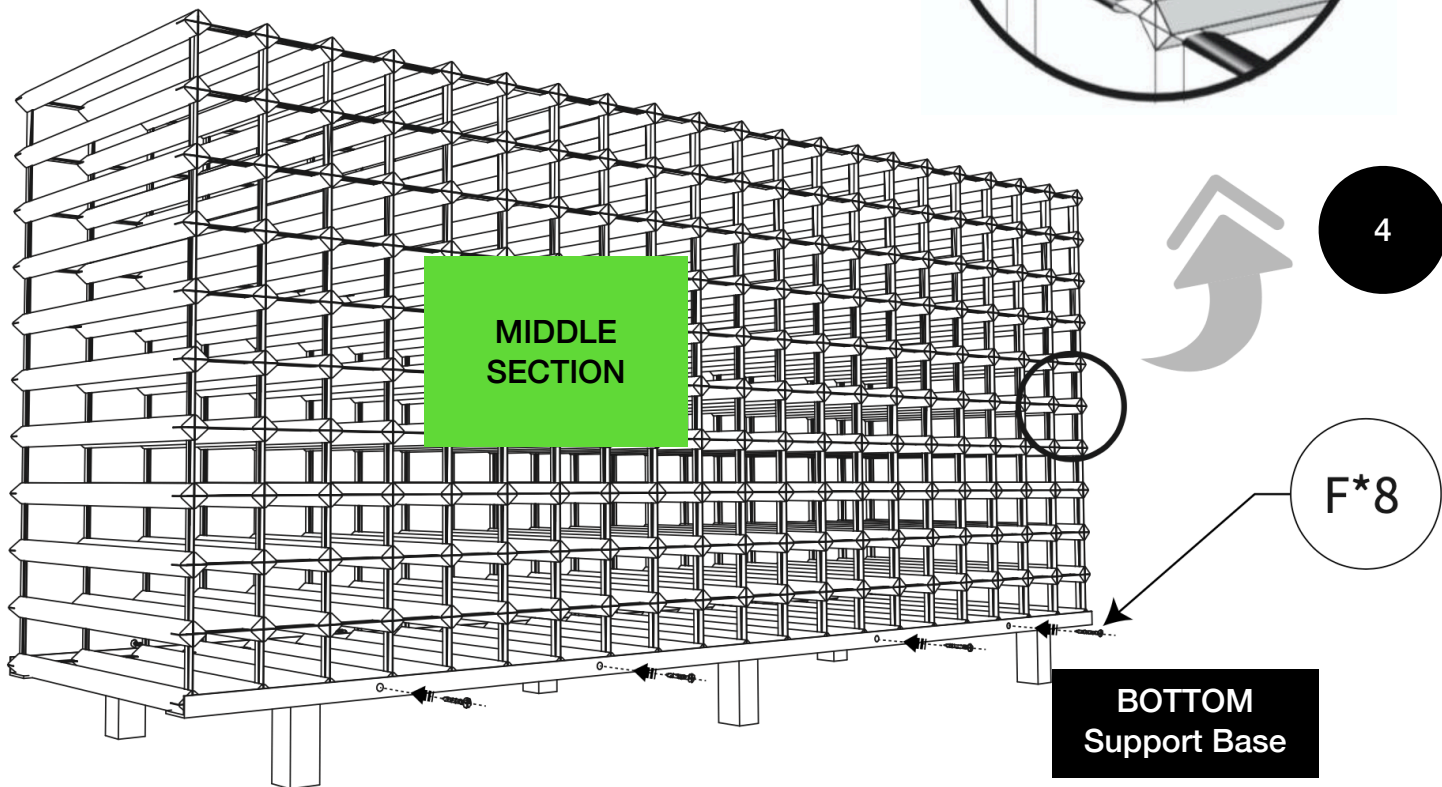
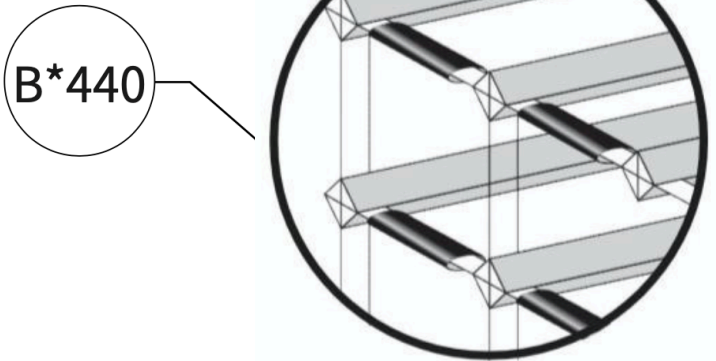
Fix the wine rack (the middle section) to the bottom base



STEP 4 - NECK PROTECTOR

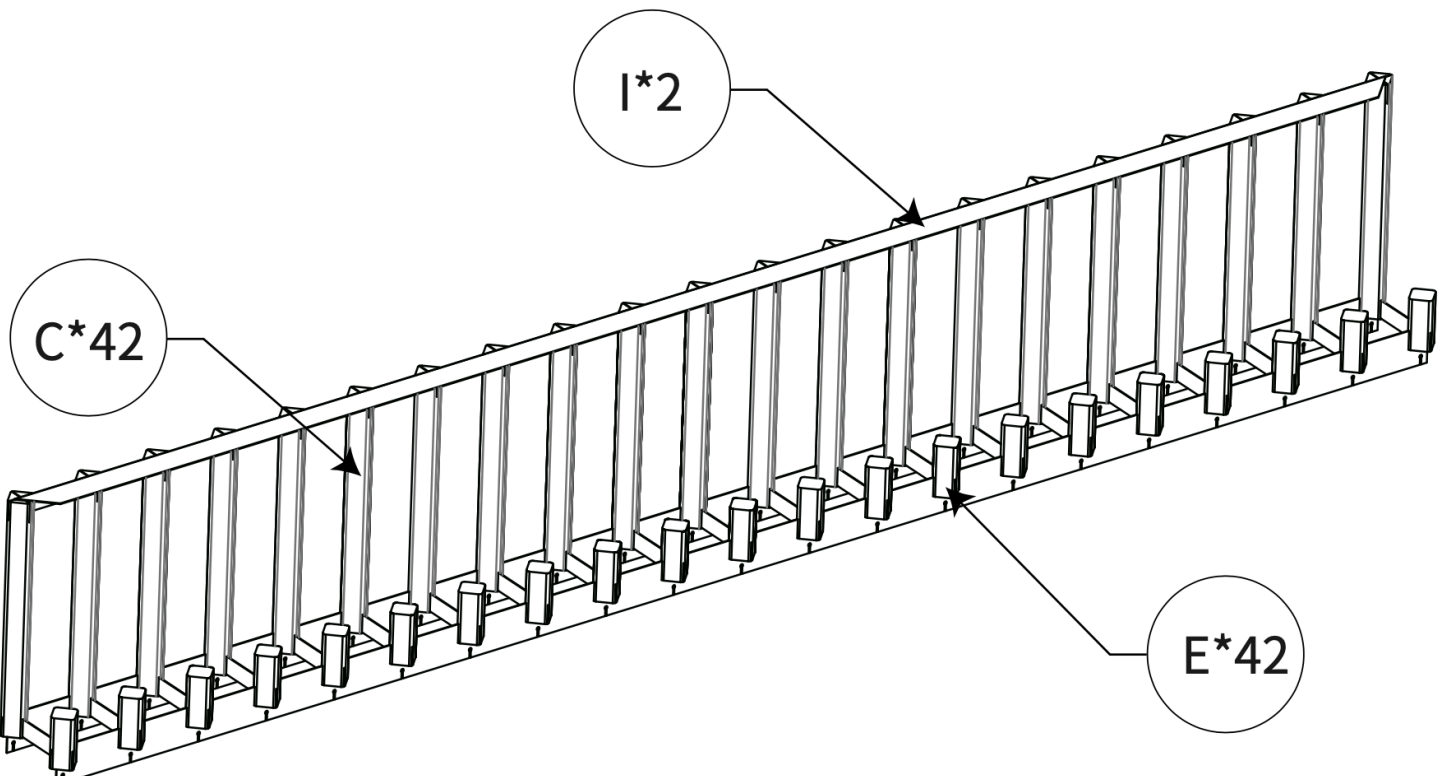
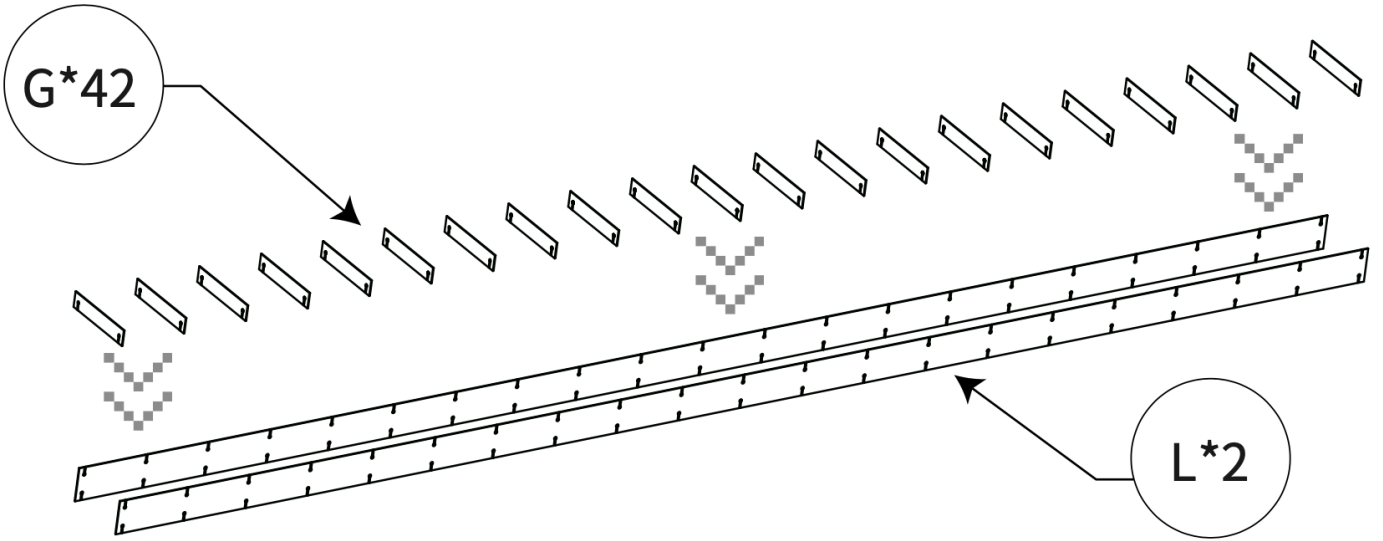
Snap the bottle neck protectors onto the front side of the metal frame.

This will provide added protection for the necks of your wine bottles and prevent them from accidentally slipping out.

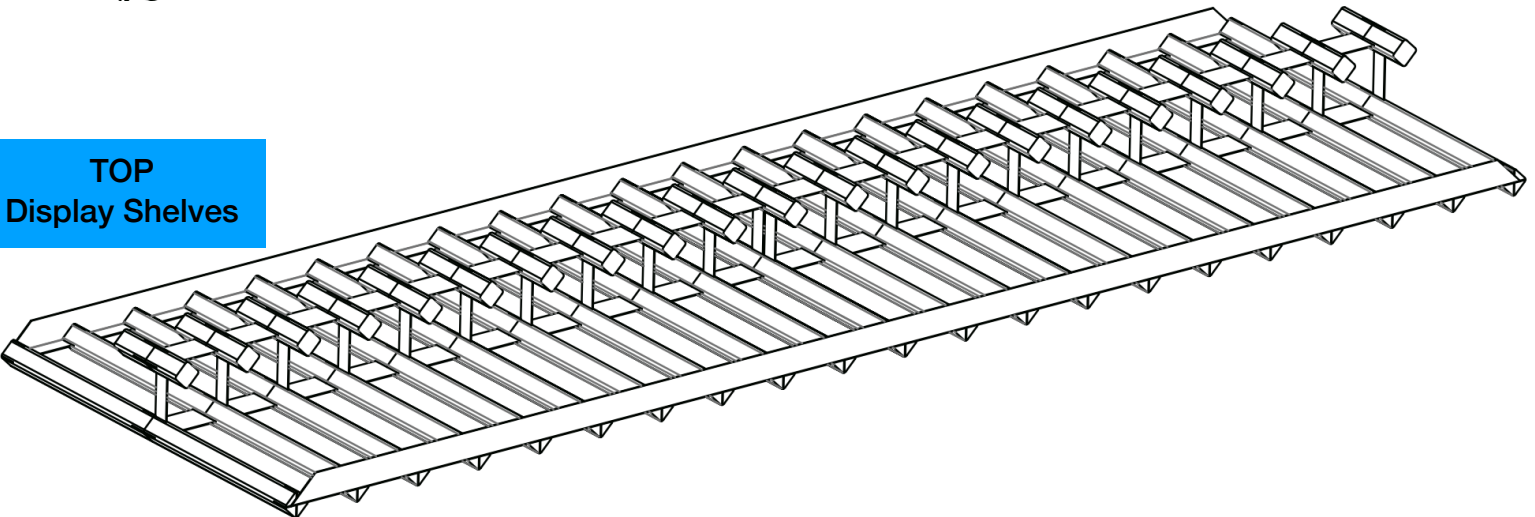


STEP 5 - TOP SECTION | DISPLAY SHELVES
Assemble the display shelves (TOP-SECTION)

5



TOP
Display Shelves

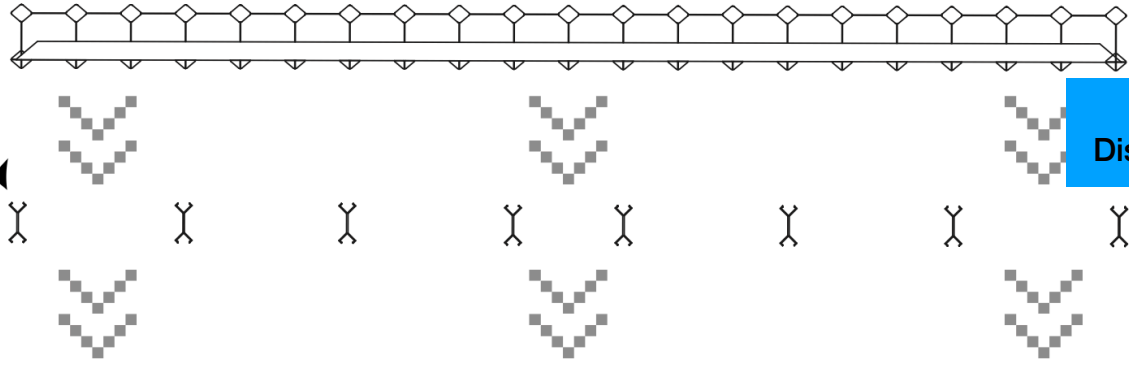


STEP 6 - CONNECT THE TOP AND MIDDLE SECTIONS

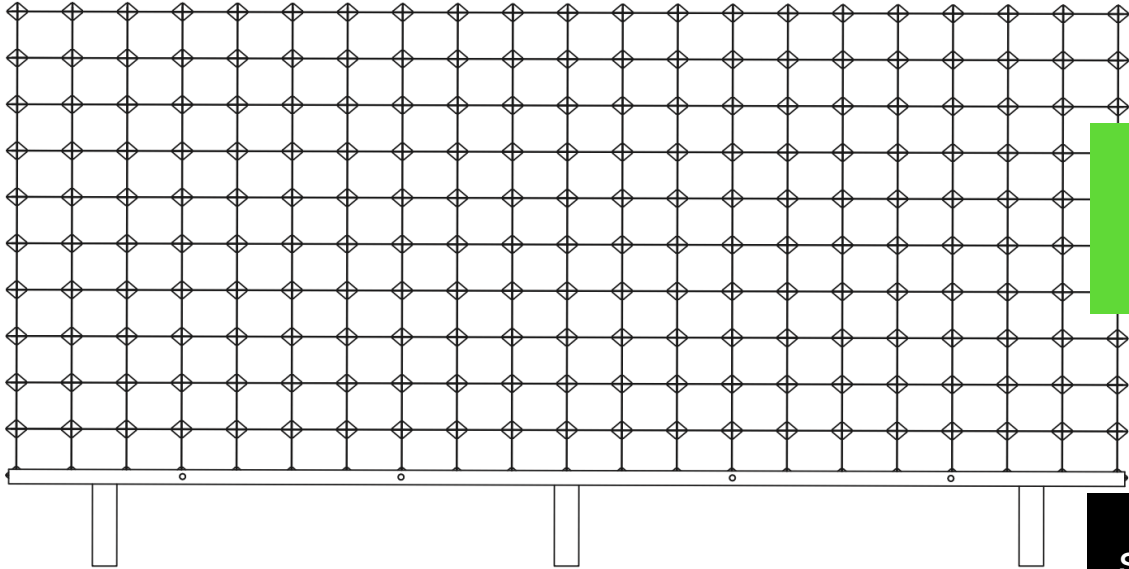
Attach the plastic CONNECTOR CLIPS to the wooden slats on the bottom of the display shelves (TOP SECTION). Then stack on the top of the MIDDLE section.

H*32

CONNECTOR CLIPS

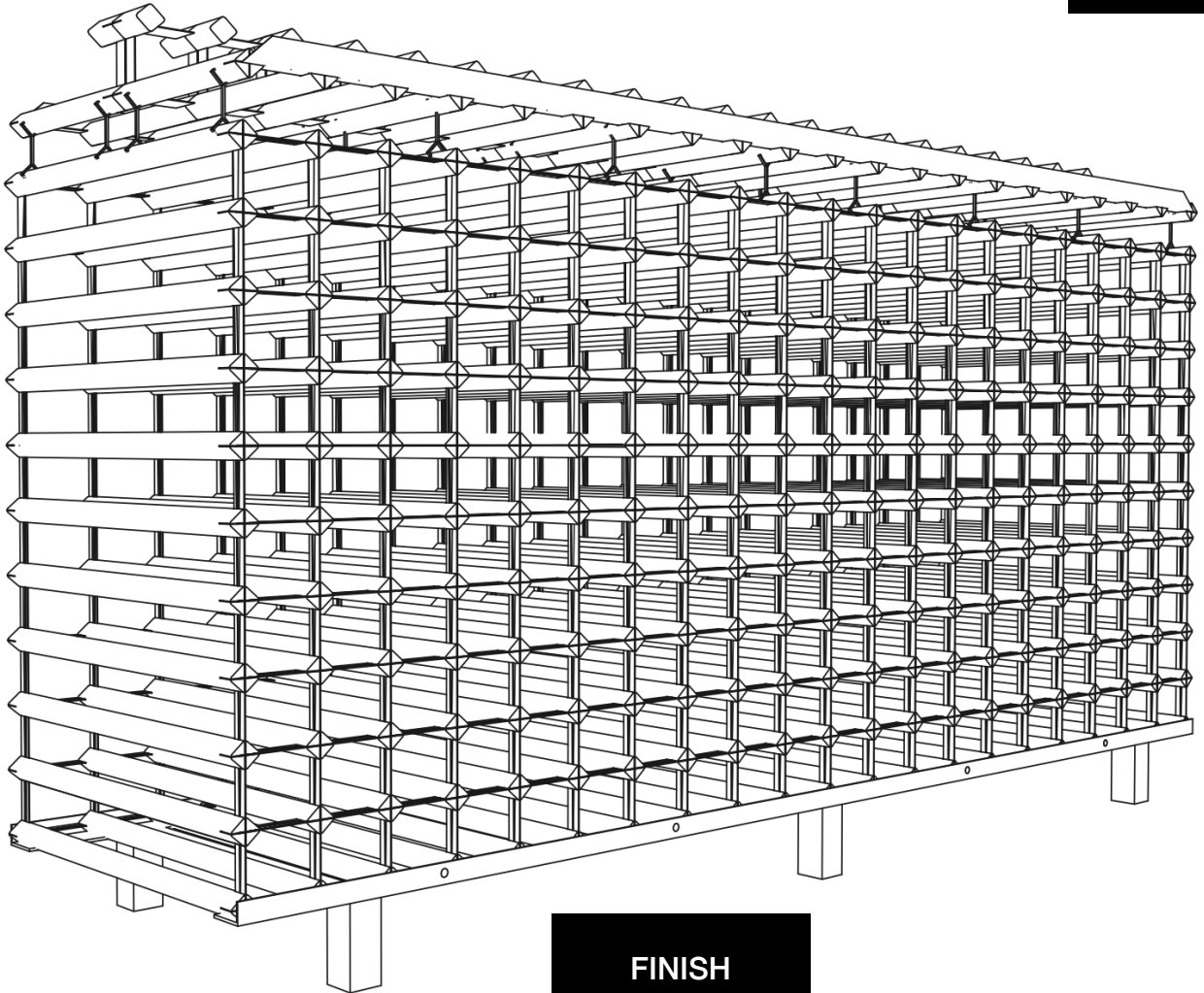


TOP
Display Shelves



MIDDLE
SECTION

BOTTOM
Support Base



FINISH