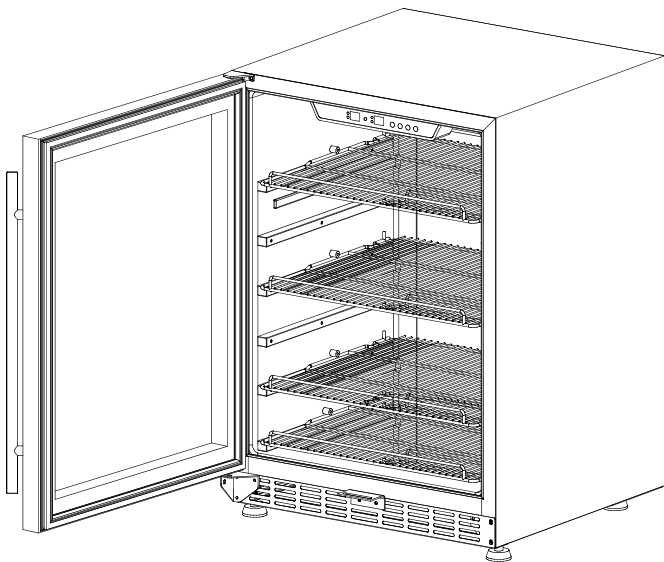
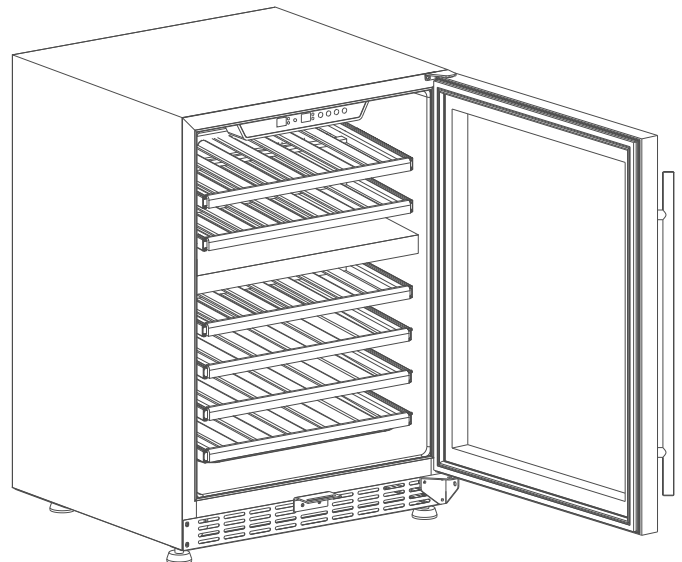


USER MANUAL

KBUSF50B SINGLE ZONE BEVERAGE COOLER
KBUSF54D DUAL ZONE WINE COOLER



KBUSF54B SINGLE ZONE BEVERAGE COOLER



KBUSF54D DUAL ZONE WINE COOLER

PLEASE NOTE:

- Every time the unit is powered ON, there will be a 3-6 minutes delay for the compressor to start.
- For optimal use of this product, the temperature of the LOWER cooling chamber / zone should be set at least 4°F above the temperature of the UPPER cooling zone.

COMPRESSOR WINE & BEVERAGE COOLERS



CONTENTS

Congratulations

Congratulations and thank you for choosing our KingsBottle WINE & BEVERAGE COOLERS . We are sure you will find your new appliance a pleasure to use . Before installing and operating the refrigerator, we recommend that you read through this manual which provides a description of your refrigerator and its functions .

To avoid the risks that are always present when you use an electric appliance, it is important that the appliance is installed correctly and that you read the safety instructions carefully to avoid misuse and hazards .

We recommend that you keep this instruction booklet for future reference and pass it on to any future owners .

After unpacking the appliance, please inspect it to verify it is not damaged. If in doubt, do not use the appliance but contact us or your local customer care centre

TABLE OF CONTENTS

Chapter	Contents	Page
Part I	Important Safety & Pre-Use Instructions	3
Part II	Diagram & Description of Refrigerator	4
Part III	Installation Instructions	5-6
Part IV	Temperature Setting and Refrigerator Operating	7-8
Part V	Layout & Storage	9
PART VI	Maintenance	10
Part VII	Troubleshooting Guide	11
Part VIII	Technical Data	12
Part IX	Warranty Information	12

PART I IMPORTANT SAFETY INSTRUCTIONS

Please read this user manual carefully and store in a handy place for later reference . The symbols you will see in this booklet have these meanings:



This symbol indicates information concerning your personal safety



This symbol indicates information on how to avoid damaging the appliance



This symbol indicates tips and information about use of the appliance



This symbol indicates tips and information about economical and ecological use of the appliance



TO REDUCE THE RISK OF FIRE, ELECTRICAL SHOCK, OR INJURY WHEN USING YOUR APPLIANCE, FOLLOW THESE BASIC PRECAUTIONS:

1. Read all instructions before using the refrigerator.
2. DANGER or WARNING: Risk of child entrapment. Child entrapment and suffocation are not only problems of the past. Junked or abandoned appliances are still dangerous... even if they will "just sit in the garage for a few days".
3. Before you throw away your old refrigerator:
 - Take off the door.
 - Leave the Shelves in pieces so that children may not climb inside easily.
4. Never allow children to operate, play with, or crawl inside the appliance.



1. The refrigerator must be plugged into its own dedicated 110-115V, 50/60Hz AC electrical outlet .
2. The plug must be accessible when the cooler is in position.
3. It is essential the power point is properly grounded . Consult a qualified electrician if you are unsure .
4. Don't use extension cords or adapter plugs with this cooler .
5. If the power cord is damaged, have it replaced by a qualified service technician .

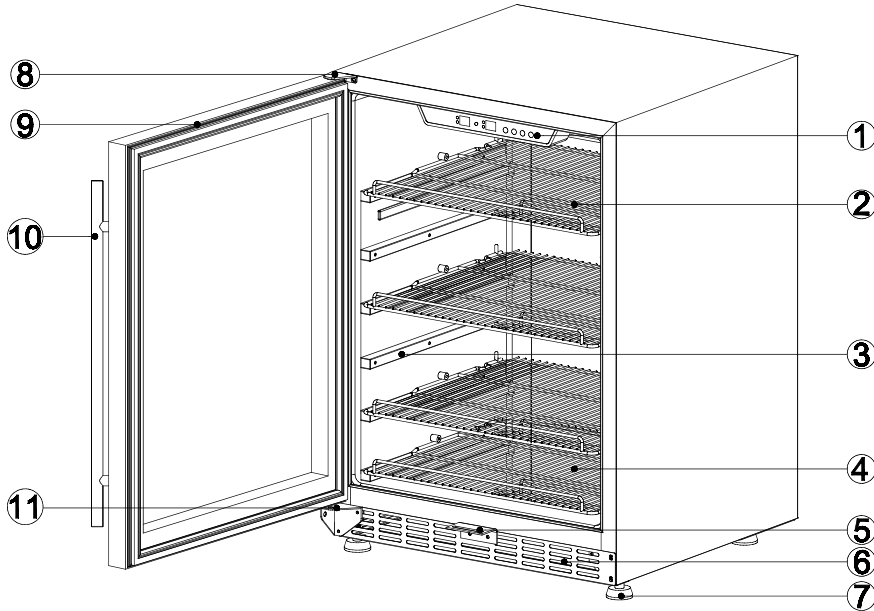
6. Unplug the cooler before cleaning it, or changing the light bulb to avoid electric shock .
7. Never clean appliance parts with flammable fluids. The fumes can create a fire hazard or explosion.
8. Never unplug the cooler by pulling the electrical cord as this may damage it. Grip the plug firmly and pull straight out .
9. Choose a location for your cooler that isn't too cold . The ambient room temperature should be above 50°F .
10. Stand your cooler in a dry place – avoid areas of high moisture or humidity .
11. Don't put the cooler in frosty or unprotected areas like a garage or on the verandah .
12. Keep the cooler out of direct sunlight .
13. Don't locate the cooler near stoves, fires or heaters .
14. Do not store in the vicinity of any other appliance. Do not store near gasoline or any other flammable vapors. The fumes can create a fire hazard or explosion.
15. When installed correctly, your cooler should:
 - Have adequate space at the back and sides for air circulation. (See Page 5)
 - Be aligned to the surrounding cupboards .
 - Have doors that will self-close from a partially open position
16. Please inspect and clean the filter in front venting grill every month. Failure to clean will void the warranty and increase the running costs.

BEFORE USING YOUR REFRIGERATOR

1. Remove the exterior and interior packing.
2. Before connecting the refrigerator to the power source, let it stand upright for approximately 24 hours. This will reduce the possibility of a malfunction in the cooling system from handling during transportation.
3. Clean the interior surface with lukewarm water using a soft cloth.

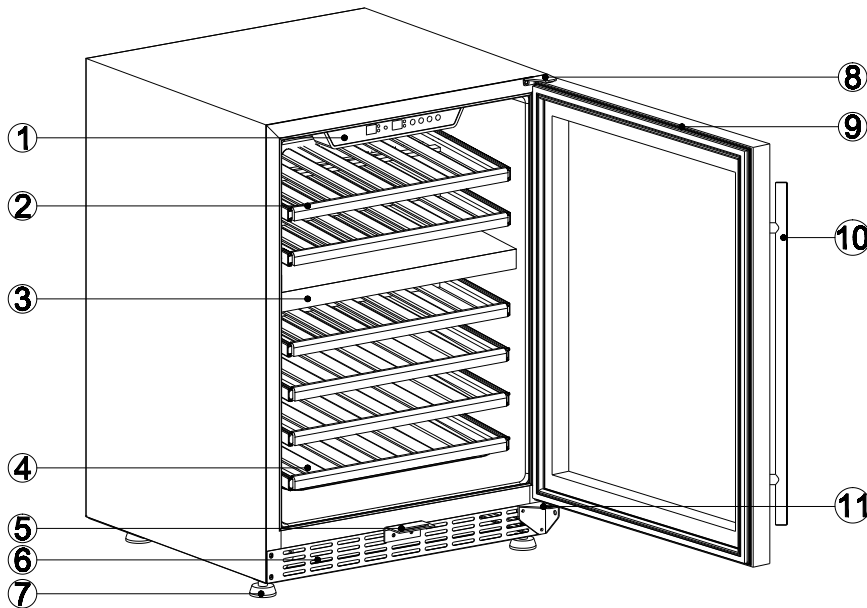
FEATURES

PART II DIAGRAM & DESCRIPTION OF REFRIGERATOR



KBUSF54B SINGLE ZONE BEVERAGE COOLER

- 1 Display and Control Panel
- 2 Full Shelves
- 3 Rack
- 4 Small Shelf
- 5 Latch Hook
- 6 Front Grille
- 7 Adjustable Stand Feet
- 8 Door Upper Hinge
- 9 Door Seal
- 10 Door Handle
- 11 Door Bottom Hinge



KBUSF54D DUAL ZONE WINE COOLER

- 1 Display and Control Panel
- 2 Full Wooden Shelves
- 3 Compartment Divider
- 4 Small Wooden Shelf
- 5 Latch Hook
- 6 Front Grille
- 7 Adjustable Stand Feet
- 8 Door Upper Hinge
- 9 Door Seal
- 10 Door Handle
- 11 Door Bottom Hinge

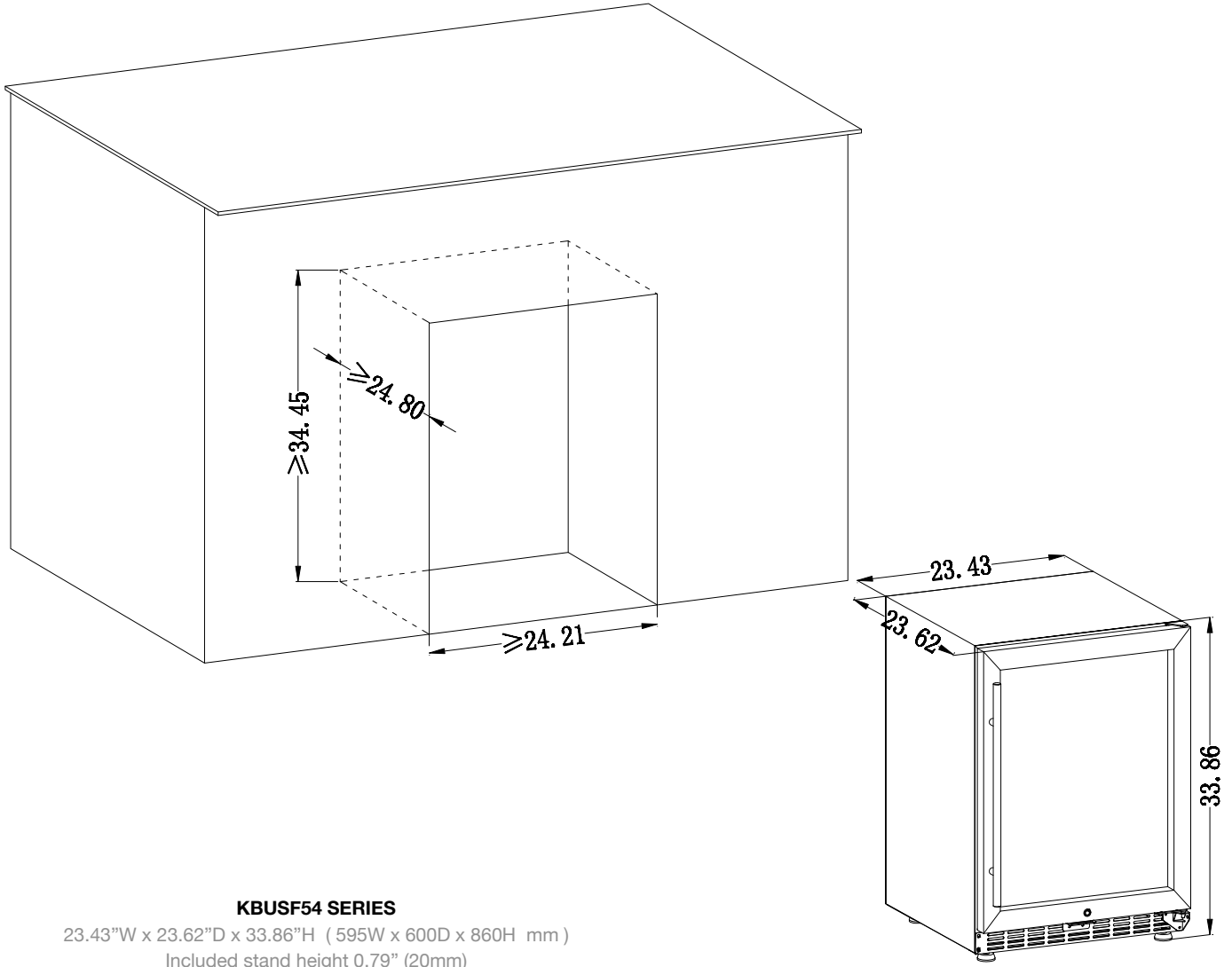
YOUR REFRIGERATOR ALSO INCLUDES THE FOLLOWING:

- Instruction manual
- Two keys
- Top and bottom hinges , also screws for changing the door hinge

INSTALLATION

PART III INSTALLATION INSTRUCTIONS

CUTOUT DIMENSION ILLUSTRATED



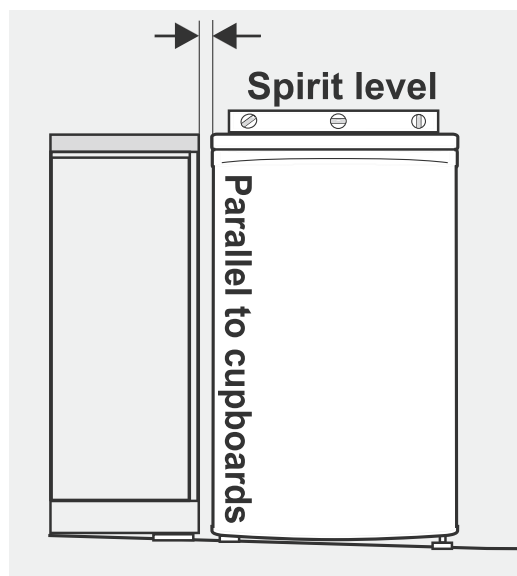
Notes: These front-venting models can be built in to cabinetry. Builders should allow an additional 1/2" either side of the unit, plus 1" behind the unit and 1/2" on top. These additional spaces allow units to be placed in position easily, and without power cords being damaged. This also allow hot air that is vented from the front to rise quickly and clear the cool air intake manifold. These clearances help to keep power consumption to a minimum and prolong the life of your refrigerator

INSTALLATION

PART III INSTALLATION INSTRUCTIONS

INSTALLING YOUR REFRIGERATOR

1. Move the unit into its final position .
2. If the unit is not tilting back, minor adjustments can be made to the leveling legs.
3. Compare the alignment of the appliance to the surrounding cupboard . The top of the appliance should be level from side to side (see diagram below) .



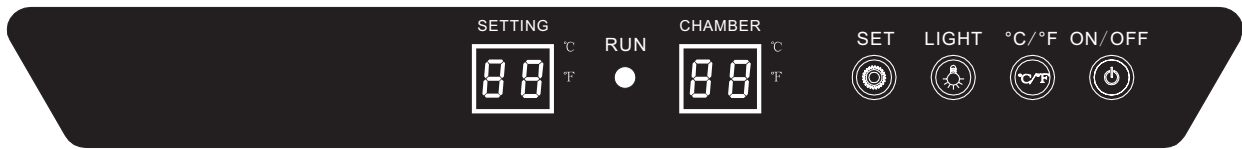
4. If the unit now rocks from one corner to the opposite rear corner, this means that the floor is uneven. You may need to put some packing under the ridge to the rear of the appliance . You could use thin pieces of solid material such as thin board, vinyl floor tiles or laminate .
5. You may now need to fine tune the installation by repeating steps 2, 3 and 4 .
6. Wipe off any dust that has accumulated during shipping and clean following the directions in Part VI (Care & Maintenance)
7. Plug the appliance into the power point. Don't use a double adaptor or extension cord .
8. It is recommended that you let the unit for rest an hour or two before you put any wine bottles in it . This will confirm that it is operating correctly and make the conditions appropriate for wine storage .

Congratulations! You have successfully installed your refrigerator.

DOOR LOCK

This unit comes with an optional key lock. The keys are located inside the plastic bag that contains the user manual. To lock the door, simply reverse the operation making sure the metal pin is engaged completely. Then remove the key and place it in a secure place for safekeeping. To unlock the door, insert the key into the lock and turn counterclockwise.

PART IV OPERATING YOUR REFRIGERATOR



KBUSF54B
SINGLE ZONE BEVERAGE COOLER

Each refrigerator includes an operating panel on the front of the unit. The operating panel includes the following features:

Display Windows:

RUN light: Indicator light of compressor working. While the compressor operating, the red light is on. While it stops operating, the red light is off.

CHAMBER: Displays the actual temperature of the chamber. The range is 32°F to 99°F (0°C - 37°C)

°C / °F light: When the °C light is on, it indicates Celsius temperature; When the °F light is on, it indicates Fahrenheit temperature.

Button Operation:

ON/OFF: Holding the button for at least 3 seconds, powers the unit ON or OFF.

LIGHT: Turns the interior light ON or OFF. (**Note:** Once the light is on, it will automatically turn OFF after 10 minutes.)

°C / °F: Celsius and Fahrenheit conversion button.

SET button: Temperature setting button; Once you press the button, the temperature increase 1°C or 1°F. Setting range is between 1°C~18°C or 34°F~64°F.

SETTING THE TEMPERATURE CONTROL

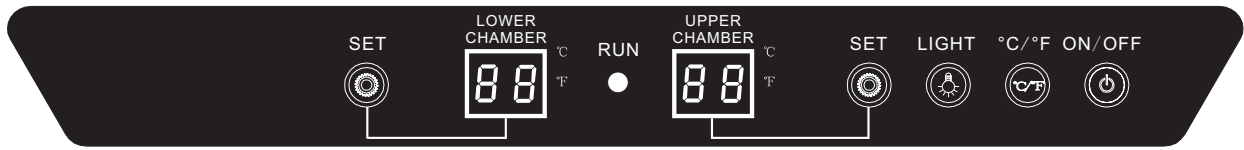
1. Make sure power cord is connected to a properly grounded outlet.
2. Turn Power ON.
3. Press the "SET" button to adjust the temperature. Once you press the button, the temperature increase 1°C or 1°F. Setting range is between 1°C~18°C or 34°F~64°F.

Note: This series of BEVERAGE COOLERS has its delay protection function. The compressor will start to work about 3 to 5 minutes after it is power connected or powered off. Please use the refrigerator under the N type of climate. The temperature inside the cabinet will fluctuate and influence the refrigerating effect if the surrounding temperature is too high or too cold.

 **CAUTION**

1. In the event of a power interruption, all previous temperature settings will be automatically saved and each compartment will return to the previous temperature setting.
2. If the unit is unplugged, loses power, or is turned off, there will be a 3-5 minute delay for the compressor to restart after the unit is powered ON.
3. When you use the refrigerator for the first time or restart the refrigerator after having been shut off for a long time, there will be a few degrees variance between the temperature you select and the one indicated on the LED readout for the first few hours of operation. After a few hours of operation, the temperature will normalize to the displayed temperature.

OPERATION



KBUSF54D DUAL ZONE WINE COOLER

Each refrigerator includes an operating panel on the front of the unit. This operating panel includes several features to operate and control the temperature of both the upper and lower zones of the wine cooler.

The operating panel includes the following features:

Display Windows:

RUN light: Indicator light of compressor working. While the compressor operating, the red light is on. While it stops operating, the red light is off.

UPPER CHAMBER: Displays the actual temperature of the upper chamber / zone. The range is 32°F to 99°F (0°C - 37°C)

LOWER CHAMBER: Displays the actual temperature of the lower chamber / zone. The range is 32°F to 99°F (0°C - 37°C)

°C / °F light: When the °C light is on, it indicates Celsius temperature; When the °F light is on, it indicates Fahrenheit temperature.

Button Operation:

ON/OFF: Holding the button for at least 3 seconds, powers the unit ON or OFF.

LIGHT: Turns the interior light ON or OFF. (**Note:** Once the light is on, it will automatically turn OFF after 10 minutes.)

°C / °F: Celsius and Fahrenheit conversion button.

SET button of the upper chamber: Temperature setting button; Once you press the button, the temperature increase 1°C or 1°F. Setting range is between 5°C~12°C or 41°F~54°F.

SET button of the lower chamber: Temperature setting button; Once you press the button, the temperature increase 1°C or 1°F. Setting range is between 12°C~22°C or 54°F~72°F.

SETTING THE TEMPERATURE CONTROL

IMPORTANT: IN ORDER FOR THIS UNIT TO FUNCTION AT OPTIMUM LEVEL, THE LOWER COMPARTMENT SHOULD BE SET AT LEAST 4-DEGREES (F) HIGHER THAN THE UPPER COMPARTMENT.

1. Make sure power cord is connected to a properly grounded outlet.
2. Turn Power ON.
3. Each zone is independently controlled. Press the "SET" button to adjust the temperature.
 - Upper Chamber / Zone: The temperature setting can be adjusted between 5°C~12°C or 41°F~54°F
 - Lower Chamber / Zone: The temperature setting can be adjusted between 12°C~22°C or 54°F~72°F

Note: This series of WINE & BEVERAGE COOLERS has its delay protection function. The compressor will start to work about 3 to 5 minutes after it is power connected or powered off. Please use the refrigerator under the N type of climate. The temperature inside the cabinet will fluctuate and influence the refrigerating effect if the surrounding temperature is too high or too cold.

TEMPERATURE SETTINGS FOR WINE SERVICE

Different varieties of wine require different temperature settings. The recommended temperature ranges for long term storage of different varieties of wine are listed below.

- Red Wines: 52-64°F
- White Wines: 44-51°F
- Sparkle Wines: 41-43°F

CAUTION

1. In the event of a power interruption, all previous temperature settings will be automatically saved and each compartment will return to the previous temperature setting.
2. If the unit is unplugged, loses power, or is turned off, there will be a 3-5 minute delay for the compressor to restart after the unit is powered ON.
3. When you use the refrigerator for the first time or restart the refrigerator after having been shut off for a long time, there will be a few degrees variance between the temperature you select and the one indicated on the LED readout for the first few hours of operation. After a few hours of operation, the temperature will normalize to the displayed temperature.

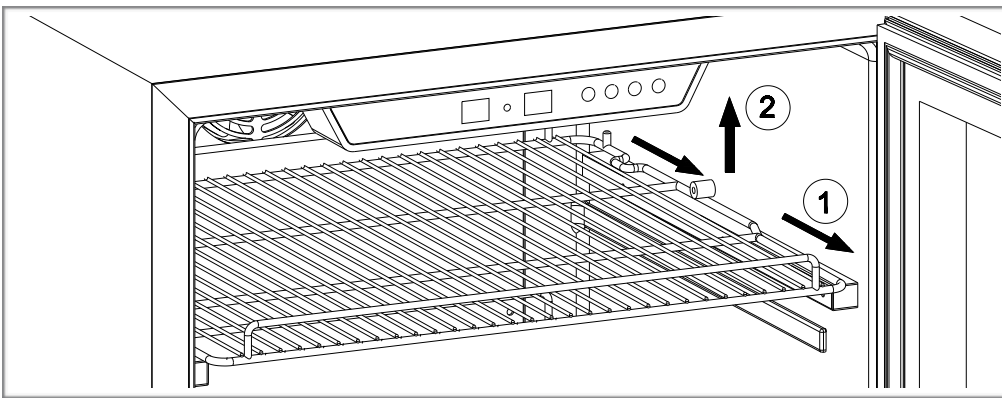
PART V LAYOUT AND STORAGE

YOUR CABINET WAS DESIGNED TO STORE A MAXIMUM NUMBER OF BOTTLES SECURELY. WE RECOMMEND THAT YOU OBSERVE THE TIPS BELOW TO OPTIMIZE LOADING.

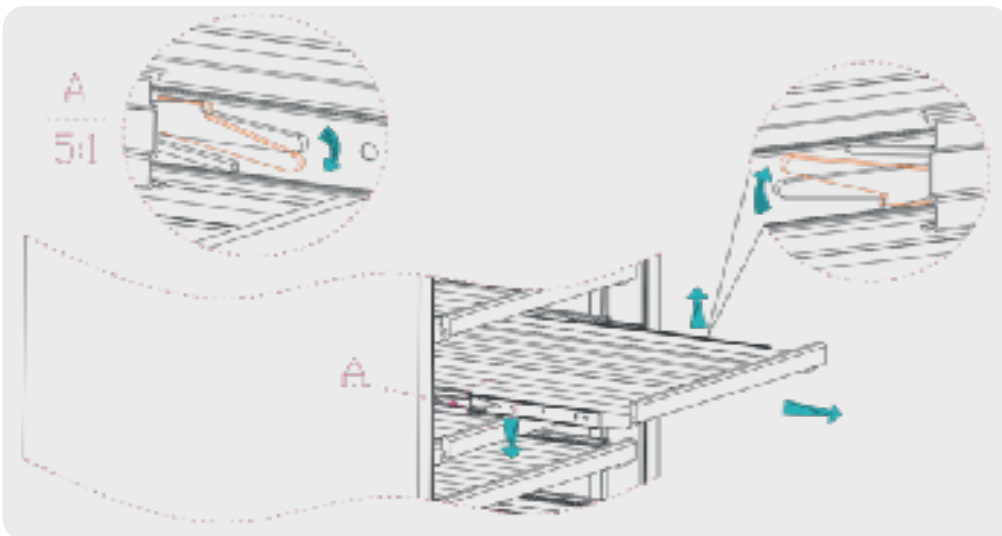
1. Disperse your bottles even so as not to concentrate weight in any one area. Also, be careful that your bottles do not touch either the back of the cabinet or the step at the bottom.
2. Also make sure that bottles are not all grouped together either at the top or bottom of the cabinet.
3. A cooler that is full and has nice allowance for air movement will work more efficiently.
4. Never try to adjust shelf with bottles still on it.

TO REMOVE A ROLLING SHELF:

1. Remove all bottles
2. Pull the shelf out as far as possible
3. Remove the shelf



KBUSF54B
BEVERAGE COOLER
METAL SHELVES



KBUSF54D
WINE COOLER
WOOD SHELVES



PLEASE NOTE

Before modifying your cabinet's original configuration in any way, be sure to ask your dealer for advice.

MAINTENANCE

PART VI CARE AND MAINTENANCE

CLEANING YOUR REFRIGERATOR



BEFORE CLEANING: Turn off the power, unplug the appliance, and remove all items including all shelves.

- Wash the inside surfaces with warm water and baking soda solution. The solution should be about 2 tablespoons of baking soda with a quart of water.
- Wash the shelves with a mild detergent solution.
- Wring excess water out of the sponge or cloth when cleaning area of the controls, or any electrical parts.
- Wash the outside cabinet with warm water and mild liquid detergent. Rinse well and wipe dry with a clean soft cloth.
- After installation, **we recommend that owners apply a thin layer of Olive Oil with a clean rag, to all exposed Stainless Steel areas.** This should then be polished in and buffed off with another clean rag to a non-oily finish. This process will aid protection against dirt and other corrosive contaminants, by providing a temporary food-safe shield. The Olive Oil layer also makes later polishing and removal of fingerprints easier. This process should be repeated frequently every 3-4 months. ALL stainless steel can rust, it is a myth that stainless steel doesn't rust.

POWER FAILURE

Most power failures are corrected within a few hours and should not affect the temperature of your appliance if you minimize the number of times the door is opened. If the power is going to be off for a longer period of time, you need to take the proper steps to protect your contents.

VACATION TIME

Short vacations: You may leave the refrigerator operating during vacations of less than three weeks.

Long vacations: If the appliance will not be used for several months, remove all items and turn off the appliance. Clean and dry the interior thoroughly. To prevent mold growth, leave the door open slightly, blocking it open if necessary.

MOVING YOUR Refrigerator

1. Remove all items.
2. Securely tape down all loose items (shelves) inside your appliance.
3. Turn the adjustable leg up to the base to avoid damage.
4. Tape the door shut.
5. Be sure the appliance stays secure in the upright position during transportation. Also protect the outside of the appliance with a blanket or similar item.

ENERGY SAVING TIPS

1. The refrigerator should be located in the coolest area of the room, away from heat producing appliances, and away from direct sunlight. Ventilation at rear also helps a lot with energy usage, so create a positive air flow where possible, although with this range they are designed to be fully built in.
2. When you are not using cooler during weekdays etc. it is recommended to set the temp at a higher level, so set at 64°F (18°C) during periods of non usage, this will not only mean less run time, it also still keeps drinks at a temp that won't be spoiled. It saves energy also which these days is a growing concern for most households.
3. Keep the cooler stocked, an empty cooler will run longer, believe it or not.

TROUBLESHOOTING GUIDE

PART VII TROUBLESHOOTING GUIDE

PROBLEM	POSSIBLE CAUSE	Solution
Refrigerator does not operate	1. Not plugged in 2. The appliance is turned OFF at the control panel 3. The circuit breaker has tripped or a fuse has blown out	Press ON/OFF Check and make sure the power plug is well connected Ask an engineer for help
Refrigerator is not cold enough; can not cool down to the preset temp.	Compressor does not start	ask an engineer for help / check the connection of the compressor
	Compressor self-protected and has stopped operating	The ambient temperature is too high (over 38C degree Celsius) The air venting is not smooth, check that the air duct is not blocked Fan operates slowly or is faulty and has stopped operating. The door is not closed completely, or the door opened too long The compressor, or its components are faulty
	Fans stop working or operate at low speed	Ask an engineer for help. Power the refrigerator ON and OFF. Check the fan and whether the voltage is normal. If the voltage is normal, then the fan should be damaged
	Evaporator ices up	Turn OFF the refrigerator for one hour and open the door. The ice on the evaporator will melt. Check the door seal for any air gaps.
	Door is not closed properly	Check the door lock, shelves, or other objects, make sure door is well closed. Check the rubber seal for any air gaps. Check the door hinges, make sure they are not loose
	Condenser is dusty	Wash and clean the condenser
	Cooling system faulty (Gas leakage or blockage)	Ask an engineer for help
Compressor starts and stops frequently	The door gasket does not seal properly.	Use low heat on a hair dryer to make the door seal take shape.
	The sensor connection is wrong.	Read the wiring diagram to make the correct connection of sensor
	The sensor is faulty.	Replace with a new sensor
	The door is opened too often.	Reduce the times / frequency of door openings.
The light does not work.	Not plugged in, or the light button is "OFF". Light itself faulty.	Check and make sure the light button is ON, or ask an engineer for help.
The Refrigerator seems to make too much noise.	The stand feet is not leveling, vibrations lead to noise	Adjust the stand feet and ensure they are level.
	Copper pipe hits other objects and makes noise	Gently adjust the position of the pipe.
	When the compressor shuts down or starts, it is normal for noise from the vibrations generated by the internal moving parts due to inertia. A liquid plumbing noise may come from the flow of the refrigerators gases, which is normal. As each cycle ends, you may hear gurgling sounds	Take no action Take no action
The door will not close properly.	Door is blocked by the door lock, shelves, or other objects.	Remove the barrier
	Door sealing rubber is deformed	Repair or replace the rubber seal
	Door hinges are not loose.	Adjust and fasten the hinges.
Ice up	Outlet / suction outlet blockage	Remove the barrier
	Fans stop working or operate at low speed.	Ask an engineer for help. Power the refrigerator ON and OFF. Check the fan and the voltage. If the voltage is normal, the fan may be damaged.
	The door gasket does not seal properly; or door is opened too often	Use low heat on a hair dryer to make the door seal take shape.
	Gas leakage or cooling system blockage	Ask an engineer for help
External cabinet seems too hot	Ambient temperature is too high, or direct sunshine	Operating conditions need to be improved
	Front grill outlet / suction outlet blockage	Remove the barrier
	Fans stop working or low speed operating	Ask engineer for help, power on the refrigerator, check the fan whether the voltage is normal or not. If the voltage is normal, the fan should be damage
Water drop on glass door	Ambient humidity is high	Use a soft cloth to clean the water
	Door is opened too often	Reduce the times / frequency of door opening.
	The door gasket does not seal properly	Use low heat on a hair dryer to make the door seal take shape.

TECHNICAL DATA

PART X TECHNICAL DATA

MODEL NO.	KBUSF54B	KBUSF54D
VOLUME	5.79 CF (164 Liter)	5.44 CF (154 Liter)
TYPE OF COOLING	compressor with air-circulated fan cooling	compressor with air-circulated fan cooling
CLIMATE TYPE	N	N
ELECTRICITY PROTECTION GRADE	I	I
NOMINAL VOLTAGE/FREQUENCY	110-115V/50-60HZ	110-115V/50-60HZ
RATED POWER(W)	100W / 1.1A	100W / 1.1A
AMBIENT TEMPERATURE	32 - 100 °F	32 - 100 °F
TEMPERATURE RANGE	1°C~18°C or 34°F~64°F	Upper Chamber / Zone: 5°C~12°C or 41°F~54°F; Lower Chamber / Zone: 12°C~22°C or 54°F~72°F
NET WEIGHT	114 lbs (52 KGS)	121 lbs (55 KGS)
DIMENSION	23.43"W x 23.62"D x 33.86"H; (595W x 600D x 860H mm) Included stand height 0.79" (20mm)	23.42"W x 23.62"D x 33.86"H; (595W x 600D x 860H mm) Included stand height 0.79" (20mm)

PART IX WARRANTY INFORMATION

Please speak to your retailer before calling **BTO AMERICA LIMITED** (also known as **KingsBottle USA**) if you did not purchase your refrigerator directly from BTO AMERICA LIMITED

Limited warranty – If your refrigerator is not operating properly, KingsBottle reserves the right to repair or replace the refrigerator. KingsBottle may request the consumer to contact a local refrigeration company to service the refrigerator. All cost for labor and materials is covered for 2 year from the date of receipt. If KingsBottle deems the unit not repairable, KingsBottle will use the value of your original order toward a replacement. For customer service, please contact **BTO AMERICA LIMITED** by e-mail (service@kingsbottle.com) .

The limited warranty does not cover: Damage due to such things as accident, misuse, abuse, mishandling, neglect, unauthorized repair or any other cause beyond the control of the seller whether similar or dissimilar to the foregoing. Purchaser understands and acknowledges that the goods sold here are WINE & BEVERAGE COOLERS, which house beer and other wine s. Purchaser assumes all the risk of using these units, including risk of spoilage, humidity variations, temperature variations, leaks, fires, water damage, mold, mildew, dryness and similar perils that may occur.

SPECIAL NOTE: Warranty is only honored for the unit which is purchased and used in United States of America. And, if your product was purchased at any 3rd party retailer and not directly from KingsBottle, we do not offer an extended warranty policy. You **MUST** contact the retailer of purchase directly. In the event your retailer does not offer an extended warranty plan, we recommend you contact a third party warranty provider. However, regardless of point of purchase, all KingsBottle coolers are backed by a TWO YEAR manufacturer's warranty from date of sale.