

USER MANUAL

KBU-21, KBU-52, KBU-68 SERIES



KBU-21



KBU-52



KBU-68

COMPRESSOR BEVERAGE COOLER



CONTENTS

CONGRATULATIONS

Congratulations and thank you for choosing our KingsBottle Beverage Coolers. We are sure you will find your new appliance a pleasure to use . Before you installing and operating the Beverage Cooler, we recommend that you read through the relevant sections of this manual, which provides a description of your Beverage Cooler and its functions .

To avoid the risks that are always present when you use an electric appliance, it is important that the appliance is installed correctly and that you read the safety instructions carefully to avoid misuse and hazards .

We recommend that you keep this instruction booklet for future reference and pass it on to any future owners .

After unpacking the appliance, please check it is not damaged . If in doubt, do not use the appliance but contact us or your local customer care centre

TABLE OF CONTENTS

CHAPTER	CONTENTS	PAGE
Part I	Important Safety & Pre-Use Instructions	3
Part II	Diagram & Description of Beverage Cooler	4
Part III	Installation Instructions	5
Part IV	Operating Your Beverage Cooler	6
Part V	Layout & Storage	7
Part VI	How to Use Your Shelving	8
Part VII	Care & Maintenance	8
Part VIII	Technical Data	9
Part IX	Troubleshooting Guide	10
Part X	Warranty Information	12

PART I IMPORTANT SAFETY INSTRUCTIONS

Please read the user manual carefully and store in a handy place for later reference . The symbols you will see in this booklet have these meanings:



This symbol indicates information concerning your personal safety



This symbol indicates information on how to avoid damaging the appliance



This symbol indicates tips and information about use of the appliance



This symbol indicates tips and information about economical and ecological use of the appliance



TO REDUCE THE RISK OF FIRE, ELECTRICAL SHOCK, OR INJURY WHEN USING YOUR APPLIANCE, FOLLOW THESE BASIC PRECAUTIONS:

1. Read all instructions before using the Beverage Cooler.
2. DANGER or WARNING: Risk of child entrapment. Child entrapment and suffocation are not only problems of the past. Junked or abandoned appliances are still dangerous... even if they will "just sit in the garage for a few days".
3. Before you throw away your old Beverage Cooler:
 - Take off the door.
 - Leave the Shelves in pieces so that children may not climb inside easily.
4. Never allow children to operate, play with, or crawl inside the appliance.
5. Never clean appliance parts with flammable fluids. The fumes can create a fire hazard or explosion.
6. Do not store in the vicinity of any other appliance. Do not store near gasoline or any other flammable vapours. The fumes can create a fire hazard or explosion.



7. The cooler must be plugged into its own dedicated 110-115V, 50/60Hz AC electrical outlet .
8. The plug must be accessible when the cooler is in position .
9. It is essential the power point is properly earthed to ground . Consult a qualified electrician if you are unsure .
10. Don't use extension cords or adapter plugs with this cooler .
11. If the power cord is damaged, have it replaced by a qualified service technician .
12. Unplug the cooler before cleaning it, or changing the light bulb to avoid electric shock .
13. Never unplug the cooler by pulling the electrical cord as this may damage it. Grip the plug firmly and pull straight out .
14. Choose a location for your cooler that isn't too cold . The ambient room temperature should be above 32°F .
15. Stand your cooler in a dry place – avoid areas of high moisture or humidity .
16. Don't put the cooler in frosty or unprotected areas like a garage or on the verandah .
17. Keep the cooler out of direct sunlight .
18. Don't locate the cooler near stoves, fires or heaters .
19. When installed correctly, your cooler should:
 - Have adequate space at the back and sides for air circulation.
 - Be aligned to the surrounding cupboards .
 - Have doors that will self-close from a partially open position

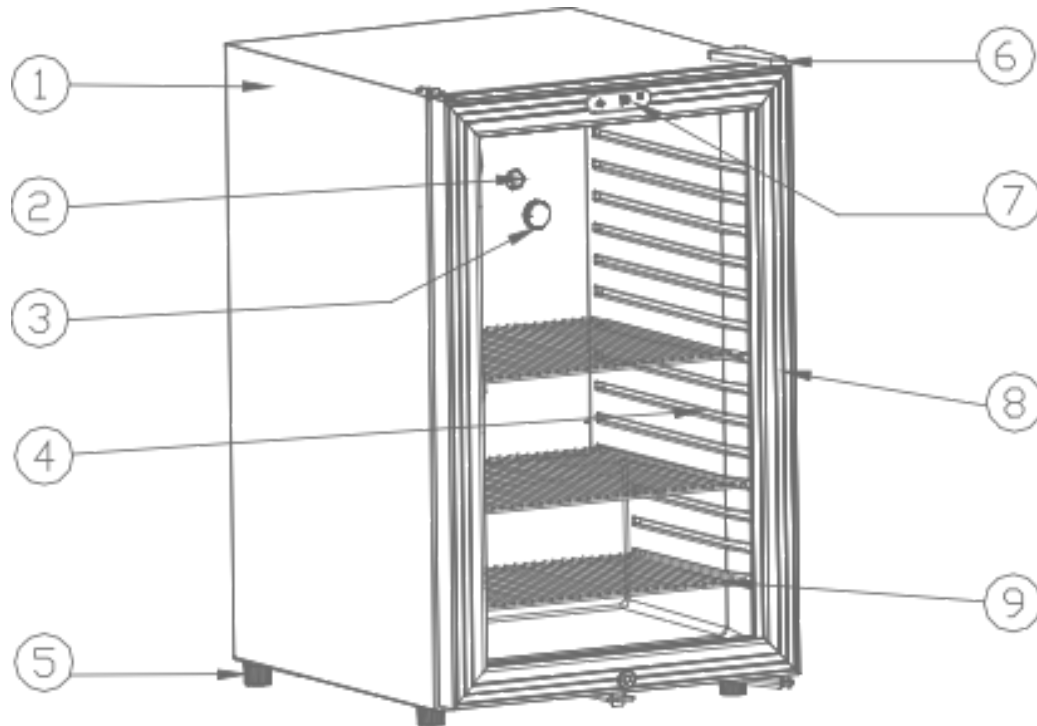
BEFORE USING YOUR BEVERAGE COOLER

1. Remove the exterior and interior packing.
2. Before connecting the Beverage Cooler to the power source, let it stand upright for approximately 24 hours. This will reduce the possibility of a malfunction in the cooling system from handling during transportation.
3. Clean the interior surface with lukewarm water using a soft cloth.

FEATURES

PART II DIAGRAM & DESCRIPTION OF BEVERAGE COOLER

FREE STANDING BEVERAGE COOLER: KBU-21, KBU-52, KBU-68 SERIES



- 1 Housings
- 2 ON/OFF
- 3 Temperature Setting

- 4 Interior cabinet
- 5 Adjustable Stand Feet
- 6 Door Hinge

- 7 Controller
- 8 Door
- 9 Adjustable Chromed Shelves

YOUR BEVERAGE COOLER ALSO INCLUDES THE FOLLOWING:

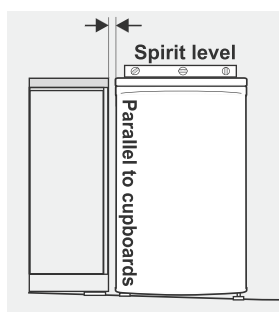
- Instruction manual
- Two keys
- Top and bottom hinges , also screws for changing the door hinge

INSTALLATION

PART III INSTALLATION INSTRUCTIONS

INSTALLING YOUR BEVERAGE COOLER

1. This appliance is designed for free standing installation. Place your Beverage Cooler on a bench that is strong enough to support it when it is fully loaded.
2. Move the appliance into its final position .
3. If the appliance is not tilting back as described earlier, minor adjustments can be made to the levelling legs.
4. Compare the alignment of the appliance to the surrounding cupboard . The top of the appliance should be level from side to side (see diagram below) .



5. If the appliance now rocks from one corner to the opposite rear corner, this means that the floor is uneven. You may need to put some packing under the ridge to the rear of the appliance . You could use thin pieces of solid material such as thin board, vinyl floor tiles or laminate .
6. You may now need to fine tune the installation by repeating steps 2, 3 and 4 .
7. Wipe off any dust that has accumulated during shipping and clean following the directions in Part VIII (Care & Maintenance)
8. Plug the appliance into the power point. Don't use a double adaptor or extension cord .
9. It is recommended that you let the appliance for an hour or two before you put any wine in it . This will confirm that it is operating correctly and make the conditions appropriate for wine storage .

Congratulations! You have successfully installed your cooler/refrigerator/freezer

DOOR LOCK

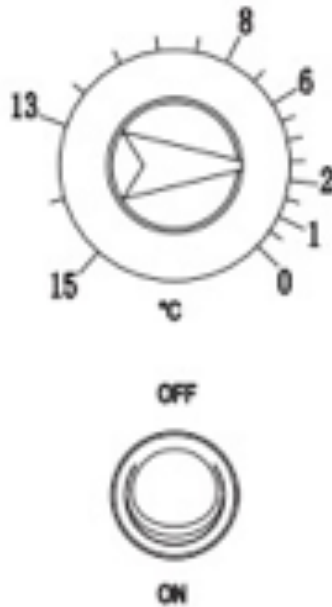
This unit comes with an optional key lock. The keys are located inside the plastic bag that contains the user manual. To unlock the door, insert the key into the lock and turn counterclockwise. To lock the door, simply reverse the operation making sure the metal pin is engaged completely. Then remove the key and place it in a secure place for safekeeping.

PART IV OPERATING YOUR BEVERAGE COOLER

Each cooler includes an Operating Panel on the front of the unit. This Operating Panel includes several features to operate and control the temperature of the appliance. The Operating Panel includes the following features.

ROTARY DIAL:

the arrow shown in the dials means the preset temperature value, you can adjust it between 32°F and 59°F (0 and 15 °C) , 36F to 38F (2°- 3 °C) is a good temperature to set it on, setting on 32°F (0°C) will ice unit up and mean manual defrosting will be needed..



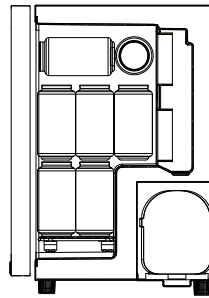
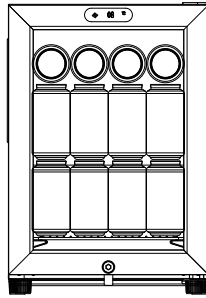
STORAGE

PART V LAYOUT AND STORAGE

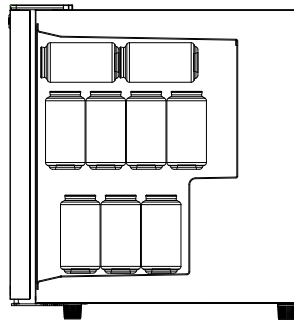
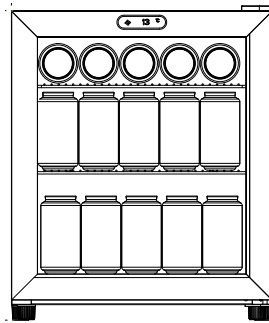
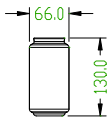
Your cabinet was designed to be flexible, to be able to adapt to your requirements.

Your cabinet was designed to store a maximum number of bottles securely. We recommend that you observe the tips below to optimise loading.

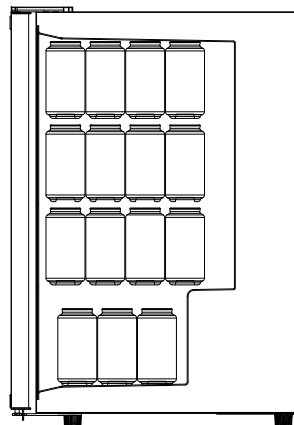
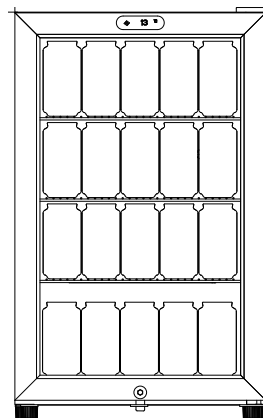
1. Disperse your bottles even so as not to concentrate weight in any one area. Also, be careful that your bottles do not touch either the back of the cabinet or the step at the bottom.
2. Also make sure that bottles are not all grouped together either at the top or bottom of the cabinet.
3. Never try to pull out more than one rolling shelf at a time.
4. Maximum capacity per shelf is 55 lbs
5. Storage in details for different models (see diagram below):



KBU-21



KBU-52



KBU-68



PLEASE NOTE

Before modifying your cabinet's original configuration in any way, be sure to ask your dealer for advice.

COMPRESSOR BEVERAGE COOLER

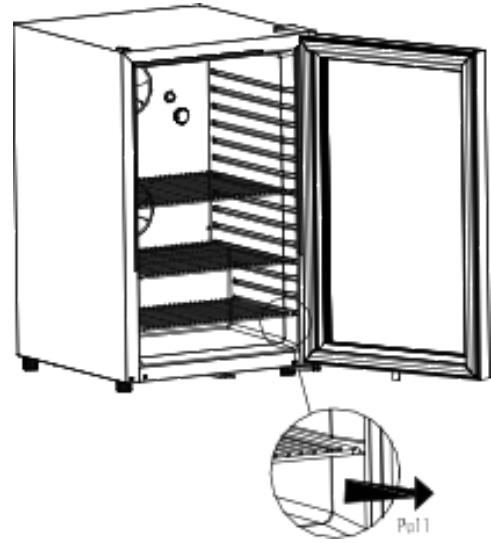


REMOVING SHELF

PART VI HOW TO USE YOUR SHELVING

SHELVES POSITION ADJUSTMENT

1. Max weight per shelf: 11 lbs (5 kgs)
2. To adjust shelving, slide out shelf, and replace into desired position



PART VII CARE AND MAINTENANCE

CLEANING YOUR BEVERAGE COOLER

WARNING

BEFORE CLEANING: Turn off the power, unplug the appliance, and remove all items including all shelves.

- Wash the inside surfaces with warm water and baking soda solution. The solution should be about 2 tablespoons of baking soda with a quart of water.
- Wash the shelves with a mild detergent solution.
- Wring excess water out of the sponge or cloth when cleaning area of the controls, or any electrical parts.
- Wash the outside cabinet with warm water and mild liquid detergent. Rinse well and wipe dry with a clean soft cloth.
- Dust the front grill and back of the unit twice yearly. Make sure the power is off before cleaning.
- It is recommended to clean the unit completely inside and out once a year to maximise the longevity of the Beverage Cooler.

POWER FAILURE

Most power failures are corrected within a few hours and should not affect the temperature of your appliance if you minimise the number of times the door is opened. If the power is going to be off for a longer period of time, you need to take the proper steps to protect your contents.

VACATION TIME

Short vacations: You may leave the Beverage Cooler operating during vacations of less than three weeks.

Long vacations: If the appliance will not be used for several months, remove all items and turn off the appliance. Clean and dry the interior thoroughly. To prevent mold growth, leave the door open slightly, blocking it open if necessary.

MOVING YOUR BEVERAGE COOLER

1. Remove all items.
2. Securely tape down all loose items (shelves) inside your appliance.
3. Turn the adjustable leg up to the base to avoid damage.
4. Tape the door shut.
5. Be sure the appliance stays secure in the upright position during transportation. Also protect the outside of the appliance with a blanket or similar item.

ENERGY SAVING TIPS

The Beverage Cooler should be located in the coolest area of the room, away from heat producing appliances, and away from direct sunlight.

TECHNICAL DATA

PART VIII

TECHNICAL DATA

	KBU-68	KBU-52	KBU-21
Capacity	2.4 CF (68 Liter)	1.84 CF (52Liter)	0.74 CF (21 Liter)
Type of cooling	compressor & air-circulated fan cooling	compressor & air-circulated fan cooling	compressor & air-circulated fan cooling
Climate type	N	N	N
Electricity protection grade	I	I	I
Nominal voltage/ Frequency	115V/60HZ	115V/60HZ	115V/60HZ
Rated power(W)	86W	76W	70W
Ambient Operating	32°F - 90°F (0-32°C)	32°F - 90°F (0-32°C)	32°F - 90°F (0-32°C)
Temperature Ranges	32°F - 59°F (0-15°C)	32°F - 59°F (0-15°C)	32°F - 59°F (0-15°C)
Range of inside cabinet humidity	>50%RH	>50%RH	>50%RH
Body size	17.1"W x 20.2"D x 28.2"H (435W x515D x715H mm)	17.1"W x 20.2"D x 20.7"H (435W x515D x525H mm)	13.8"W x 15.4"D x 20"H (350W x390D x510H mm)
Net weight	77.18 lb (35 kg)	63.95 lb (29 kg)	46 lb (21 kg)

COMPRESSOR BEVERAGE COOLER



TECHNICAL DATA

PART IX TECHNICAL DATA

You can solve many common Beverage Cooler problems easily, saving you and us the cost of a possible service call. Try the suggestions below to see if you can solve the problem before calling the service.

PROBLEM	POSSIBLE CAUSE	Solution
Cooler does not operate	<ol style="list-style-type: none"> 1. Not plugged in 2. The appliance is turned OFF 3. The circuit breaker tripped or a fuse has blown out 	Press ON/OFF Check and make sure the power plug is well connected Ask engineer for help
Cooler is not cold enough, or it does not cool down to preset temp.	Compressor does not start and the fan does not operate.	If the actual temperature is lower than the preset temperature, it is normal status that compressor and fan stop operating. Try to set the preset temperature to a lower temperature and check again. <ol style="list-style-type: none"> 1. If compressor and fan keep not working, ask engineer to check whether any damage or open circuit happen to the mechanical thermostat, fan or switching power supply. 2. If fan operates but compressor not, ask engineer to check whether any damage or open circuit happen to compressor or its accessories.
	Compressor stop operating but fan keeps operating all the time	Ambient temperature is too high and over 38C degree, or cooler is under direct sunlight. Move the unit to a place with lower ambient temperature. Power supply voltage is lower than necessary voltage. Door is not closed completely, or door rubber is not well sealed. Compressor or its components faulty
	Compressor operates, but fan stops working or low speed operating	Ask engineer to check whether any damage or open circuit happen to the fan or switching power supply.
	Door is not well closed	Check the door lock, shelves, or other objects, make sure door is well closed, make sure cooler is level. Check the sealing rubber, make sure door is well sealed. Check the door hinges, make sure they are not loose
	Cooling system faulty (Gas leakage or blockage)	Ask engineer for help
The light does not work.	Not plugged in, or the light button is "OFF". Light button or its PCB faulty.	Check and make sure the light button is ON, or ask engineer for help.
The cooler seems to make too much noise.	The stand feet is not leveling, vibrations lead to noise	Adjust the stand feet and assure they are on level.
	Pipe hit other objects and lead to noise	Adjust the position of pipe slightly
	At the moment of compressor shut down or start, it is normal for the noise from the vibration generated by the internal moving parts due to inertial motion.	No action is necessary
	The ratting noise may come from the flow of the refrigerator, which is normal. As each cycle ends, you may hear gurgling sounds, this is normal.	No action is necessary
The door does not close properly.	Door blocked by the security lock, shelves or other objects.	Remove the barrier
	Door sealing rubber is deformed	Repair or replace the rubber seal
Ice up	Ambient temperature is too high and over 38C degree, or cooler is under direct sunlight.	Move the unit to a place with lower ambient temperature.
	Fans stop working or low speed operating	Ask engineer for help
	The door gasket does not seal properly; or door is opened too often	Use hair dryer to blow hot air and make the door seal smooth.
	Gas leakage or cooling system blockage	Ask engineer for help

NOTES

WARRANTY

PART X WARRANTY INFORMATION

Please speak to your Retailer before calling **BTO AMERICA LIMITED** if you did not purchase your Beverage Cooler directly from **BTO AMERICA LIMITED**

Limited warranty – 90 day replacement plan with a free 9 months upgrade, totaling 1 year, on parts and labor from the date of shipment. For customer service, please contact **BTO AMERICA LIMITED** by e-mail (service@kingsbottle.com) .

The limited warranty does not cover: Damage due to such things as accident, misuse, abuse, mishandling, neglect, unauthorized repair or any other cause beyond the control of the seller whether similar or dissimilar to the foregoing. Purchaser understands and acknowledges that the goods sold here are Beverage Coolers, which house wine. Purchaser assumes all the risk of using these units, including risk of spoilage, humidity variations, temperature variations, leaks, fires, water damage, mold, mildew, dryness and similar perils that may occur.



COMPRESSOR BEVERAGE COOLER

