

USER MANUAL

KBU-E0800-FG / E1200-FG / E1600-FG / E3200-FG SINGLE ZONE MODELS



THERMOELECTRIC WINE CELLAR



CONTENTS

CONGRATULATIONS

Congratulations and thank you for choosing our KingsBottle Wine Cellars . We are sure you will find your new appliance a pleasure to use . Before you installing and operating the wine cellar, we recommend that you read through the relevant sections of this manual, which provides a description of your wine cellar and its functions .

To avoid the risks that are always present when you use an electric appliance, it is important that the appliance is installed correctly and that you read the safety instructions carefully to avoid misuse and hazards .

We recommend that you keep this instruction booklet for future reference and pass it on to any future owners .

After unpacking the appliance, please check it is not damaged . If in doubt, do not use the appliance but contact us or your local customer care centre

TABLE OF CONTENTS

CHAPTER	CONTENTS	PAGE
Part I	Important Safety & Pre-Use Instructions	3
Part II	Diagram & Description of Wine Cellar	4
Part III	Cutout Dimension Illustrated	5
Part IV	How to Install	6
Part V	Operating Your Wine Cellar	6
Part VI	Technical Data	7
Part VII	Care & Maintenance	8
Part VIII	Troubleshooting Guide	9
Part IX	Warranty Information	13

PART I IMPORTANT SAFETY INSTRUCTIONS

Please read the user manual carefully and store in a handy place for later reference . The symbols you will see in this booklet have these meanings:



WARNING

This symbol indicates information concerning your personal safety



CAUTION

This symbol indicates information on how to avoid damaging the appliance



TIPS & INFORMATION

This symbol indicates tips and information about use of the appliance



ENVIRONMENTAL TIPS

This symbol indicates tips and information about economical and ecological use of the appliance



WARNING

TO REDUCE THE RISK OF FIRE, ELECTRICAL SHOCK, OR INJURY WHEN USING YOUR APPLIANCE, FOLLOW THESE BASIC PRECAUTIONS:

1. Read all instructions before using the wine cellar.
2. DANGER or WARNING: Risk of child entrapment. Child entrapment and suffocation are not only problems of the past. Junked or abandoned appliances are still dangerous... even if they will "just sit in the garage for a few days".
3. Before you throw away your old wine cellar:
 - Take off the door.
 - Leave the Shelves in pieces so that children may not climb inside easily.
4. Never allow children to operate, play with, or crawl inside the appliance.
5. Never clean appliance parts with flammable fluids. The fumes can create a fire hazard or explosion.
6. Do not store in the vicinity of any other appliance. Do not store near gasoline or any other flammable vapors. The fumes can create a fire hazard or explosion.



WARNING

1. The cellar must be plugged into its own dedicated 110-115V, 50/60Hz AC electrical outlet .
2. The plug must be accessible when the cellar is in position .

3. It is essential the power point is properly earthed to ground . Consult a qualified electrician if you are unsure .
4. Don't use extension cords or adapter plugs with this cellar .
5. If the power cord is damaged, have it replaced by a qualified service technician .
6. Unplug the cellar before cleaning it, or changing the light bulb to avoid electric shock .
7. Never unplug the cellar by pulling the electrical cord as this may damage it. Grip the plug firmly and pull straight out .
8. It is recommended that you keep the wine cooler in a place where the ambient temperature is between 77-80.6°F
9. Don't put the cellar in frosty or unprotected areas like a garage or on the verandah .
10. Keep the cellar out of direct sunlight .
11. Don't locate the cellar near stoves, fires or heaters .
12. When installed correctly, your cellar should:
 - Have adequate space at the back and sides for air circulation (refer to page 6) .
 - Be aligned to the surrounding cupboards .

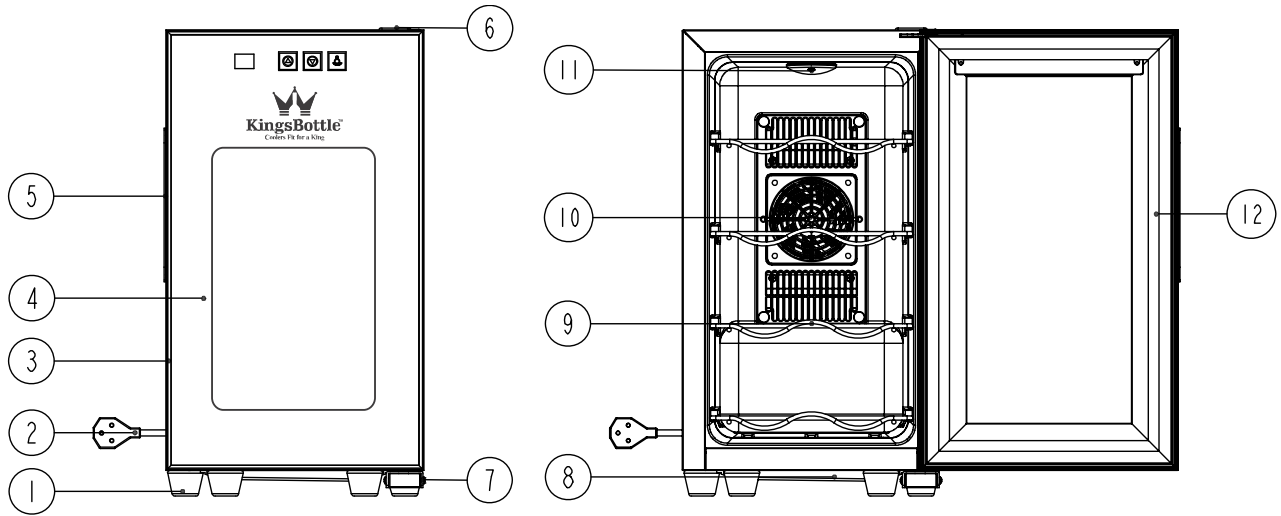
BEFORE USING YOUR WINE CELLAR

1. Remove the exterior and interior packing.
2. Before connecting the wine cellar to the power source, let it stand upright for approximately 24 hours. This will reduce the possibility of a malfunction in the cooling system from handling during transportation.
3. Clean the interior surface with lukewarm water using a soft cloth.

FEATURES

PART II DIAGRAM & DESCRIPTION OF WINE CELLAR

SINGLE ZONE WINE CELLAR MODELS: KBU-E0800-FG / E1200-FG / E1600-FG / E3200-FG



- | | |
|-------------------------|----------------------|
| 1. FOOT | 7. BOTTOM DOOR HINGE |
| 2. POWER CORD | 8. WATER TRAY |
| 3. DOOR FRAME | 9. SHELF |
| 4. GLASS DOOR | 10. COLD FAN MASK |
| 5. RECESSDE HANDLE | 11. LAMP COVER |
| 6. TOP DOOR HINGE COVER | 12. DOOR SEAL |

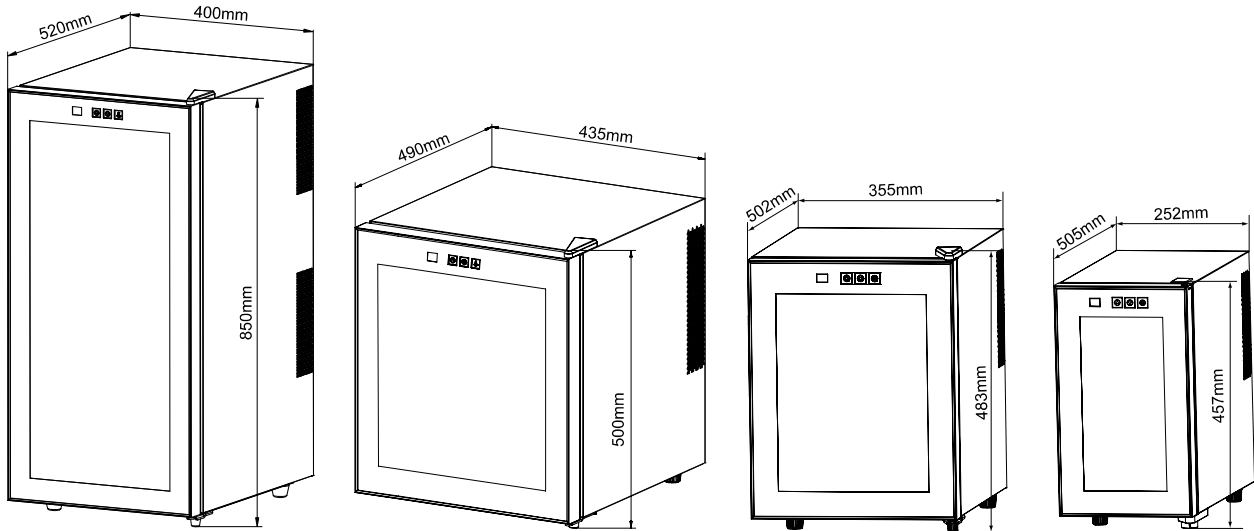
YOUR WINE CELLAR ALSO INCLUDES THE FOLLOWING:

- Instruction manual

Note: Above diagram and description is for SINGLE ZONE WINE CELLAR MODELS: KBU-E0800-FG / E1200-FG / E1600-FG / E3200-FG series

DIMENSIONS

PART III CUTOUT DIMENSION ILLUSTRATED



KBU-E3200-FG
15.7"W x 20.5"D x 33.5"H
(400W x 520D x 850H mm)

KBU-E1600-FG
17.1"W x 19.3"D x 19.9"H
(435W x 490D x 500H mm)

KBU-E1200-FG
14"W x 19.8"D x 19"H
(355W x 502D x 483H mm)

KBU-E0800-FG
9.9"W x 20"D x 18"H
(252W x 507D x 457H mm)

MODEL	WIDTH	DEPTH	HEIGHT
KBU-E3200-FG	15.7" 400mm	20.5" 520mm	33.5" 850mm
KBU-E1600-FG	17.1" 435mm	19.3" 490mm	19.9" 500mm
KBU-E1200-FG	14" 355mm	19.8" 502mm	19" 483mm
KBU-E0800-FG	9.9" 252mm	20" 507mm	18" 457mm

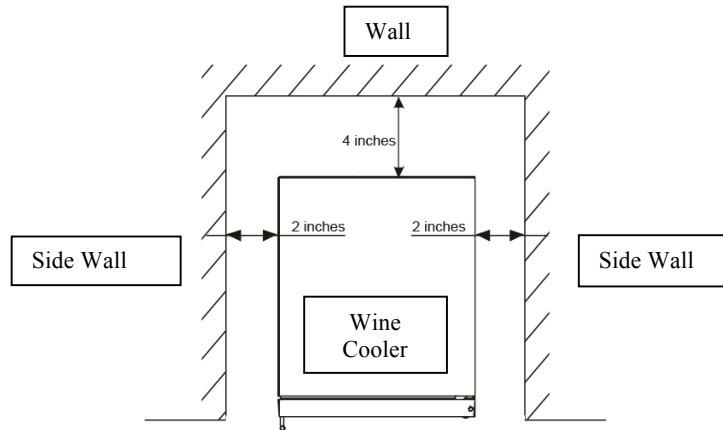
THERMOELECTRIC WINE CELLAR



INSTALLATION

PART IV How to install

1. Install wine cooler in a convenient location away from extreme heat and cold. Allow sufficient clearance between the wine cooler and side wall so that the door can open without obstruction. Wine cooler is not designed for recessed installation.
2. Select a space with strong floor support.
3. Allow minimum 2 inches of space between the wine cooler's sides and side wall, minimum 4 inches between back and the wall.



Free-standing installation:

A free-standing installation will allow you to install the wine cooler in almost any place you desire. You must follow the installed instructions, installation clearance, and leveling the wine cooler.

POWER CORD REPLACEMENT

If the Wine Cooler's power cord is damaged, have it replaced by a qualified repair agent.

PART V OPERATING YOUR WINE CELLAR

It is recommended that you keep the wine refrigerator in a place where the ambient temperature is between 77-80.6°F. If the ambient temperature is above or below recommended temperature, the performance of the unit may be affected. For example, placing in extreme cold or hot conditions may cause interior temperature to fluctuate. The range of 50-66°F may not be reached.

The display reflects the temperature at the center of the wine refrigerator. Temperature may fluctuate approximate +/-4 degrees at the top to the bottom.

The temperature may fluctuate depending on whether or not the interior light is on or off or whether the bottles are located on the upper/middle or lower section.

TEMPERATURE SETTINGS FOR WINE SERVICE:

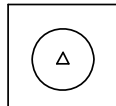
Different varieties of wine require different temperature setting. The recommended temperature ranges for serving different varieties of wine are listed below.

- Red Wines: 52-64°F (11-18°C)
- White Wines: 46-51°F (8-11°C)

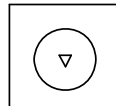
You can set the temperature as you desire by using the press buttons. Use the "▲" and "▼" to adjust the temperature by 1°F among 54-66°F / 46-66°F. You can turn the interior light on or off by pressing the "light" button.



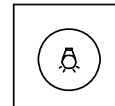
Temperature Display



Temperature Control Knob (+)



Temperature Control Knob (-)



Light Switch

TECHNICAL DATA

PART VI TECHNICAL DATA

MODEL NO.	KBU-E3200-FG	KBU-E1600-FG	KBU-E1200-FG	KBU-E0800-FG
ACCOMMODATION (BOTTLES)	32	16	12	8
TYPE OF COOLING	Thermoelectric cooling system	Thermoelectric cooling system	Thermoelectric cooling system	Thermoelectric cooling system
CLIMATE TYPE	N	N	N	N
ELECTRICITY PROTECTION GRADE	I	I	I	I
NOMINAL VOLTAGE/FREQUENCY	110-120V AC/60Hz	110-120V AC/60Hz	110-120V AC/60Hz	110-120V AC/60Hz
RATED POWER(W)	100W	70W	50W	50W
AMBIENT TEMPERATURE	54-66 °F	54-66 °F	54-66 °F	46-66 °F
NET WEIGHT	53.1 lbs (24.1KGS)	32.6 lbs (14.8 KGS)	26.9 lbs (12.2K GS)	20.7 lbs (9.4 KGS)
GROSS WEIGHT	60.2 lbs (27.3 KGS)	36.6 lbs (16.6 KGS)	30.4 lbs (13.8 KGS)	23.8 lbs (10.8 KGS)
DIMENSION	15.7"W x 20.5"D x 33.5"H (400W x 520D x 850H mm)	17.1"W x 19.3"D x 19.9"H (435W x 490D x 500H mm)	14"W x 19.8"D x 19"H (355W x 502D x 483H mm)	9.9"W x 20"D x 18"H (252W x 507D x 457H mm)

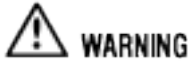
THERMOELECTRIC WINE CELLAR



MAINTENANCE

PART VII CARE & MAINTENANCE

CLEANING YOUR WINE CELLAR



BEFORE CLEANING: Turn off the power, unplug the appliance, and remove all items including all shelves.

- Wash the inside surfaces with warm water and baking soda solution. The solution should be about 2 tablespoons of baking soda with a quart of water.
- Wash the shelves with a mild detergent solution.
- Wash the outside cabinet with warm water and mild liquid detergent. Rinse well and wipe dry with a clean soft cloth.
- Make sure the power is off before cleaning.
- Unscrew the water box at the bottom, and wash it.
- It is recommended to clean the unit completely inside and out at least every three months to maximize the longevity of the wine cellar.

VACATION TIME

Short vacations: You may leave the Wine Cellar operating during vacations of less than three weeks.

Long vacations: If the appliance will not be used for several months, remove all items and turn off the appliance. Clean and dry the interior thoroughly. To prevent mold growth, leave the door open slightly, blocking it open if necessary.

MOVING YOUR WINE CELLAR

1. Remove all items.
2. Securely tape down all loose items (shelves) inside your appliance.
3. Turn the adjustable leg up to the base to avoid damage.
4. Tape the door shut.
5. Be sure the appliance stays secure in the upright position during transportation. Also protect the outside of the appliance with a blanket or similar item.

TROUBLESHOOTING

PART VIII TROUBLESHOOTING GUIDE

You can solve many common wine refrigerator problems easily, saving you the cost of a possible service call. Try the suggestions below to see if you can solve the problem before calling the customer service.

PROBLEM	POSSIBLE CAUSE
Wine refrigerator does not operate.	Not plugged in. The circuit breaker tripped or a blown fuse in your home.
Wine refrigerator is not cold enough.	Check the temperature control setting. External environment may be too hot. The door is opened too often. The door is not closed completely. The door seal does not seal properly. The wine refrigerator does not have the correct clearances.
The light does not work.	Call the service center.
Vibrations.	Check to assure that the wine refrigerator is level.
The wine refrigerator seems to make too much noise.	The wine refrigerator is not level. Check the fan.
The door will not close properly.	The wine refrigerator is not level. The doors were reversed and not properly installed. The seal is weak. The shelves are out of position.
LED could not display.	Main control board does not work.
Press-buttons are not functional.	Control panel is damaged.

NOTES



WARRANTY

PART IX WARRANTY INFORMATION

Please speak to your Retailer before calling **BTO AMERICA LIMITED** if you did not purchase your Wine Cellar directly from **BTO AMERICA LIMITED**

Limited warranty – 90 day replacement plan with a free 9 months upgrade, totaling 1 year, on parts and labor from the date of shipment. For customer service, please contact **BTO AMERICA LIMITED** by e-mail (service@kingsbottle.com) .

The limited warranty does not cover: Damage due to such things as accident, misuse, abuse, mishandling, neglect, unauthorized repair or any other cause beyond the control of the seller whether similar or dissimilar to the foregoing. Purchaser understands and acknowledges that the goods sold here are wine cellars, which house wine. Purchaser assumes all the risk of using these units, including risk of spoilage, humidity variations, temperature variations, leaks, fires, water damage, mold, mildew, dryness and similar perils that may occur.

