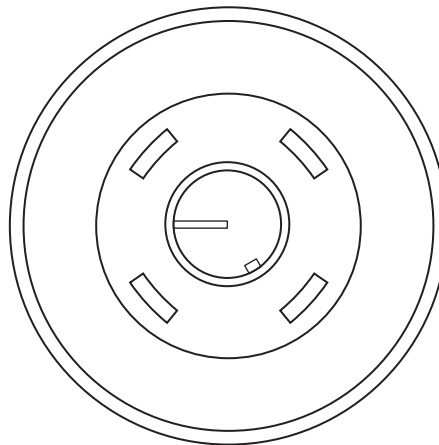
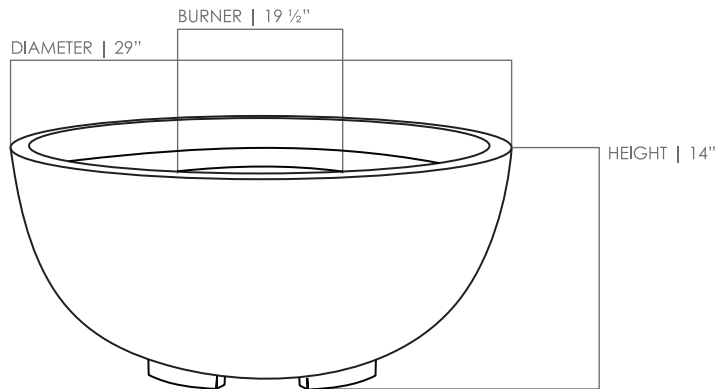


FIRE FEATURES

THE PRO BOWL



SPECIFICATIONS

Diameter	29"
Bottom Diameter	14"
Height	14"
Burner Size	19 1/2" Diameter / 65,000 BTU
Weight	90 lbs.
Fuel Source	LP or NG
Ignition	Key Valve
Materials	Glass fiber reinforced cement

*CSA listed burner, stainless steel insert. Installation instructions & nylon lifting strap included. 24 Month warranty.

AVAILABLE COLORS



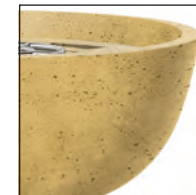
Pewter



Natural



Ebony



Sand



Sienna



Cafe

Included Media:
3/4" Lava Rock



The Pro Bowl Fire Pit is the Perfect Fire Bowl for Outdoor Entertainment and Enjoyment. Our original design, the round shape provides a beautiful centerpiece for any backyard, patio or lounging area.

The Pro Bowl comes with a stainless steel fire ring insert, a gas key valve and all the gas connections needed. This unit is Hand Crafted to perfection in the USA and is available in several stain finish options. The fire pit featured is shown in the Pewter finish. Available in Natural Gas or Propane.

