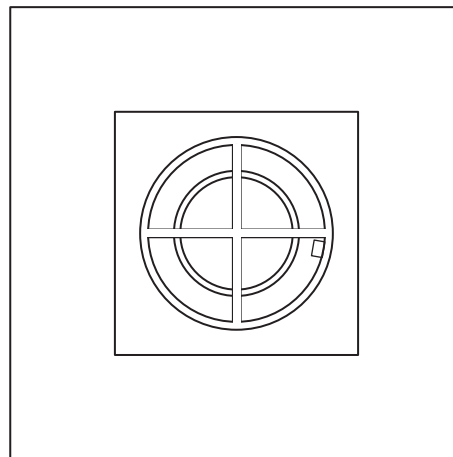
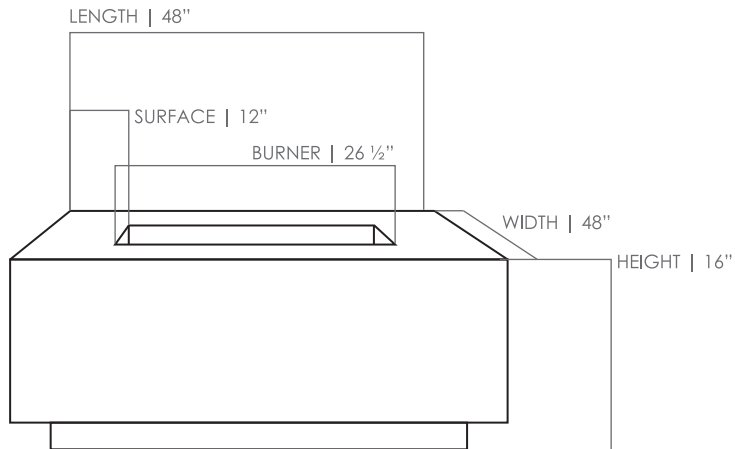


FIRE FEATURES

# LAGUNA



### SPECIFICATIONS

Width	48"
Length	48"
Height	16"
Surface	12"
Burner Size	26 1/2" / 65,000 BTU
Weight	450 lbs.
Fuel Source	LP or NG
Ignition	Electric Ignition
Materials	Glass fiber reinforced cement

\*CSA listed burner, stainless steel insert. Installation instructions & nylon lifting strap included. 24 Month warranty.

### AVAILABLE COLORS



Pewter



Natural



Ebony



Sand



Sienna



Cafe

*Included Media:  
3/4" Lava Rock*



Our Square Laguna Fire Table provides warmth and ambiance for your modern outdoor retreat. This model has a 12 inch top surface edge that doubles as a convenient table top area to enjoy finger foods and beverages with a comfortable 16 inch height for seating, all at an adequate distance from the flame. This beautiful fire pit is carefully hand crafted in the USA using a custom patina finishing process that guarantees each piece is a one-of-a-kind creation with subtle variation. Includes a Stainless Steel Fire Pit Ring Insert that will accommodate use with either Natural Gas or Propane. A truly Instant upgrade to any Outdoor Living Area.

