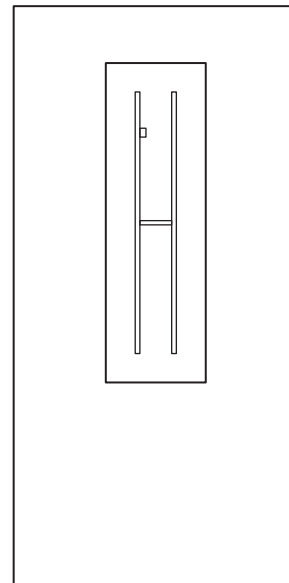
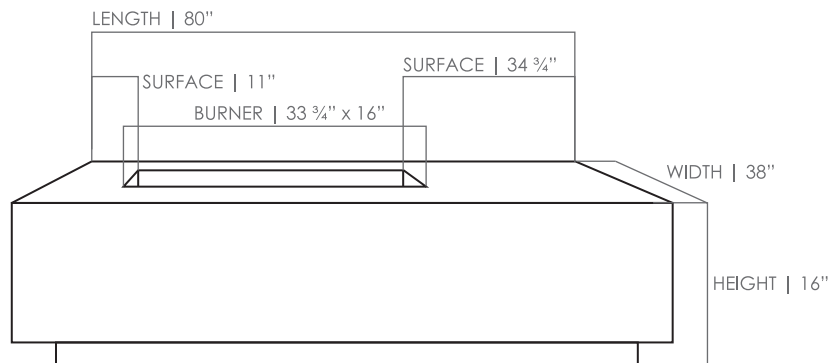


FIRE FEATURES

HAMPTON



SPECIFICATIONS

Width	38"
Length	80"
Height	16"
Surface	11" / 33 3/4"
Burner Size	33 3/4" x 16" / 65,000 BTU
Weight	650 lbs.
Fuel Source	LP or NG
Ignition	Electric Ignition
Materials	Glass fiber reinforced cement

*CSA listed burner, stainless steel insert. Installation instructions & nylon lifting strap included. 24 Month warranty.

AVAILABLE COLORS



Pewter



Natural



Ebony



Sand



Sienna



Cafe

The Hampton Fire Pit Table offers an elegant outdoor retreat of warmth and ambiance. Each Fire Pit Table has been hand-crafted in the USA using our custom patina finishing process which offers a one of a kind creation with subtle variation.

The Hampton Fire Pit Table was designed for unmatched outdoor living with modern luxury and design in mind. The extra 35 inch surface area provides extra space and distance from the flame allowing extra space for appetizers and beverages or even seating. The 16" height provides a perfect level for lounging and relaxing while sitting fireside.

