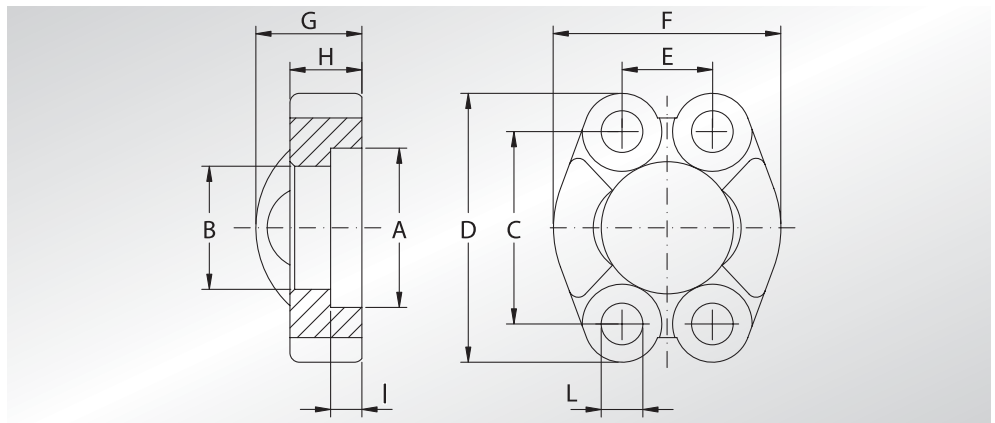




**SEMIFLANGE
INTERE**

**UNCUT
SPLIT FLANGES**



| Pressione max di esercizio raccomandata Kg/cm ² | Grandezza | Tipo | Dimensioni | | | | | | | | | | Viti | | Peso Kg |
|--|-----------|------|------------|---|---|---|---|---|---|---|---|---|--------|-----|-----------|
| Maximum recommended working pressure Kg/cm ² | Size | Type | Dimensions | | | | | | | | | | Screws | | Weight Kg |
| | | | A | B | C | D | E | F | G | H | I | L | Metric | Unc | |

SERIE 3000

| | | | | | | | | | | | | | | | |
|-----|-------|--------------|--------|--------|--------|-----|-------|-------|----|----|-------|-------|--------|------------|------|
| 345 | 1/2" | AFSI301 | 30,96 | 24,26 | 38,10 | 54 | 17,48 | 45,6 | 19 | 13 | 6,22 | 8,75 | M8x30 | 5/16x1"1/4 | 0,12 |
| 345 | 3/4" | AFSI302 | 38,89 | 32,13 | 47,63 | 65 | 22,23 | 51,8 | 22 | 14 | 6,22 | 10,75 | M10x35 | 3/8x1"1/2 | 0,16 |
| 345 | 1" | AFSI303 | 45,24 | 38,48 | 52,37 | 70 | 26,19 | 58,4 | 24 | 16 | 7,49 | 10,75 | M10x35 | 3/8x1"1/2 | 0,22 |
| 276 | 1"1/4 | AFSI304 | 51,59 | 43,69 | 58,72 | 79 | 30,18 | 72,6 | 22 | 14 | 7,49 | 12,00 | M10x35 | — | 0,30 |
| 276 | 1"1/4 | AFSI304L1075 | 51,59 | 43,69 | 58,72 | 79 | 30,18 | 72,6 | 22 | 14 | 7,49 | 10,75 | M10x35 | — | 0,30 |
| 276 | 1"1/4 | AFSI304L1275 | 51,59 | 43,69 | 58,72 | 79 | 30,18 | 72,6 | 22 | 14 | 7,49 | 12,75 | M12x35 | — | 0,30 |
| 207 | 1"1/2 | AFSI305 | 61,09 | 50,80 | 69,85 | 94 | 35,71 | 82,2 | 25 | 16 | 7,49 | 13,50 | M12x35 | — | 0,43 |
| 207 | 1"1/2 | AFSI305L1475 | 61,09 | 50,80 | 69,85 | 94 | 35,71 | 82,2 | 25 | 16 | 7,49 | 14,75 | M14x45 | — | 0,43 |
| 207 | 2" | AFSI306 | 72,24 | 62,74 | 77,77 | 102 | 42,88 | 96,4 | 26 | 16 | 9,02 | 13,50 | M12x35 | — | 0,56 |
| 207 | 2" | AFSI306L1475 | 72,24 | 62,74 | 77,77 | 102 | 42,88 | 96,4 | 26 | 16 | 9,02 | 14,75 | M14x45 | — | 0,54 |
| 172 | 2"1/2 | AFSI307 | 84,94 | 74,93 | 88,90 | 114 | 50,80 | 108,2 | 38 | 19 | 9,02 | 13,50 | M12x40 | 1/2x1"3/4 | 0,74 |
| 172 | 2"1/2 | AFSI307L1475 | 84,94 | 74,93 | 88,90 | 114 | 50,80 | 108,2 | 38 | 19 | 9,02 | 14,75 | M14x45 | — | 0,74 |
| 138 | 3" | AFSI308 | 102,39 | 90,93 | 106,38 | 135 | 61,93 | 130,6 | 41 | 22 | 9,02 | 16,75 | M16x50 | 5/8x2" | 1,30 |
| 34 | 3"1/2 | AFSI309 | 115,10 | 102,36 | 120,65 | 152 | 69,85 | 139,0 | 28 | 22 | 10,72 | 17,00 | M16x50 | 5/8x2" | 1,27 |
| 34 | 4" | AFSI310 | 127,79 | 115,06 | 130,18 | 162 | 77,77 | 152,0 | 35 | 25 | 10,72 | 17,00 | M16x50 | 5/8x2" | 1,65 |
| 34 | 5" | AFSI311 | 153,19 | 140,46 | 152,40 | 184 | 92,08 | 180,0 | 41 | 28 | 10,72 | 17,00 | M16x50 | 5/8x2" | 2,50 |

SERIE 6000

| | | | | | | | | | | | | | | | |
|-----|-------|------------|-------|-------|-------|-----|-------|-------|----|----|-------|-------|--------|------------|------|
| 414 | 1/2" | AFSI601 | 32,54 | 24,64 | 40,49 | 56 | 18,24 | 47,2 | 22 | 16 | 7,24 | 8,75 | M8x30 | 5/16x1"1/4 | 0,16 |
| 414 | 3/4" | AFSI602 | 42,06 | 32,51 | 50,80 | 71 | 23,80 | 60,0 | 28 | 19 | 8,26 | 11,00 | M10x35 | 3/8x1"1/2 | 0,34 |
| 414 | 1" | AFSI603 | 48,41 | 38,86 | 57,15 | 81 | 27,76 | 69,6 | 33 | 24 | 9,02 | 13,00 | M12x45 | — | 0,51 |
| 414 | 1" | AFSI603L12 | 48,41 | 38,86 | 57,15 | 81 | 27,76 | 69,6 | 33 | 24 | 9,02 | 12,00 | — | 7/16x1"3/4 | 0,51 |
| 414 | 1"1/4 | AFSI604 | 54,76 | 44,45 | 66,68 | 95 | 31,75 | 77,2 | 38 | 27 | 9,78 | 15,00 | M14x45 | — | 0,80 |
| 414 | 1"1/4 | AFSI604L13 | 54,76 | 44,45 | 66,68 | 95 | 31,75 | 77,2 | 38 | 27 | 9,78 | 13,50 | M12x45 | 1/2x1"3/4 | 0,80 |
| 414 | 1"1/2 | AFSI605 | 64,29 | 51,56 | 79,38 | 113 | 36,50 | 95,0 | 43 | 30 | 12,07 | 17,00 | M16x50 | 5/8x2" | 1,44 |
| 414 | 2" | AFSI606 | 80,16 | 67,56 | 96,82 | 133 | 44,45 | 113,8 | 52 | 37 | 12,07 | 21,00 | M20x70 | 3/4x2"1/2 | 2,10 |

**DESIGNAZIONE PER ORDINE
DESIGNATION FOR ORDER**

Solo semiflanguia intera
Only uncut split flange

Semiflanguia intera completa di viti metriche, grower e o-ring
Uncut split flange complete of metric screws, grower type washers and o-ring

Semiflanguia intera completa di viti unc, grower e o-ring
Uncut split flange complete of unc screws, grower type washers and o-ring

Materiale / Material

ST52.3 **AISI 316L**

AFSI... **AFXI...**
AFSI...L **AFXI...L**

AFSI...M **AFXI...M**

AFSI...U **AFXI...U**

NOTE / NOTES

Rivestimento superficiale: zincatura.
Superficial coating: zinking.

set viti unc disponibili solo in acciaio al carbonio.
unc screws set available only in carbon steel.