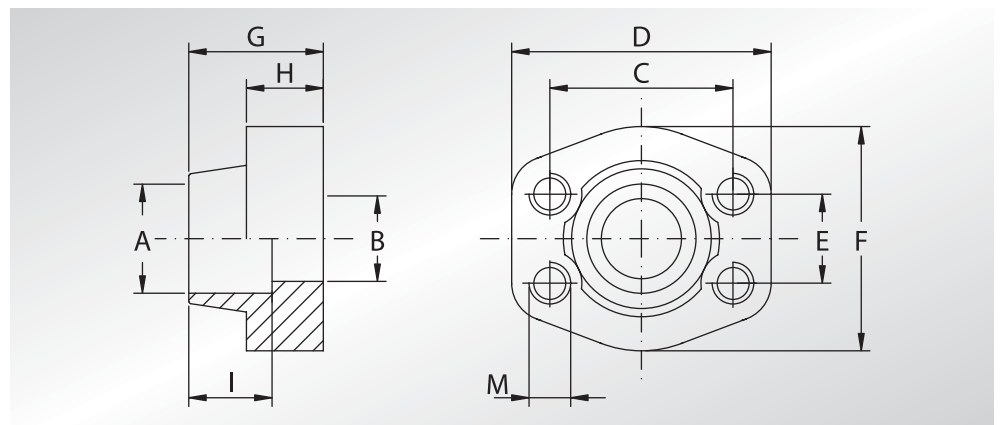




CONTROFLANGE A SALDARE DI TASCA

WELD IN COUNTER-FLANGES



Pressione max di esercizio raccomandata Kg/cm ²	Grandezza	Tipo	Dimensioni										Peso Kg	
			Dimensions											
Maximum recommended working pressure Kg/cm ²	Size	Type	A	B	C	D	E	F	G	H	I	M	Weight Kg	
SERIE 3000												Metric	Unc	
345	1/2"	GFS080S	21,6	13	38,10	57	17,48	46	36	16	19	M8	5/16	0,25
345	1/2"	GFS080S038	17,5	13	38,10	57	17,48	46	36	16	19	M8	5/16	0,28
345	3/4"	GFS100S	27,2	19	47,63	65	22,23	50	36	18	19	M10	3/8	0,39
345	1"	GFS102S	34,0	25	52,37	70	26,19	55	38	18	19	M10	3/8	0,46
276	1"1/4	GFS104S	42,8	32	58,72	79	30,18	68	41	21	22	M10	7/16	0,71
207	1"1/2	GFS106S	48,6	38	69,85	93	35,71	78	45	25	24	M12	1/2	1,11
207	2"	GFS108S	61,0	51	77,77	102	42,88	90	45	25	26	M12	1/2	1,19
172	2"1/2	GFS110S	76,6	63	88,90	114	50,80	105	50	25	30	M12	1/2	1,40
138	3"	GFS112S	90,5	73	106,38	134	61,93	124	50	27	34	M16	5/8	2,15
34	3"1/2	GFS114S	103,0	89	120,65	152	69,85	136	48	27	34	M16	5/8	2,40
34	4"	GFS116S	115,5	99	130,18	162	77,77	146	48	27	34	M16	5/8	2,85
34	5"	GFS118S (•)	142,0	120	152,40	184	92,08	180	50	28	28	M16	5/8	5,80
SERIE 6000														
414	1/2"	GFS401S012	21,6	13	40,49	57	18,24	46	36	16	19	M8	5/16	0,26
414	1/2"	GFS401S038	17,5	13	40,49	57	18,24	46	36	16	19	M8	5/16	0,29
414	3/4"	GFS402S	27,2	19	50,80	71	23,80	55	35	21	22	M10	3/8	0,50
414	1"	GFS403S	34,0	25	57,15	81	27,76	65	42	25	22	M12	7/16	0,76
414	1"1/4	GFS404S	42,8	32	66,68	95	31,75	78	45	27	25	M14	1/2	1,20
414	1"1/2	GFS405S	48,6	38	79,38	112	36,50	94	50	30	28	M16	5/8	1,94
414	2"	GFS406S	61,0	51	96,82	134	44,45	114	65	37	24	M20	3/4	3,42
414	2"1/2	GFS507S	76,6	63	123,80	180	58,70	152	80	45	32	M24	-	6,75
414	3"	GFS508S	90,5	73	152,40	208	71,40	178	90	55	30	M30	-	-

DESIGNAZIONE PER ORDINE DESIGNATION FOR ORDER

Materiale / Material

ST52.3 AISI 316L

Controflangia con fori di fissaggio filettati metrici
Counter-flange with metric threaded fixing holes

GFS...S

GFX...S

Controflangia con fori di fissaggio filettati unc
Counter-flange with unc threaded fixing holes

GFS...SU

GFX...SU

NOTE / NOTES

- (•) Solo in ST52.3
- (•) Only in ST52.3