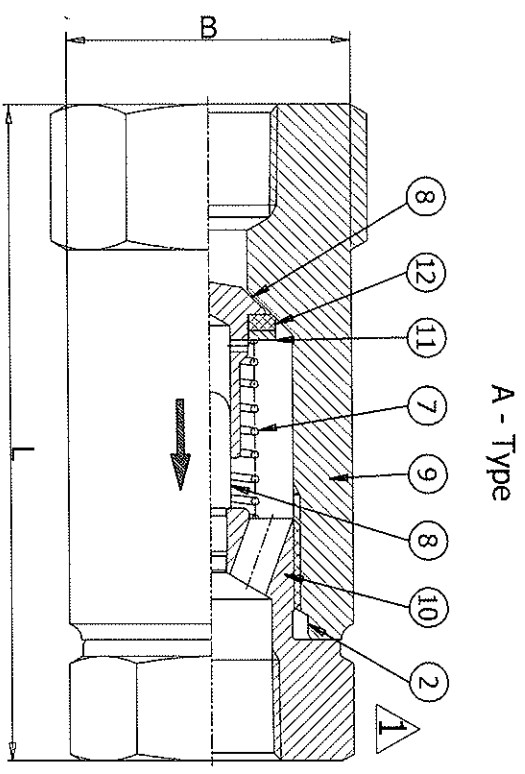


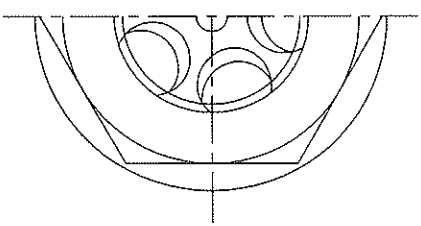
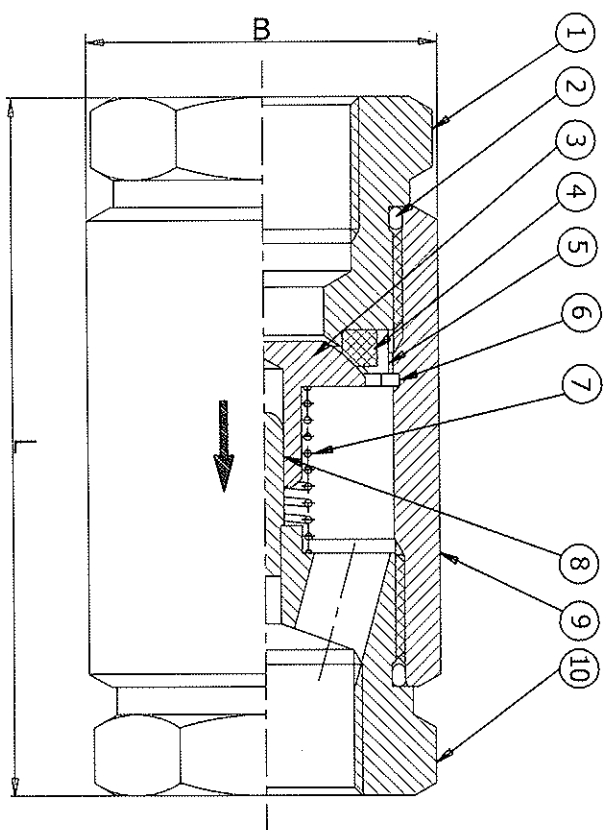
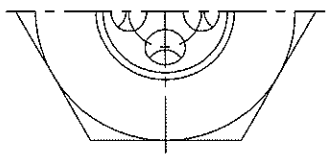
REV.	DETAIL OF REVISION	DATE	APPROVED
1	DETAIL	2013.03.07	M.S PARK
2	Kgf/Cm ² → bar	2014.11.05	M.S PARK

NOTE

1. NOMINAL WORKING PRESSURE : 1/4" - 1" 420 bar Δ
1-1/4" - 2" 315/350 bar
2. OPERAING TEMPERATURE : -54°C - 150°C
3. OPENING PRESSURE : 1 Kgf/Cm²
4. APPLICABLE SYSTEM : FUEL OIL , LUB , OIL , INDUSTRIAL WATER
5. MARKING : PART NUMBER / SIZE / BRAND



A - Type



Model	1/4	3/8	1/2	3/4	1"	1-1/4	1-1/2	2"	
L	67	81.5 Δ	89	115.5	127.5	138.5 Δ	166	193 Δ	
B	23	35	49.5	54.5	64.5	84.5	89.5	104	
W/P	420	420	420	420	420	315/ 350	315/ 350	315/ 350	
Type Δ	A - type				B - Type				

12	PACKING	1	VITON	Δ
11	WASHER	1	SUS316	Δ
10	OUTLET CONNECTOR	1	SUS316	
9	BODY	1	SUS316	
8	GUIDE PIN	1	SUS316	
7	SPRING	1	SWP-A	
6	C-RING	1	SK5	
5	DISC CAP	1	SUS316	
4	SEAT	1	PTFE + G30%	
3	DISC	1	SUS316	
2	O-RING	1	VITON	
1	INLET CONNECTOR	1	SUS316	
NO.	NAME	Q.TY	MATERIAL	REMARKS
DATE	2012.11.08	SCALE	N / S	
DRAWN	CHKD	APPD	CUSTOMER	
M.S PARK				

SHINILACE

DWG No. SA-12075-1

NON-RETURN VALVES
(1/4" - 2")