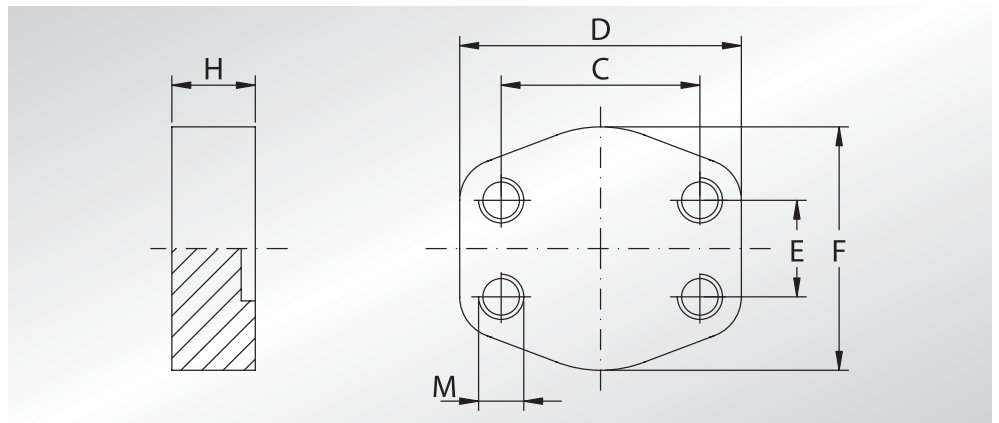




# CONTROFLANGE CIECHE

## BLIND COUNTER-FLANGES



Pressione max di esercizio raccomandata Kg/cm <sup>2</sup>	Grandezza	Tipo	Dimensioni							Peso Kg
			Dimensions							
Maximum recommended working pressure Kg/cm <sup>2</sup>	Size	Type	C	D	E	F	H	M	Weight Kg	
<b>SERIE 3000</b>			<b>Metric      Unc</b>							
345	1/2"	GFC080	38,10	56	17,48	46	16	M8x30	5/16	0,25
345	3/4"	GFC100	47,63	65	22,23	50	18	M10x35	3/8	0,34
345	1"	GFC102	52,37	70	26,19	60	19	M10x35	3/8	0,46
276	1"1/4	GFC104	58,72	79	30,18	68	18	M10x40	7/16	0,60
207	1"1/2	GFC106	69,85	93	35,71	78	20	M12x45	1/2	0,89
207	2"	GFC108	77,77	102	42,88	90	20	M12x45	1/2	1,15
172	2"1/2	GFC110	88,90	114	50,80	105	20	M12x45	1/2	1,47
138	3"	GFC112	106,38	134	61,93	124	24	M16x50	5/8	2,47
34	3"1/2	GFC114	120,65	152	69,85	136	22	M16x50	5/8	3,00
34	4"	GFC116	130,18	162	77,77	146	25	M16x50	5/8	3,98
34	5"	GFC118 (•)	152,40	190	92,08	170	28	M16x50	5/8	4,10
<b>SERIE 6000</b>										
414	1/2"	GFC401	40,49	56	18,24	48	16	M8x30	5/16	0,25
414	3/4"	GFC402	50,80	71	23,80	60	19	M10x35	3/8	0,46
414	1"	GFC403	57,15	81	27,76	70	24	M12x45	7/16	0,84
414	1"1/4	GFC404	66,68	95	31,75	78	27	M14x45	1/2	1,24
414	1"1/2	GFC405	79,38	112	36,50	94	30	M16x50	5/8	1,89
414	2"	GFC406	96,82	134	44,45	114	30	M20x60	3/4	2,69
414	2"1/2	GFC507	123,80	180	58,70	152	45	M24x100	—	
414	3"	GFC508	152,40	208	71,40	178	55	M30x100	—	

### DESIGNAZIONE PER ORDINE DESIGNATION FOR ORDER

Controflangia con fori di fissaggio filettati metrici  
Counter-flange with metric threaded fixing holes

### Materiale / Material

**ST52.3**      **AISI 316L**

**GFC...**      **GFCX...**

Controflangia con fori di fissaggio filettati unc  
Counter-flange with unc threaded fixing holes

**GFC...U**      **GFCX...U**

### NOTE / NOTES

- (•) Solo in ST52.3
- (•) Only in ST52.3