

# AREC CI-T25H

Professional Auto-Tracking PTZ Conference Camera



CI-T25H

5x Wide-Angle  
Optical Zoom Lens

## Perfect Combination of Compact PTZ Camera and Auto-Tracking Technology

AREC CI-T25H Auto-Tracking PTZ Camera is a professional-grade wide-angle PTZ camera that also can track a moving presenter automatically while shooting video. Combining a high-performance pan/tilt/zoom camera, compact design and AREC's excellent motion-sensitive tracking technology, AREC CI-T25H is ideal for small to mid-size conference room or lecture capture, and is easy to move and work between meeting rooms.



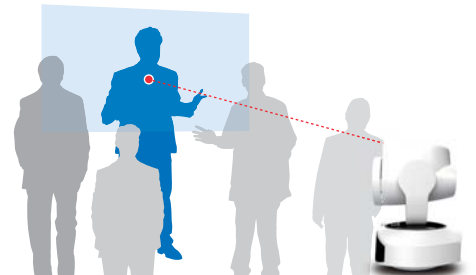


- Capable of production quality Full HD video output up to 1080/60p via HDMI, USB and IP transmission
- Easy integration with various video conferencing softwares and hard codec system
- Compact and affordable professional PTZ conferencing cameras with superior auto-tracking technology
- Plug-and-play compatibility: USB connectivity to PC and Laptop
- Featuring a 5x optical zoom that delivers smooth pan, tilt, and zoom-in performance
- Automatic tracking without a camera operator, keeping the presenter in frame while shooting video
- Accurate and smooth tracking performance. Superior continued smooth movement even in situations where a presenter is writing on a whiteboard or close-up shots, just like a professional cameraman does
- Able to start automatic tracking while turning on the positioner's power, without complicated setting
- Enable to move and work between meeting rooms freely
- Professional integration capabilities including RS-232 and VISCA protocol. IP control available
- Wide range Pan/ Tilt/ Zoom actions, perfect fit for small to mid-size conference rooms or enterprise training rooms

## Main Features

### Automatic Tracking and Hands-Free Control

AREC CI-T25H, adopting AREC's motion-sensitive tracking technology, makes tracking automatically and precisely. There is no interference from any other moving people. AREC's tracking technology also provides flexibility, enabling users to move and use CI-T25H between meeting rooms freely without complicated setting.



### Accurate and Smooth Tracking Performance

In order to capture presenter's best performance, AREC CI-T25H provides smooth tracking technology, ensuring that presenter is always in close-up, even if that person turns their back to the audience or walks back.



### Professional Video Quality for Conference Rooms

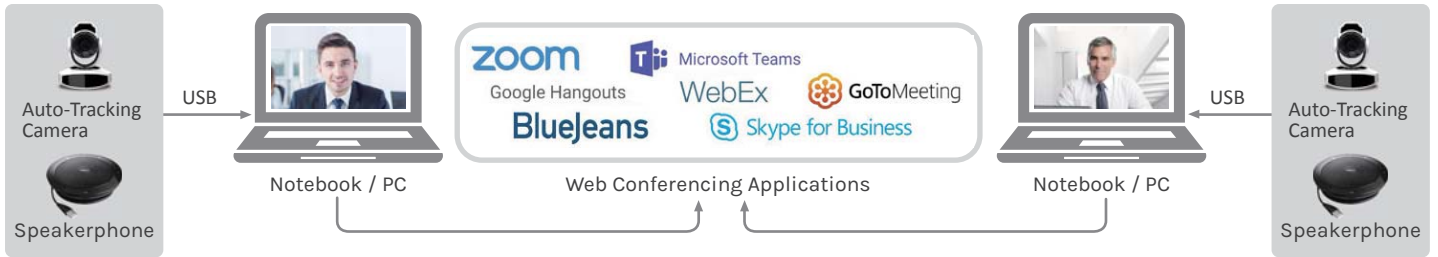
AREC CI-T25H Auto-Tracking PTZ Camera, with 270 degree rotation, a 60 degree tilt range and 5x zoom, makes pro-quality Full HD 1080p video in a wide range of shooting conditions.



## Services and Applications

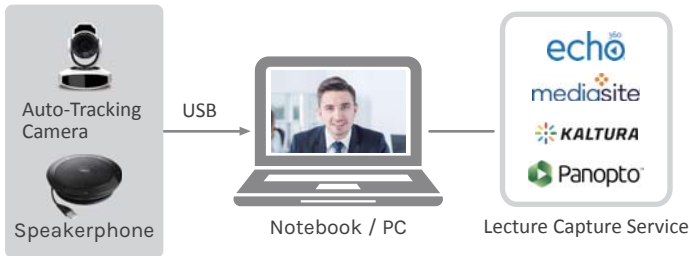
### Compatible with Popular Web Conferencing Applications

AREC CI-T25H works seamlessly with all major video conferencing software through a plug-and-play USB connection. Coming with a USB Speakerphone, it's easy to get your collaborative meeting with crystal-clear voice ensures everyone is heard.



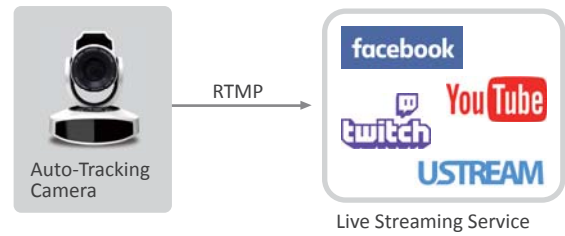
### Compatible with Lecture Capture Service

Via USB and IP transmission, AREC CI-T25H is compatible with various lecture capture platform, providing high-quality video for lecture recordings.



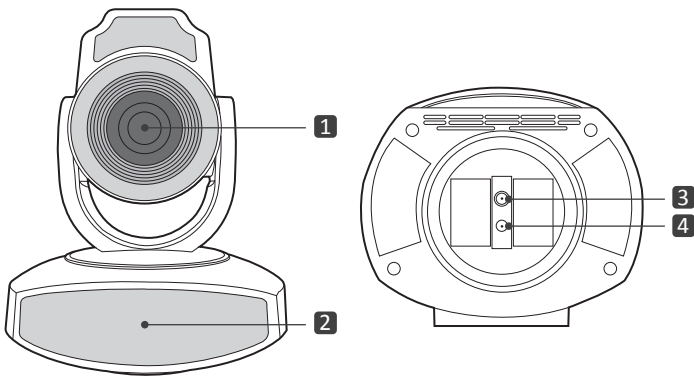
### Supporting Live Streaming Service

Via RTMP, AREC CI-T25H can stream live video to all popular CDNs, such as Youtube, Facebook, Twitch, and Ustream.

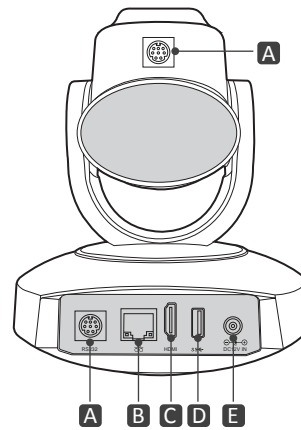


## Product Appearance & Connectors

### CI-T25H

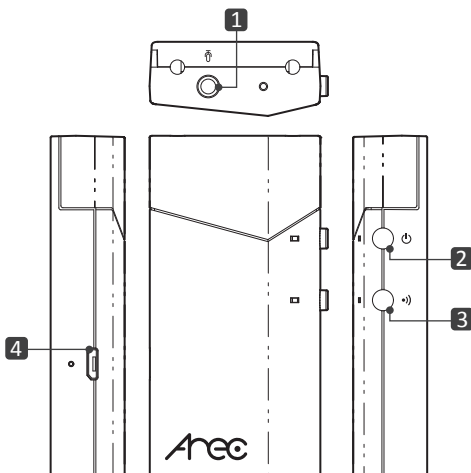


### CI-T25H Interface



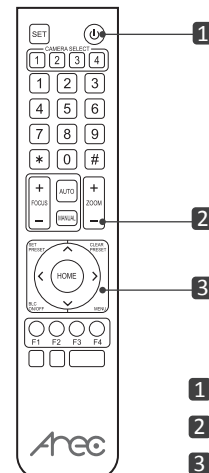
- A** RS-232 port for auto tracking
- B** Ethernet RJ-45
- C** HDMI output
- D** USB 3.0 output
- E** Power (DC 12V)

### AM-600



- 1** Ø3.5 audio input jack  
(workable with AREC Media Station)
- 2** Power / tracking on-off
- 3** Microphone pairing / mute  
(workable with AREC Media Station)
- 4** Power (Micro USB port)

### Remote Controller



- 1** Power on-off
- 2** Zoom in/ Zoom out
- 3** Camera direction control

## Specifications



Model Name	CI-T25H Auto-Tracking Camera
Auto-Tracking Technology	AREC's motion-sensitive and smooth tracking technology
Auto-Tracking Range	3~7m, auto-zoom, auto-focus
Image Sensor	1/2.8" progressive CMOS
Max. Resolution	1920x1080 @ 60fps (IP Streaming) 1920x1080 @ 60fps (HDMI/USB 3.0)
Optical Lens	5x optical zoom
Pan/Tilt Rotation	-135°~+135°, -30°~+30°
Minimum Illumination	0.5 lux @ F1.8
Focal Length	3.1 - 15.5mm
Iris	F1.8 (wide) / F2.8 (tele)
View Angle	83.7° (wide) / 20° (tele)
Video Compression	H.264
White Balance	Auto / Manual / One Push
Image Setting	BLC / WDR / 2D & 3D noise reduction
Video Output Port	HDMI + USB 3.0 + IP (RJ-45)
Control Port	RS-232
Control Protocol	VISCA/Pelco-D/Pelco-P
Network Protocol	RTSP, RTMP, ONVIF
Network Interface	RJ-45, 100Mbps Ethernet
Dimension (L x W x H)	126.7 x 151.2 x 179.5 mm
Weight	1.45kg
Positioner	AM-600
Control Buttons	Power/ Tracking On-Off, Microphone Pairing/ Mute
Tracking Effective Distance	Working Distance 3~7m
Microphone Effective Range	12m radius (only with AREC Media Stations)
Power Supply	Built-in rechargeable lithium battery
Power Input	Micro-USB
Power Consumption	4 hours, after fully charged
Dimension (L x W x H)	82 x 40 x 18 mm
Weight	70g



AREC Inc. | sales@arec.com  
 Headquarters: Taipei, Taiwan Address: 3F, No. 367, Sec.2, Wenhua RD.,  
 Banqiao Dist., New Taipei City 220, Taiwan (R.O.C)  
 TEL: +886-2-8259-5060

Exclusive Representative in Europe, Africa, Latin America and CIS Countries  
 ADENA Limited | www.a-dena.com  
 E-MAIL: yakov@a-dena.com  
 TEL: +886-2-8712-1882