

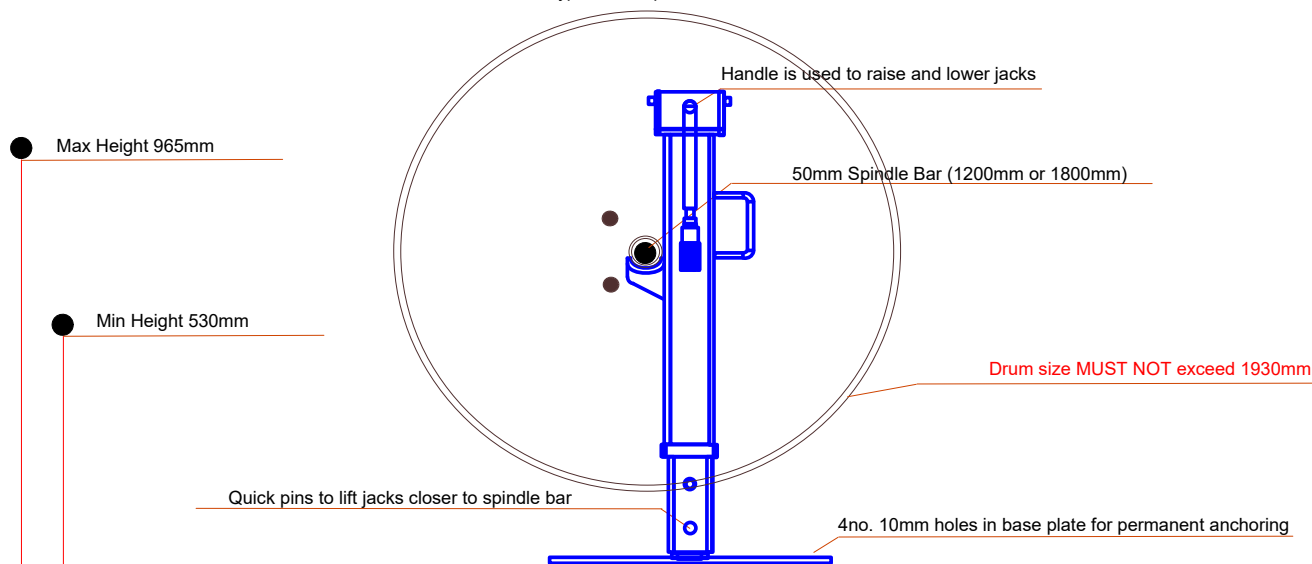
Weight Each: 34 Kg per jack
 Capacity: 6000 Kg (Pair of 3t Jacks)
 Lift height: 435 mm
 Min Height: 530 mm
 Max Height : 965 mm
 Base Size: 300 x 460 mm

- Inspected and certified
- Designed for heavy duty use
- Sturdy base plates
- Suitable for 1060-1930mm diameter cable drums
- Robust and easy to use

WARNING!!!
 NOT TO BE USED WITH RISERS
 DO NOT EXCEED MAX DRUM SIZE 1930mm

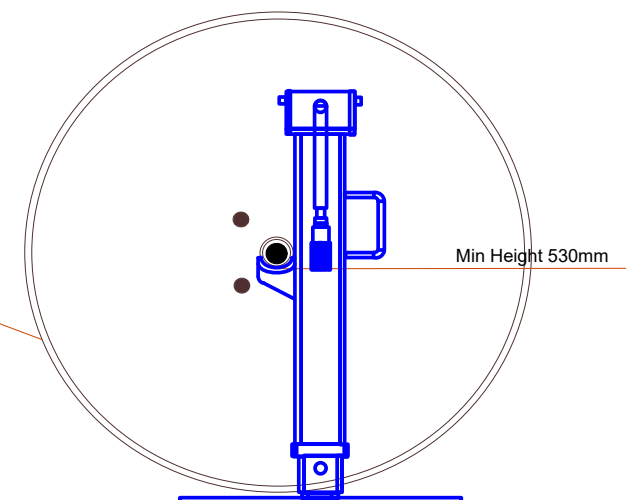
** PLEASE NOTE DRUMS ARE ONLY FOR ILLUSTRATION

Typical example of raised Jack



** PLEASE NOTE DRUMS ARE ONLY FOR ILLUSTRATION

Typical example of lowered Jack



6t Jack Set - (Pair of 3t MJ3 Jacks)

ALL DIMENSIONS IN MM

SPECIFICATIONS ARE SUBJECT TO CHANGE WITHOUT NOTICE

DO NOT SCALE DRAWING

ALL DIMENSIONS ARE APPROXIMATE