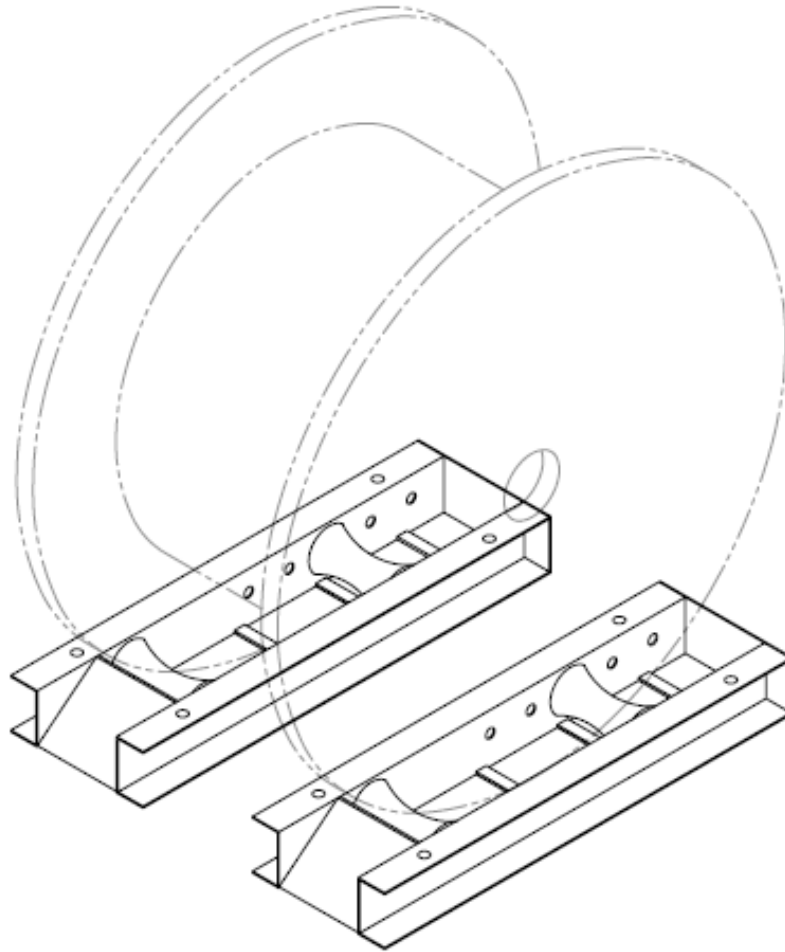


# Cable Drum Rotator (Pair) Max Payload:1500Kg

Ref:100.1.19



TYPE	ALL STEEL WELDED
FINISH	PAINTED
ROLLERS (DIABOLO SHAPED)	1 FIXED, 1 ADJUSTABLE AND FITTED SEALED BALL BEARING
DRUM WEIGHT (MAX)	1500 kg
DRUM DIAMETER (MAX)	2400 mm
DRUM DIAMETER (MIN)	300 mm
DRUM WIDTH	ADJUSTABLE
LENGTH	1000 mm
WIDTH	225 mm
HEIGHT	120 mm
WEIGHT	54 kg PER PAIR