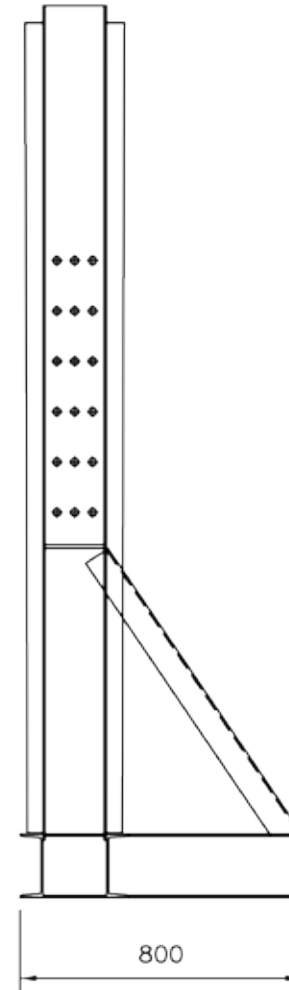
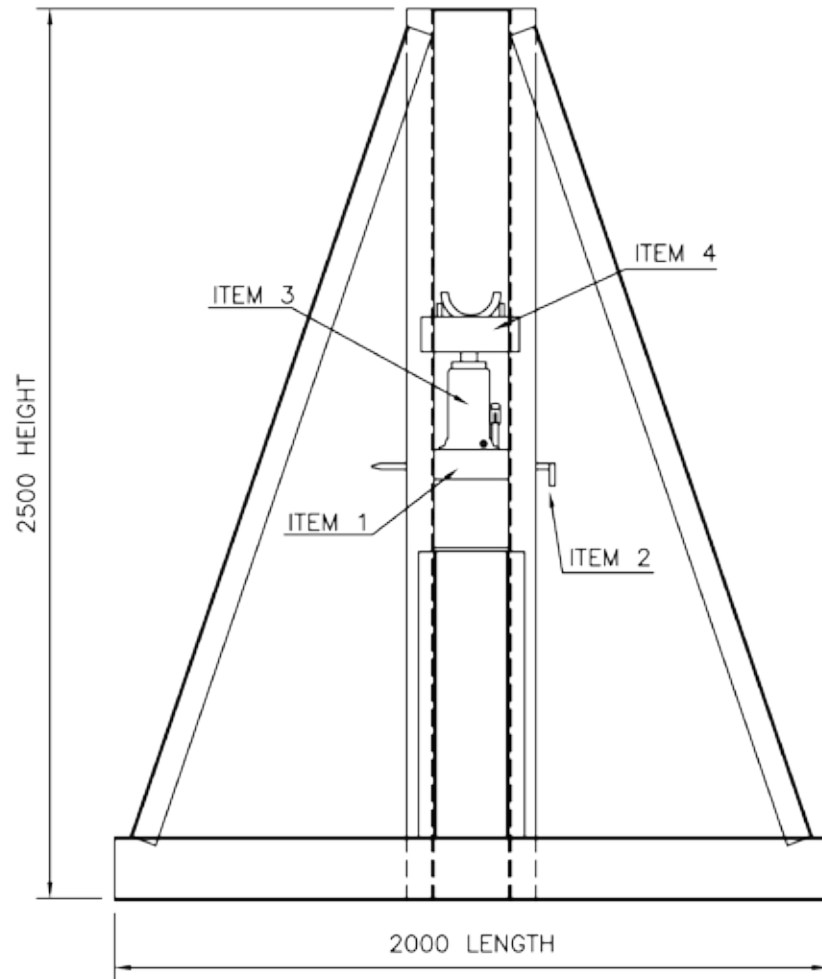


ALL DIMENSIONS IN mm U.O.S.

DO NOT SCALE DRAWING

ALL DIMENSIONS ± 1 mm U.O.S.



- ITEM 1 - JACK CARRIER
- ITEM 2 - STAKE PIN (3 PER UNIT)
- ITEM 3 - HYDRAULIC JACK
- ITEM 4 - SPINDLE CARRIER

JT30L JACK TOWER FITTED
WITH OUTRIGGER LEG

TO PICK UP DRUMS FROM
3000 DIA TO 4500 DIA

COMBINED LIFT CAPACITY 30 TONNE

