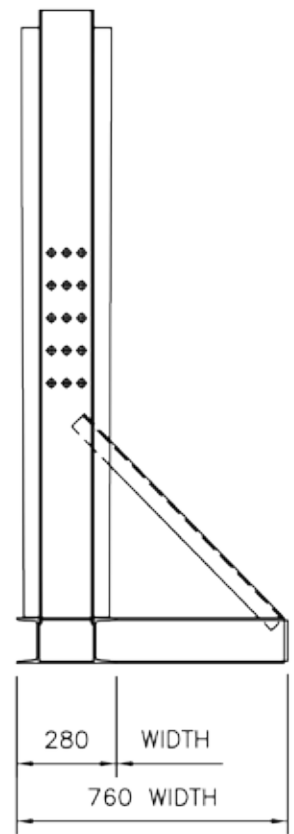
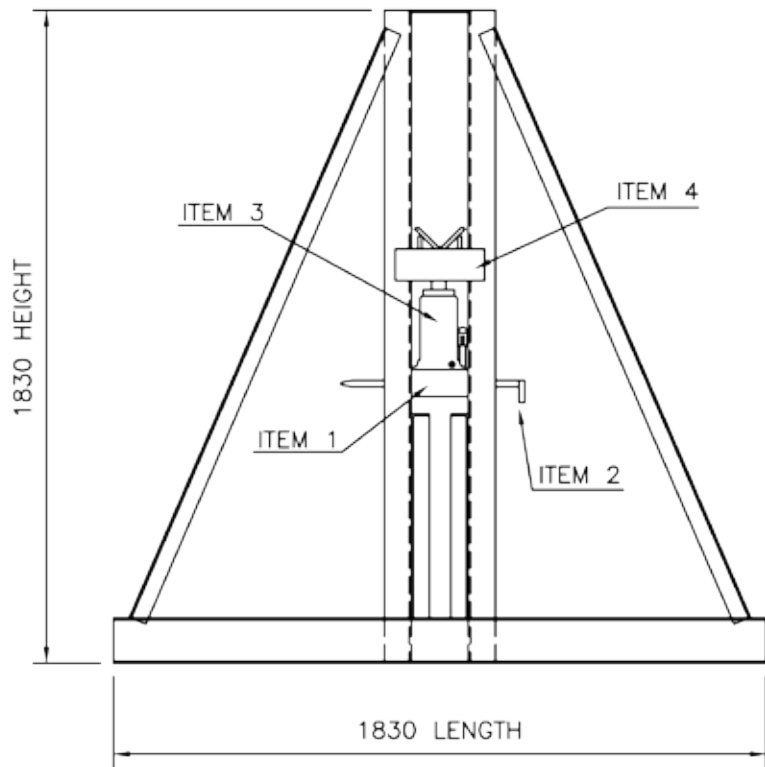


ALL DIMENSIONS IN mm U.O.S.	DO NOT SCALE DRAWING	ALL DIMENSIONS ±1mm U.O.S.
-----------------------------	----------------------	----------------------------



- ITEM 1 - JACK CARRIER
- ITEM 2 - STAKE PIN (3 PER UNIT)
- ITEM 3 - HYDRAULIC JACK
- ITEM 4 - SPINDLE CARRIER

JT20 JACK TOWER FITTED WITH
OPTIONAL OUTRIGGER LEG

TO PICK UP DRUMS FROM
2300 DIA TO 3400 DIA
WITH OUTRIGGER LEG

TO PICK UP DRUMS FROM
1480 DIA TO 3400 DIA
WITHOUT OUTRIGGER LEG

COMBINED LIFT CAPACITY 20 TONNE

