

Haacon Cable Reel Jack 8.0t Per Jack. (16.0t PAIR)  
HA-230747-K (100-6-1)



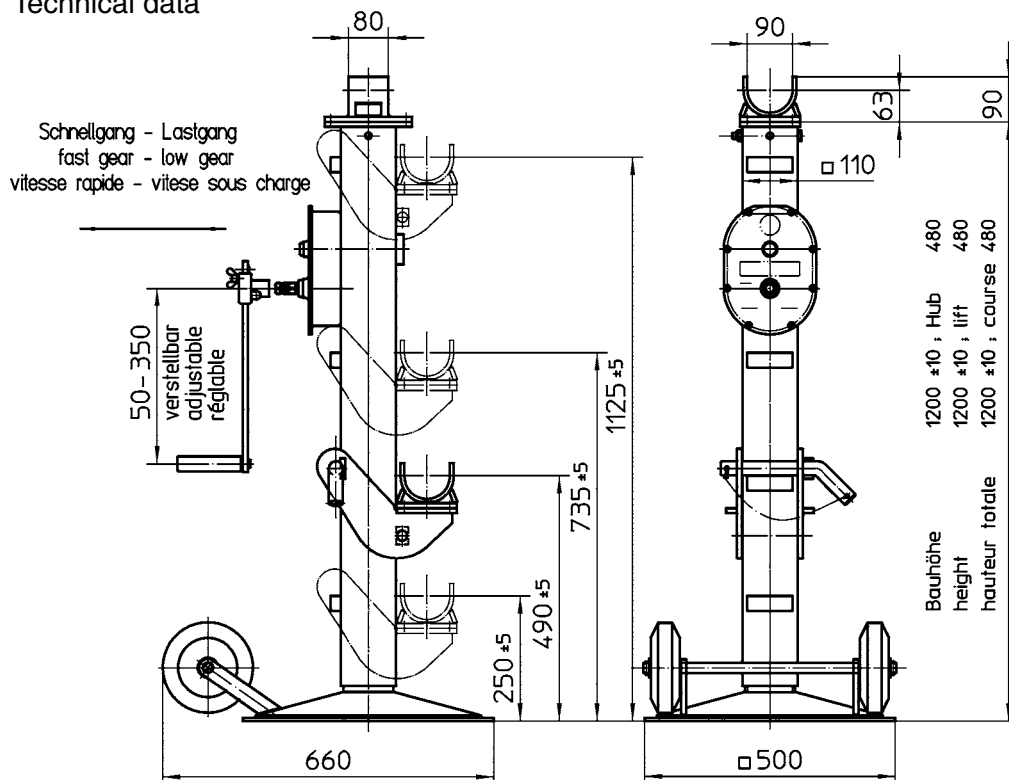
**Technical data**

**100-6-1**

max. load on head claw	8 t (Per Jack)
max. load on lower claw	7 t (Per Jack)
o/a height	1.200 mm
lift	480 mm
lift / crank turn:	
– low gear	0,53 mm
– fast gear	5,3 mm
crank force at 8 t	110 N
weight approx.	75 kg (Per Jack)

- mechanical jacks to lift and support cable drums of up to 3.4 M dia
- secure and efficient uncoiling of cables
- robust spindle jacks conform to the German BGV D8 Safety Regulations and support the load securely at any desired height
- large ground plate providing a high standard of stability
- easy to range with the solid rubber wheels attaches to the ground plate

**Technical data**



\*\*\*\*Excludes Spindle and Cable Drum

**haacon**  
group

Industriehebetchnik