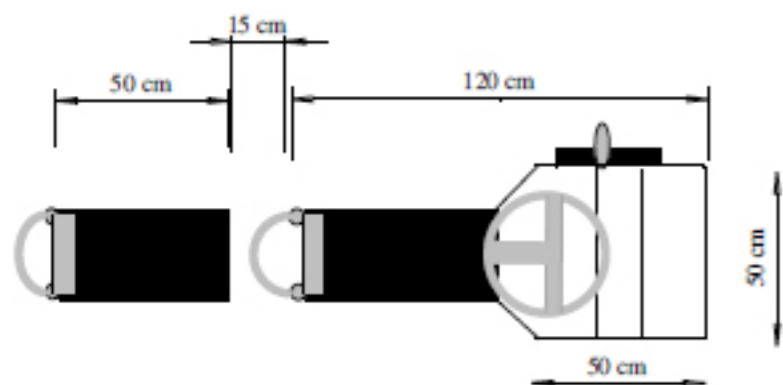
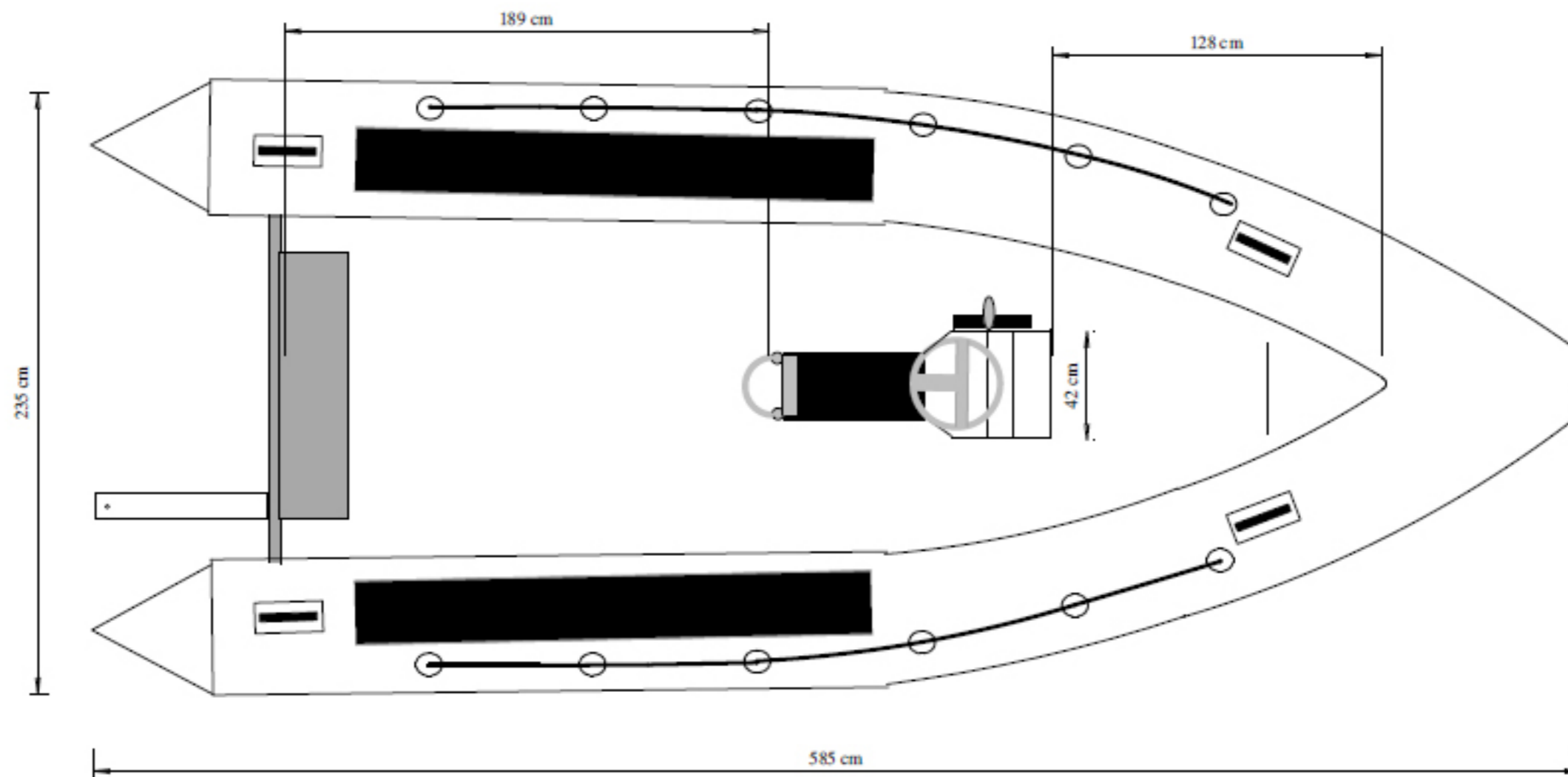
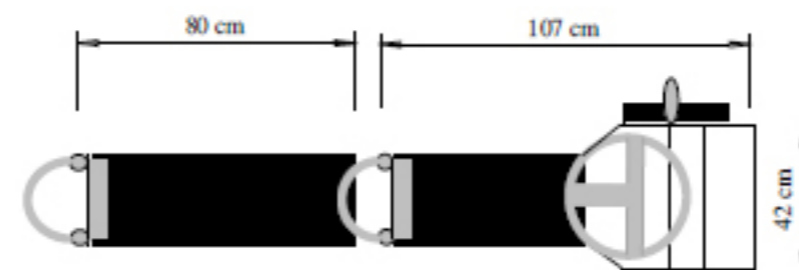


# XS Ribs: XS 585



**Single Module - Large Console**



**Double Module - Small Console**

## Drawing Information

Date	December 2011
Client	Stock
Drwg Nos	V 1
Scale	33:1