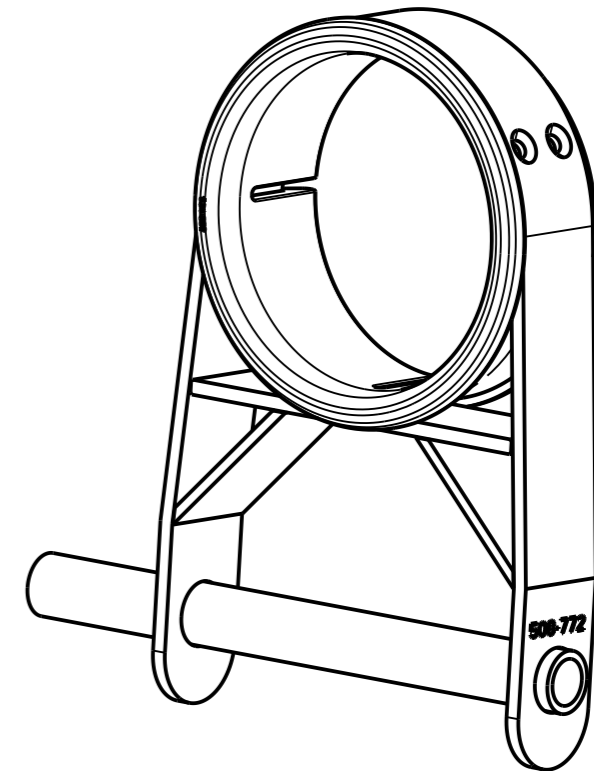


1:2



OLD MODEL
508-772-01

2	1	BUSHING BOW SPRIT	ø110/ø90x44	534-882
1	1	BOW BRACKET GENN POLE	ø100	508-782
item Qty		Description	Dimension	Part No.

		BOW BRACKET ASSY		
		X X		
		Estimated mass	Weight	Volume
		properties:	[.]g	[.]cm3
Tolerance acc. to SS-ISO 2768-x unless otherwise stated		Replaced by	Replacing	File
				3050
Drawn	Date	Scale	Revision	Release
JG	09-06-08	1:1	-	Production
			Approved	Part No.
				508-782-04

No	Qty	Revision	Date	Sign