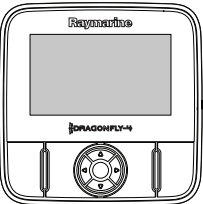

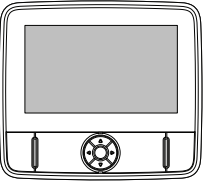


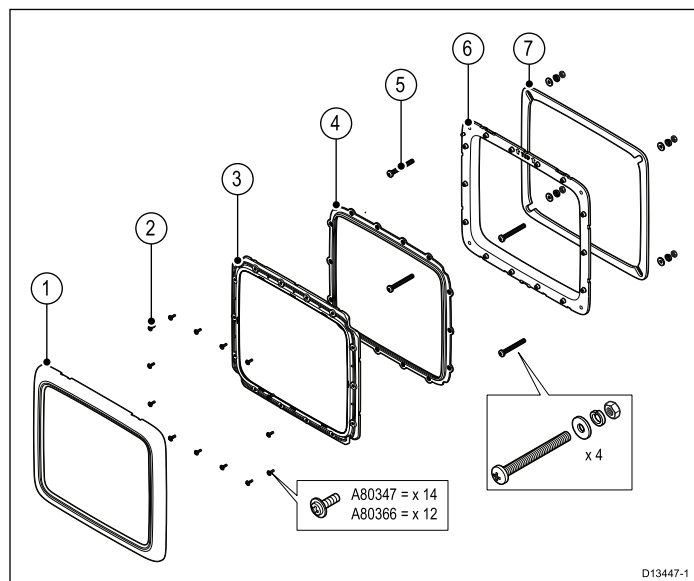
Dragonfly Surface Mount Adaptor Installation Instructions

Compatible products

The surface mount kit can be used with the following products:

	Display	Adaptor kit part number
	<ul style="list-style-type: none"> Dragonfly-4 DV Dragonfly-4 DVS Dragonfly-4 Pro 	A80366
	<ul style="list-style-type: none"> Dragonfly-5 DV Dragonfly-5 DVS Dragonfly-5 M Dragonfly-5 Pro 	A80366
	<ul style="list-style-type: none"> Dragonfly-7 Pro 	A80347

Parts supplied



- Adaptor Bezel
- Adaptor Clamp Fixings (M2,5x8 pozi pan head flanged)
A80347 = x 14; A80366 = x 12
- Adaptor Clamp
- Front Seal
- Adaptor Fixings (M4x40 pozi pan head bolt, washer, spring washer and nut)

- Surface Mount Adaptor
- Rear Gasket



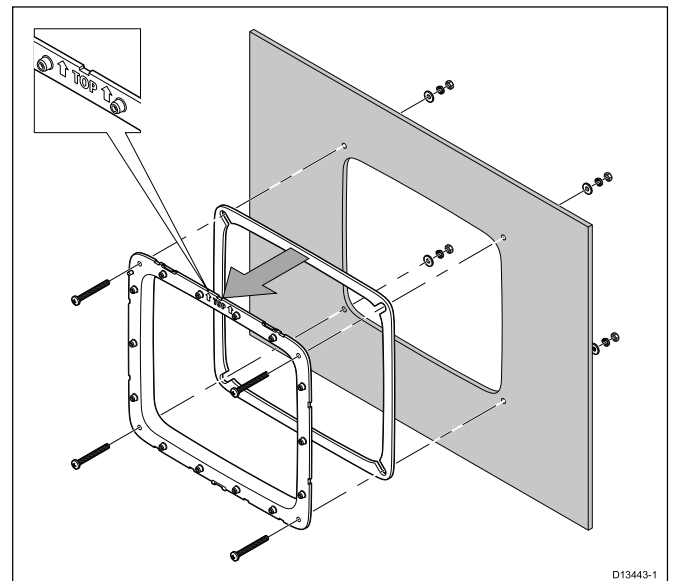
Warning: Marine-grade sealant

Only use non-acetate based marine-grade sealants. Using an acetate based sealant can cause damage to plastic parts.

Surface mounting

Before mounting ensure that you have:

- selected a suitable location (a clear, flat area with suitable clearance behind the panel is required).
 - installed the transducer and routed the power / transducer cable to the selected location.
- Fix the supplied mounting template to the selected location, using masking or self-adhesive tape.
 - Using a suitable hole cutting saw, make a hole in each corner of the cut-out area.
 - Using a suitable saw, cut along the inside edge of the cut-out line.
 - Ensure that the Surface Mount Adaptor fits into the removed area and then file around the rough edge until smooth.
 - Drill 4 holes as indicated on the template to accept the adaptor's fixings.
 - Remove the backing from the Rear Gasket and place onto the back of the Surface Mount Adaptor, pressing firmly onto the flange.
 - Ensuring correct orientation, place the Surface Mount Adaptor into the prepared hole and secure using the Adaptor Fixings (Bolt, washer, spring washer and nut) provided.

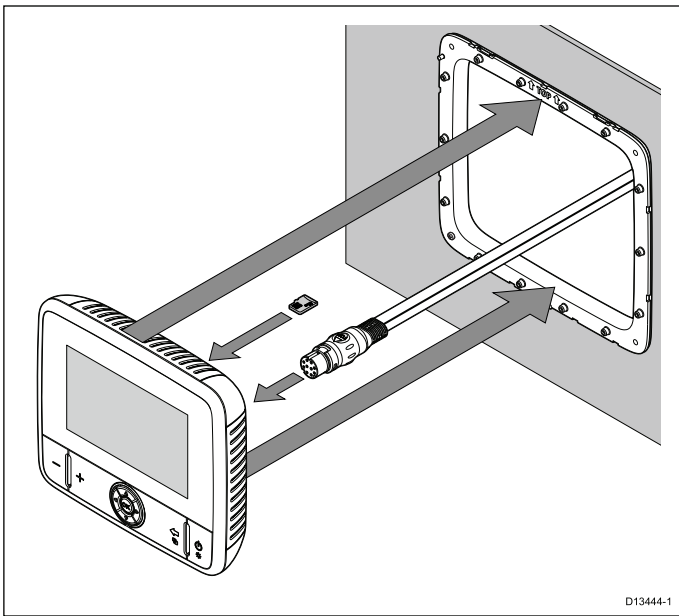


Note: The supplied Rear Gasket provides a seal between the Surface Mount Adaptor and a suitably flat and stiff mounting surface or binnacle. The Rear Gasket should be used in all installations. It may also be necessary to use a marine-grade sealant, if the mounting surface or binnacle is not entirely flat and stiff or has a rough surface finish.

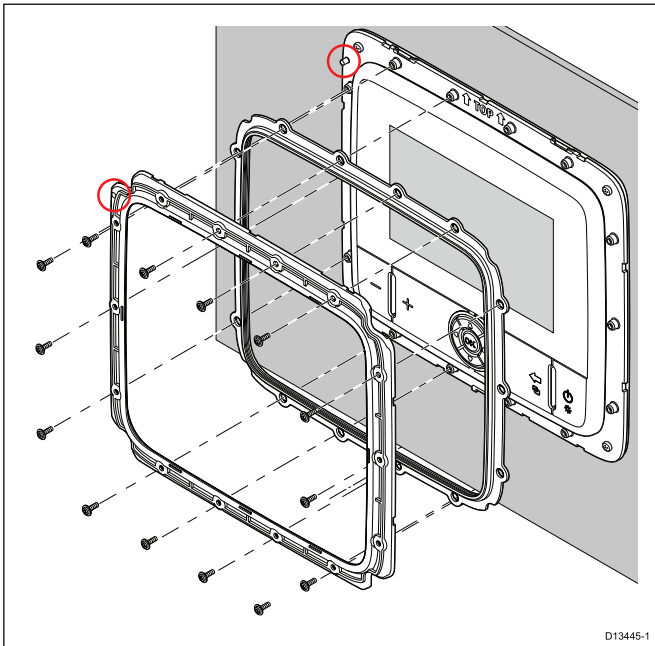
- Feed the cable through the prepared hole and connect to the display.
- If required, insert your Cartography chart card or MicroSD card into the card reader.

Note: Once surface mounted, the MicroSD card reader is not easily accessible.

- Ensure that the card reader's cover is correctly closed to prevent water ingress.
- Place the display into the Surface Mount Adaptor and hold in position.

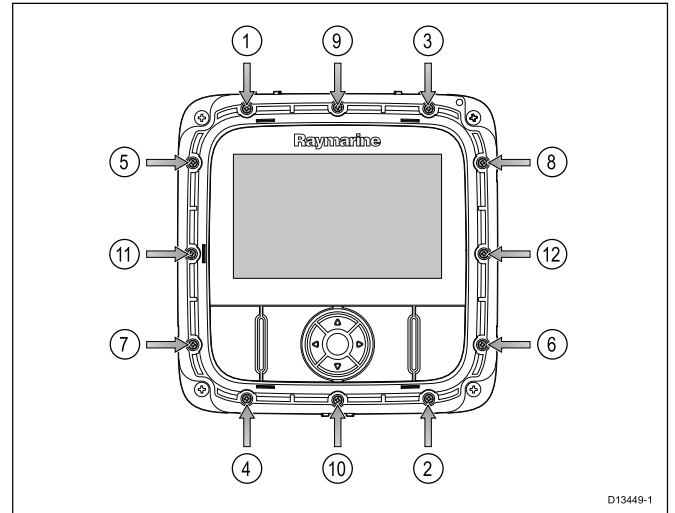


12. Attach the Front Seal to the Surface Mount Adaptor, ensuring it is correctly seated all the way around.
13. Place the Adaptor Clamp over the Front Seal, ensuring that the locating hole in the Adaptor Clamp lines up with the locating pin on the Surface Mount Adaptor.
14. Secure the Adaptor Clamp using the supplied fixings (screws), ensuring that they are all finger tight.

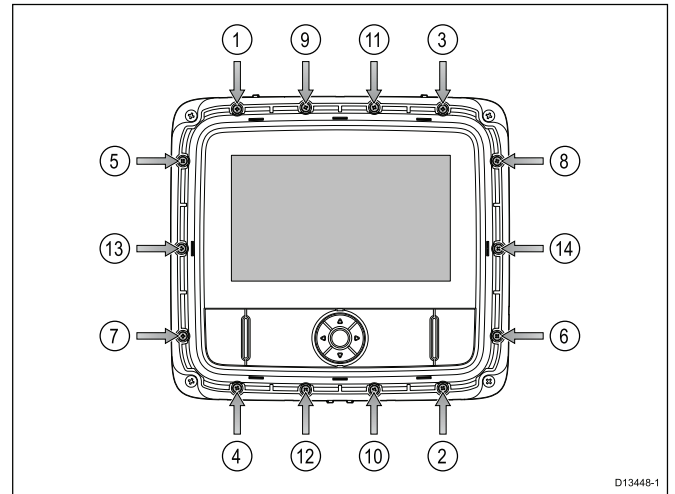


15. Using the sequence shown below for your adaptor, tighten the screws to a torque of 3.5 to 4.0 Kgf.cm.

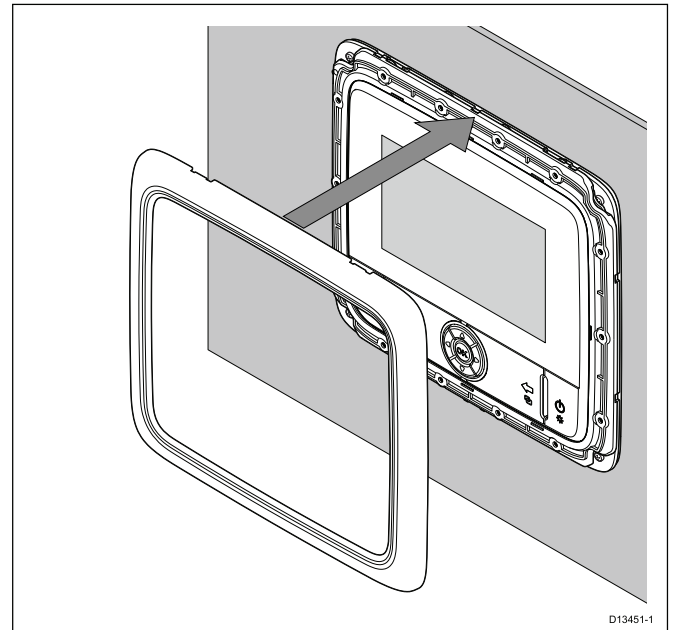
Dragonfly-4 and Dragonfly-5 (A80366) (12 x screws)



Dragonfly-7 Pro (A80347) (14 x screws)



16. Attach the Adaptor Bezel.



An optional suncover is also available for surface mount installations:

- A80367 = Dragonfly-4 and 5
- A80348 = Dragonfly-7 Pro