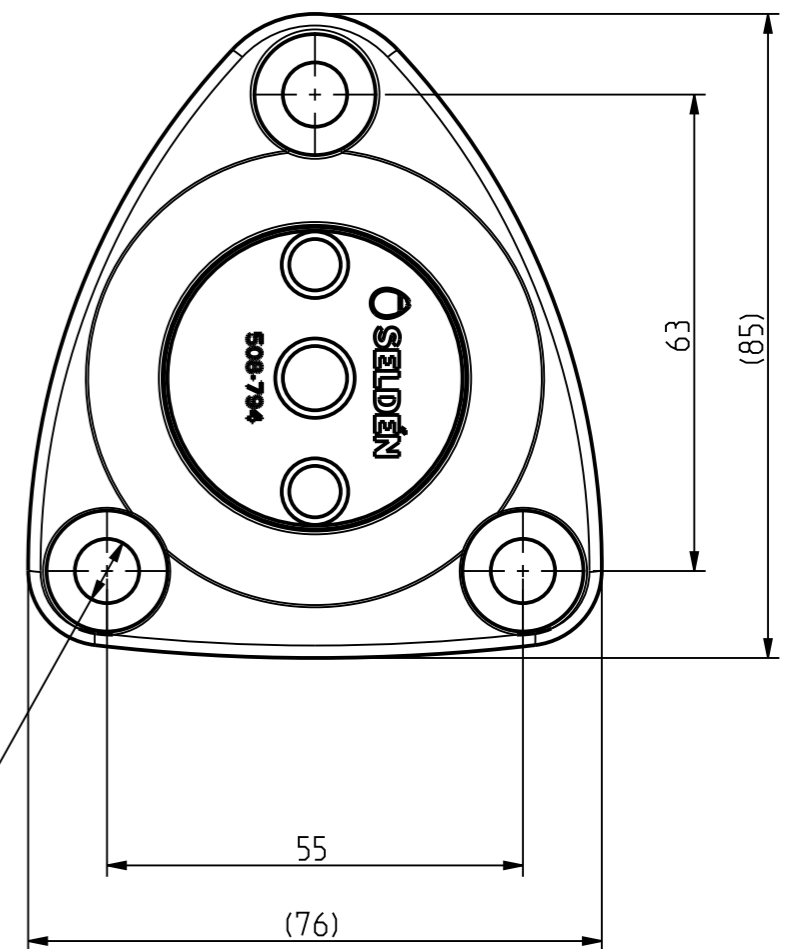
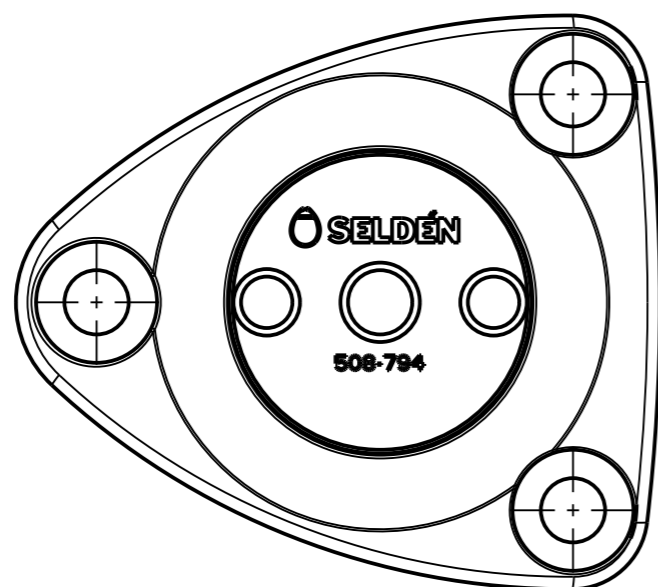


THIS SIDE OF RING TO FACING FORWARD



RING CAN BE FITTED IN ANY ANGLE TO PLATE

3x $\varnothing 8.5 \pm 0.2$



No	Qty	Revision	Date	Sign

	BOW BARCKET GENN POLE FOR SECTION $\varnothing 99$ AND 101					
	Estimated mass properties:		Weight [.]g	Volume [.]cm ³		File 3040
Tolerance acc. to SS-ISO 2768-x unless otherwise stated		Replaced by	Replacing	Approved		Part No. 508-794-05
Drawn JG	Date 09-04-15	Scale 1:1	Revision -	Release Production	Approved	