



IPAD FLOOR STAND

iP22



ipad anti-theft mounting holder is adjustable and flexible, bracket an rotating 360 degrees.

It is with lockable devices , no worry other can take ipad or other tablet pc away.



tablet pc security lock display bracket is like a small box, you can open the cover and put ipads/tablet pc in,close the cover and lock it.

the soft pad to protect ipads and tablet pc from scratches.work universal for 9.7" tablet pc. eStand anti-theft display show/retailing floor stands mounting support are made of aluminum alloy,making prop more strong.and its metal texture makes it nicer.



Holder: Aluminium Alloy.
Holder Max Loading: 1KG.
Holder Size: 24.6X19.2CM.
Holder Compatible Tablet Size: for iPad 2/3/4 only.

Tube: Aluminium Alloy.
Tube Surface: Oxidation.
Tube Size: 110X3.5X3.5cm.

Base : iron.
Base surface: Painting.
Base Size: 25X25cm.
Base N.W.: 4.5KGS.
Colour: black.
Holder with lock.



TABLET FLOOR STAND

Ts21



HEIGHT ADJUSTABLE

Holder: Aluminium Alloy.
 Holder Surface: Oxidation.
 Holder Max Loading: 1KG.
 Holder Max Depth: 20mm.
 Holder Compatible Tablet Size: 5 to 12.6 inches (128 mm to 320mm). It also can fix a mobile phone & e-reader.
 Gooseneck Material: Iron.
 Gooseneck Surface: painting.
 Gooseneck Length: 567mm.
 Aluminium Adjustable Tube Stretching from 480mm to 760mm.
 Color: Silver.
 Base Cover: Steel, surface: painting.
 Base :iron & plastic mixed.
 Base size: 265mm X 265mm.



Flexible connector allows tilt and swivel in all direction



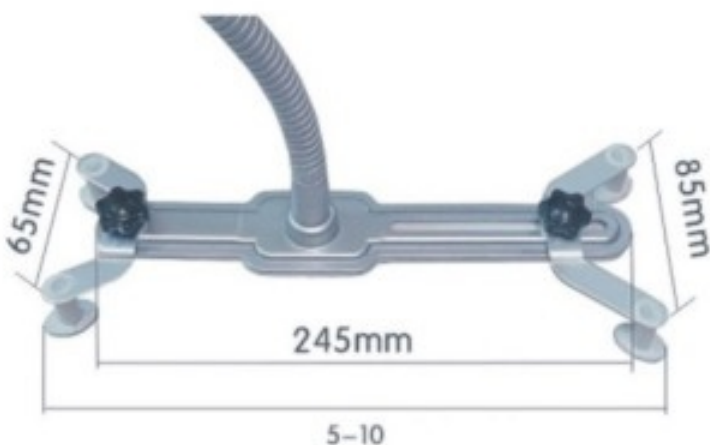
Rigid connector allows stretch up and down (ipad height adjustment range 0.17m - 1.5m)



Heavy duty base lets it stand reliably and easily

ROTATING 360°

Compatible tablet size : 5 inch to 12.6 inch (128mm to 320mm) ➔
 Holder maximum loading : 1kg.
 Holder maximum depth : 20mm



5-10

IPAD DESKTOP STAND

for Apple ipad mini 1 / 2 enclosure

ip9a



tablet pc security lock display bracket is like a small box, you can open the cover and put ipads/tablet pc in, close the cover and lock it.

for Apple ipad 2 / 3 / 4 enclosure

ip9b



ipad security accessories , with locking system anti-theft display holder for 9.7" tablet.

fashion and high quality. full made of aluminium alloy with surface oxidation finish. Fashion and high-grade appearance, can be located in high commercial activities,such as exhibition show, new product/service launches,hotel payment, and many other places.also can be used in some personal places, place ipad stands in the retailing display for sales.

1,aluminium alloy metal made tablet pc display stand with security system, with high nice appearance and sturdy function.

2,mountin bracket for Apple iPad 2/3/4 or other tablet pc with same size and thickness.with security system for locking ipad and other tablet pc in the mounting box inside, keep tablet pc safe in the carrier, anti-theft tablet frame pc accessories ,no worries others can stole pc tablet.

3,tablet pc security display holder, for secure mounting on desk/counter ,with adjustable turning mechnism ,ipad frame can be adjustable and rotating as needed.

4,anti-theft tablet ipad display holder, with V-shaped base,can be keep stability on the desktop or table or counter.

5,welcome to custom mad other size tablet pc security stand holder,such as samsung tab, google tablet and other ebook.

Holder: Aluminium Alloy.
Holder Surface: Oxidation.
Holder Max Loading: 1KG.
Holder Size: 24.6X19.2CM.
Holder Compatible Tablet Size: for iPad 2/3/4 only.

Tube: Aluminium Alloy.
Tube Surface: Oxidation.
Tube Size: 20X3.5X3.5cm.

Base : iron.
Base surface: Painting.
Colour: Silver.



Adjustable & Flexible Bracket and Rotating 360°.



tablet pc security lock display bracket is like a small box, you can open the cover and put ipads/tablet pc in, close the cover and lock it.

the soft pad to protect ipads and tablet pc from scratches. work universal for 9.7" tablet pc. mounting support are made of aluminum alloy, making prop more strong. and its metal texture makes it nicer.

iP03



Ergonomic design stand.

4 height adjustable, and with Eco-Friendly and strong material.

Rotary 360 degrees makes it more convenience to use.

Material: ABS

- Size/mm: 280*240*53mm

- slim design.

- store in narrow space.

- can be used for i-pad and tablets.



WALL / DESK MOUNT FOR IPAD & TABLET PC

Holder: Aluminium Alloy.
Holder Surface: Oxidation.
Holder Max Loading: 1KG.
Base : Aluminium Alloy.
Base with 4 drill holes.



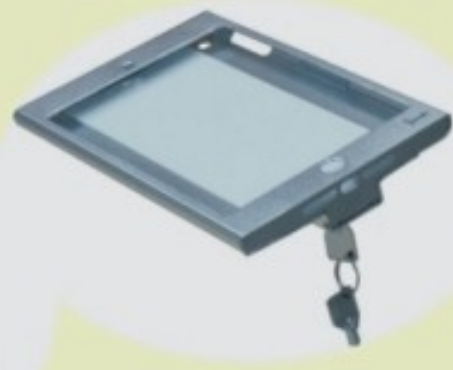
(Screw on wall or desktop)



Adjustable
& Flexible
Bracket
and
Rotating 360°



wall / desk stand newest anti-theft stand accessories, with security bracket enclosure, made of metal—aluminum alloy, which make stand kiosk stable function and fashion. with screwed base, can be fixed into wall or table or other place. can be used in the public places and commercial situation. with adjustable parts, can be 360 degree in horizontal direction and minus/plus 30 degree in vertical direction.



Metal Lock Case for iPad mini 1 / 2 only.

tablet pc security lock display bracket is like a small box, you can open the cover and put ipads/tablet pc in, close the cover and lock it.



the soft pad to protect ipads and tablet pc from scratches. work universal for 9.7" tablet pc. mounting support are made of aluminum alloy, making prop more strong. and its metal texture makes it nicer.

tablet pc security lock display bracket is like a small box, you can open the cover and put ipads/tablet pc in, close the cover and lock it.

Metal Lock Case for iPad mini 2 / 3 / 4 only.

Holder Size: 20.5*14CM.

iP4S

Holder Compatible Tablet Size: for iPad mini 1 / 2 only.

Tube Size: 19X3.5X3.5cm.

Tube: Aluminium Alloy.

Tube Surface: Oxidation.



Holder Size: 20.5*14CM.

iP4

Holder Compatible Tablet Size: for iPad mini 1 / 2 only.

Tube Size: 20X3.5X3.5cm.

Tube: Aluminium Alloy.

Tube Surface: Oxidation.



iP10

Holder Size: 24.6X19.2CM.

Holder Compatible Tablet Size: for iPad mini 2 / 3 / 4 only.

Tube Size: 20X3.5X3.5cm.

Tube: Aluminium Alloy.

Tube Surface: Oxidation.



iP7

Holder Size: 24.6X19.2CM.

Holder Compatible Tablet Size: for iPad 2 / 3 / 4 only.

Tube Size: 26X2.8cm (Length X Dia.)

Tube: Iron

Tube Surface: Painting.



RIFE TECHNOLOGIES

Delhi Office:
362, Vardhman Plaza - II, J-Block, Community Centre, Rajouri Garden, New Delhi - 110027

(011) 2516-7799, 2592-5555
sales@rifeindia.com
www.rifeindia.com

HongKong Office:
Ergonomic Corporation (Hong Kong) Limited. 2nd floor Eton tower 8 , Hysen Avenue Causeway, Hongkong.

852 - 61819896
rishi@ergohongkong.com , ergohongkong@gmail.com
www.ergohongkong.com